



SUPERIOR[™]
PLASTIC PRODUCTS

2023 VINYL FENCING LIST PRICE BOOK



ABOUT THE COMPANY



We are honored by your interest in Superior Plastic Products.

Our team here at Superior is committed to supplying quality fencing and railing products to help you create beautiful, livable outdoor spaces. We take pride in our work and delight in serving your needs. From our plant in New Holland, Pennsylvania to job sites across North America, we trust our team's commitment to quality is evident.

We appreciate you taking the time to browse this book and see what Superior has to offer to you and your customers. Partnerships with businesses like yours are the key to our success, and we look forward to supplying you with the quality products that have made Superior a leader in low-maintenance outdoor products for over 40 years.

With our gratitude,
 Javan Lapp
 CEO



Superior Plastic Products
 Corporate Headquarters

TABLE OF CONTENTS

COMPANY INFORMATION	4-7
PICKET FENCE	8-45
Deluxe Straight	10-16
Deluxe Concave	17-23
Classic Straight	24-29
Classic Concave	30-35
Columbia Straight	36-38
Columbia Concave	39-41
New England Straight	42-43
New England Concave	44-45
YARD FENCE	46-62
Ramada	48-51
Baron	52-55
Imperial	56-59
Imperial with Lattice	60-61
Model	62
PRIVACY FENCE	64-80
Cambridge Smooth	66-70
Boston	71-80
POST & RAIL FENCE	82-88
2-Rail	83-84
3-Rail	85-86
4-Rail	87-88
ACCESSORIES	90-101
Post Caps, Specialty Caps and Post Trim	91-93
Pickets	94-96
Yard Spokes, Lattice	97
Side Channels, Mounting Brackets	98
Post Mounts	99
Miscellaneous (Fasteners, Tools, Glue, etc.)	100-101
GATE HARDWARE	102-109
Dependa-Bull Hardware	103-104
D&D Technologies	105-106
Post Inserts and Pipe Clamps	107
Gate Blocks, Screws and Sockets	108-109
PLACID POINT LIGHTING	110-113

Prices effective: March 20, 2023

Terms: Net 30 days to approved accounts / Otherwise: Cash, check or money order

Prices F.O.B. New Holland, PA

Prices subject to change without notice.

Special Length Sections cannot exceed maximum standard lengths.

DELIVERY - SALES ORDER PROCEDURE

Your multiplier is x _____

Dear Customer,

We are pleased to inform you of our delivery schedule. We deliver to your area weekly/biweekly on a _____
 Your minimum order amount for free delivery is \$ _____.
 If you do not meet the minimum \$ _____ there will be a \$ _____ delivery fee.

Find order procedure and cutoff time below:

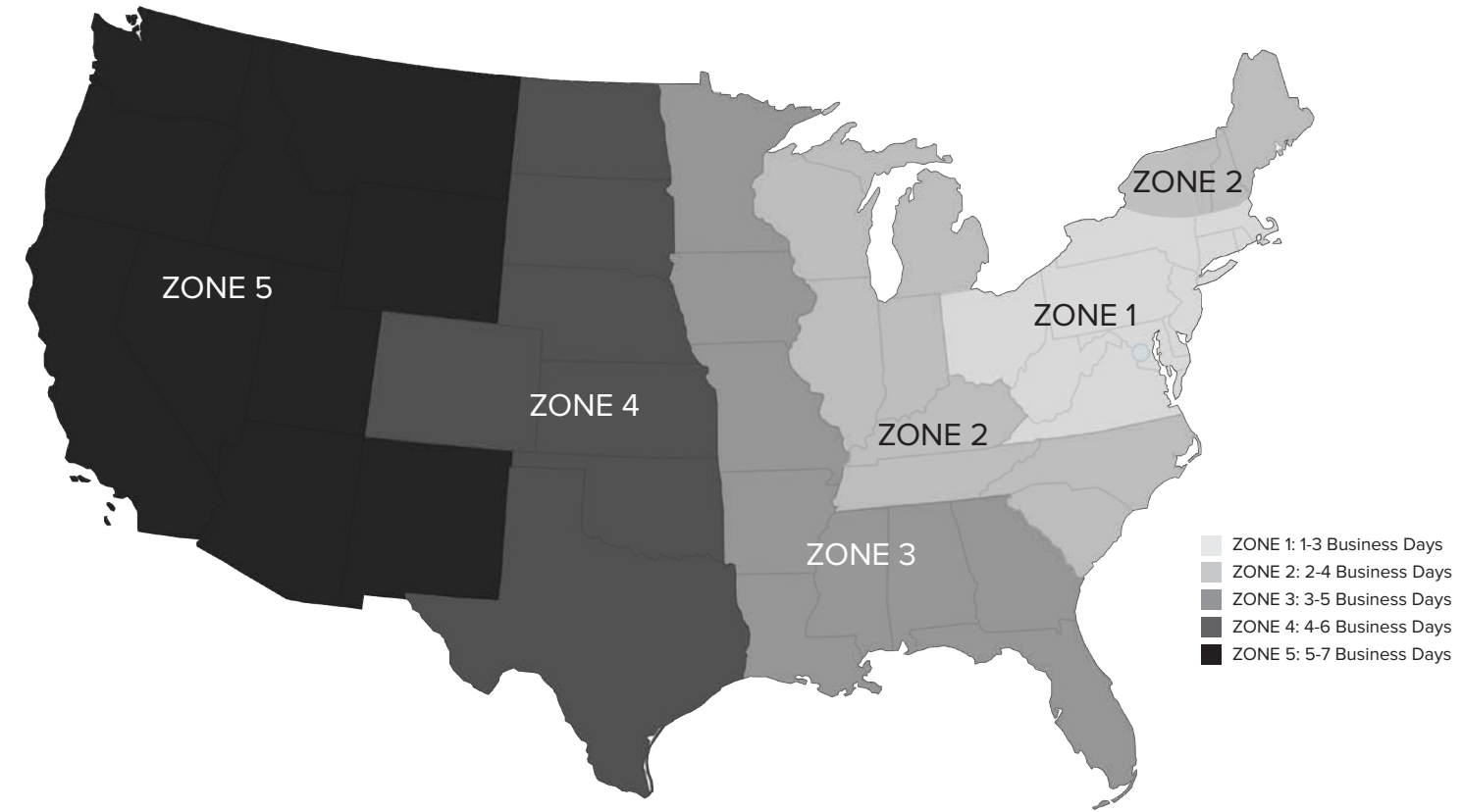
To minimize errors and omissions on customer deliveries, the following Sales Order procedure is required for orders being shipped with Superior trucks:

- We desire to fill all customer orders in as timely a manner as possible. To help us to do so, please place your order as soon as possible. Your next available delivery date will be confirmed on your order acknowledgement.
- Minimum order for delivery by Superior Hauling is \$100.
- Customers with past due accounts need to have their orders in and approved by our accounting department at least three days prior to their scheduled delivery day.
- **Please note that non-standard special orders may require an additional cost, please call for pricing.**
- The dates below may affect your lead times, depending on products ordered. If you are placing an order around a company closure, please call us to determine how your lead times will be affected.

2023 SCHEDULE FOR HOLIDAYS & CLOSURES

Date	Day of the Week	Event	Notes
January 2, 2023	Monday	New Year's Day (obs.)	All Companies Closed
April 7, 2023	Friday	Good Friday	All Companies Closed
May 29, 2023	Monday	Memorial Day	All Companies Closed
July 4, 2023	Tuesday	Independence Day	All Companies Closed
July 28, 2023	Friday	Family Picnic	All Companies Closed
September 4, 2023	Monday	Labor Day	All Companies Closed
November 17, 2023	Friday	Thanksgiving Banquet	All Companies Closed Half Day
November 23, 2023	Thursday	Thanksgiving	All Companies Closed
November 24, 2023	Friday	Floating Holiday	All Companies Closed
December 22, 2023	Friday	Christmas Eve (obs.)	All Companies Closed Half Day
December 25, 2023	Monday	Christmas Day	All Companies Closed
January 1, 2024	Monday	New Year's Day	All Companies Closed

MOTOR FREIGHT SHIPPING



****Prices subject to change without notice due to fluctuation in the cost of freight.****

<p>Zone 1 (PA, NY (South of I-90), MA, RI, CT, NJ, DE, MD, VA, WV, OH)</p> <p>\$200 - \$499 \$150 ** \$500 - \$2,999 \$230 ** \$3,000 - \$5,999 \$475 ** Over \$6,000 Call for quote</p>	<p>Zone 3 (MN, IA, MO, AR, LA, MS, AL, GA, FL)</p> <p>\$200 - \$499 \$290 ** \$500 - \$2,999 \$330 ** \$3,000 - \$5,999 \$600 ** \$6,000 - \$9,999 \$800 ** Over \$10,000 Call for quote</p>	<p>Zone 5 (MT, WY, ID, UT, NV, AZ, WA, OR, CA)</p> <p>\$200 - \$499 \$430 ** \$500 - \$2,999 \$500 ** \$3,000 - \$5,999 \$785 ** \$6,000 - \$9,999 \$1,100 ** Over \$10,000 Call for quote</p>
<p>Zone 2 (NY (North of I-90), VT, NH, ME, MI, WI, IL, IN, KY, TN, NC, SC)</p> <p>\$200 - \$499 \$190 ** \$500 - \$2,999 \$250 ** \$3,000 - \$5,999 \$475 ** \$6,000 - \$9,999 \$500 ** Over \$10,000 Call for quote</p>	<p>Zone 4 (ND, SD, NE, KS, OK, TX, CO, NM)</p> <p>\$200 - \$499 \$340 ** \$500 - \$2,999 \$400 ** \$3,000 - \$5,999 \$650 ** \$6,000 - \$9,999 \$965 ** Over \$10,000 Call for quote</p>	<p>**Additional Costs: \$135 for Residential Delivery \$110 for 8' sections or longer \$210 for 12' sections or longer \$420 for 20' sections or longer</p> <p>**Does not apply for Raw Material Profile orders, please contact us for a quote. (Does not apply to the Superior Hauling delivery program.)</p>

The following procedures will apply and must be followed on all requested returns:

1. A 15% restocking fee will be applied to all returned material that is received its original condition and packaging, and suitable for resale.
2. Only white privacy fence is returnable. All other colors and styles are considered non-standard and are not returnable.
3. All returned materials are subject to inspection and approval upon return to Superior Plastic Products.

If you have any questions please call our Customer Success department at (800) 633-7093

superiorplasticproducts.com

Please visit our website, superiorplasticproducts.com, to find helpful resource downloads and videos.

► **WARRANTY & MAINTENANCE**

- Warranty Information
- Warranty Registration
- Warranty Claim Form
- Vinyl Cleaning Guide

► **BROCHURES**

- Vinyl Railing Brochure
- Vinyl Fencing Brochure
- Vinyl Pergolas Brochure
- Placid Point Lighting Brochure

► **ARCAT**

- ARCAT Profile
- ARCAT CAD Drawings
- ARCAT Specs
- ARCAT LEED Rating

► **INSTALL GUIDES**

- Railing Install Guides
- Fencing Install Guides
- Accessories Install Guides

► **EDUCATIONAL DOCUMENTS**

- White Papers
- Insider Tips for Cleaning Vinyl
- Long-Lasting Outdoor Living Style
- General Pool Code Tips
- Helpful Tips for Contractors

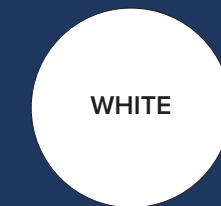
DOWNLOADS →



PICKET FENCE

Picket fences are a classic way to add charm to your yard. Choose one of our neighbor-friendly options with through-pickets (so the fence looks the same on both sides) or a traditionally mounted picket.

COLORS



WHITE



ALMOND



CLAY



BLACK

PICKET STYLES



DELUXE



CLASSIC



COLUMBIA

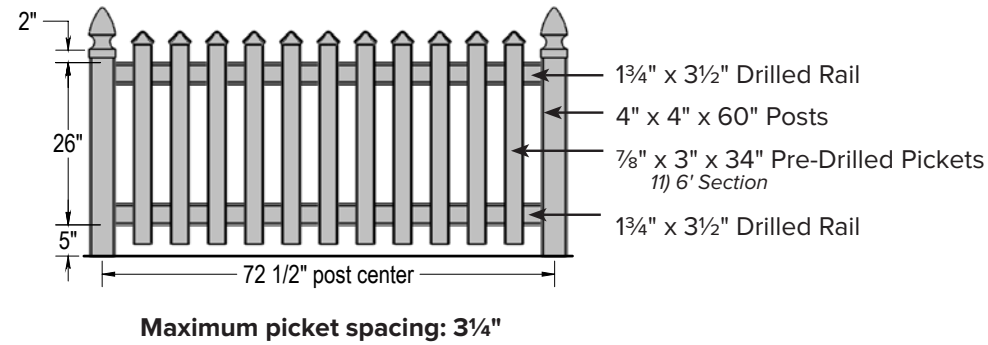


NEW ENGLAND

Important Notifications:
*Qty. indicates Box or Skid quantities. The ** in Part Number represents the color codes. Fencing sections do not include posts or caps.*

Terms: Net 30 days to approved accounts. Otherwise: Cash, check or money order. Prices F.O.B. New Holland, PA / Prices subject to change without notice.

3" X 36" DELUXE STRAIGHT



Part No.	3" x 36" Deluxe Straight Fence	Qty.	White: 01	Almond: 03	Clay: 04	Black: 07
311310360-**-	Special Length Section		\$21.29ft.	\$23.42ft.	n/a	n/a
311310366-**-	6' Section	24	\$111.16ea.	\$122.27ea.	n/a	n/a

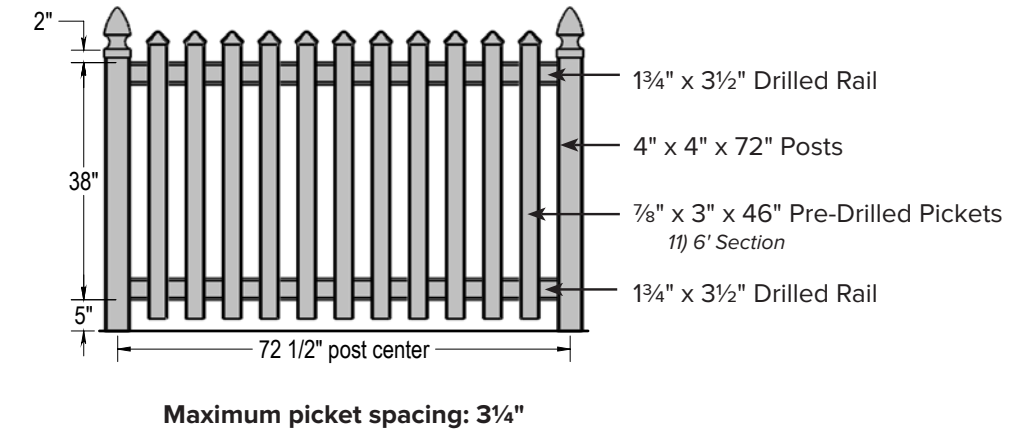
Part No.	Posts & Caps	Qty.	White: 01	Almond: 03	Clay: 04	Black: 07
311015360-**-	Line Post	48	\$28.53ea.	\$31.38ea.	n/a	n/a
311016360-**-	End Post	48	\$28.53ea.	\$31.38ea.	n/a	n/a
311017360-**-	Corner Post	48	\$28.53ea.	\$31.38ea.	n/a	n/a
311019360-**-	3-Way Post	48	\$27.50ea.	\$30.24ea.	n/a	n/a
311018360-**-	Blank Post	48	\$28.53ea.	\$31.38ea.	n/a	n/a
910021400-**-	4" Spade Cap	45	\$14.71ea.	\$16.18ea.	\$19.12ea.	\$21.33ea.

Part No.	Gates (Hardware not included)	Qty.	White: 01	Almond: 03	Clay: 04	Black: 07
311313360-**-	36" Wide Gate (Unassembled)		\$279.51ea.	\$307.46ea.	n/a	n/a
311313360-**-	48" Wide Gate (Unassembled)		\$307.46ea.	\$338.20ea.	n/a	n/a
311313360-**-	60" Wide Gate (Unassembled)		\$338.21ea.	\$372.03ea.	n/a	n/a
311313360-**-	72" Wide Gate (Unassembled)		\$372.04ea.	\$409.25ea.	n/a	n/a

Part No.	Gate Hardware	Qty.	White: 01	Black: 07
933000000-**-	Residential Hinge	12	n/a	\$100.54set
933010000-**-	Residential Latch	24	n/a	\$47.66ea.
933020000-**-	Residential Drop Pin Kit	10	n/a	\$91.00ea.
930302120-**-	Regular Multi-Adjust Hinge (TCAMA2)	20	\$148.11ea.	\$148.11ea.
930312010-**-	Lockable Latch S2 (LLAA)	20	\$74.23set	\$74.23set
930343120-**-	10" Vertical Pull MagnaLatch (ML3VPKA)	10	n/a	\$188.54ea.
930351183-**-	18" Lockable Drop Pin (LB218BX-KSA)	10	n/a	\$201.19ea.
958040600	4" x 60" Aluminum Post Insert	20	\$89.96ea.	

Note: Straight Picket Fence Gates will be convex unless straight top is requested.

3" X 48" DELUXE STRAIGHT



Part No.	3" x 48" Deluxe Straight Fence	Qty.	White: 01	Almond: 03	Clay: 04	Black: 07
311310480-**-	Special Length Section		\$25.07ft.	\$27.57ft.	n/a	n/a
311310486-**-	6' Section	24	\$130.77ea.	\$143.85ea.	n/a	n/a

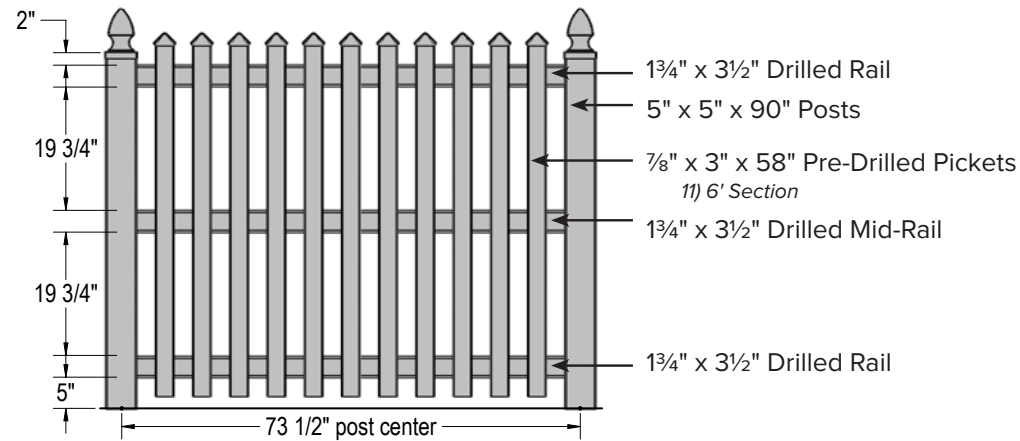
Part No.	Posts & Caps	Qty.	White: 01	Almond: 03	Clay: 04	Black: 07
311015480-**-	Line Post	48	\$34.25ea.	\$37.67ea.	n/a	n/a
311016480-**-	End Post	48	\$34.25ea.	\$37.67ea.	n/a	n/a
311017480-**-	Corner Post	48	\$34.25ea.	\$37.67ea.	n/a	n/a
311019480-**-	3-Way Post	48	\$32.99ea.	\$36.29ea.	n/a	n/a
311018480-**-	Blank Post	48	\$34.25ea.	\$37.67ea.	n/a	n/a
910021400-**-	4" Spade Cap	45	\$14.71ea.	\$16.18ea.	\$19.12ea.	\$21.33ea.

Part No.	Gates (Hardware not included)	Qty.	White: 01	Almond: 03	Clay: 04	Black: 07
311313480-**-	36" Wide Gate (Unassembled)		\$310.57ea.	\$341.63ea.	n/a	n/a
311313480-**-	48" Wide Gate (Unassembled)		\$341.62ea.	\$375.78ea.	n/a	n/a
311313480-**-	60" Wide Gate (Unassembled)		\$375.78ea.	\$413.35ea.	n/a	n/a
311313480-**-	72" Wide Gate (Unassembled)		\$413.36ea.	\$454.70ea.	n/a	n/a

Part No.	Gate Hardware	Qty.	White: 01	Black: 07
933000000-**-	Residential Hinge	12	n/a	\$100.54set
933010000-**-	Residential Latch	24	n/a	\$47.66ea.
933010200-**-	Residential 2-Way Latch	24	n/a	\$43.87ea.
930302120-**-	Regular Multi-Adjust Hinge (TCAMA2)	20	\$148.11ea.	\$148.11ea.
930312010-**-	Lockable Latch S2 (LLAA)	20	\$74.23set	\$74.23set
930343120-**-	10" Vertical Pull MagnaLatch (ML3VPKA)	10	n/a	\$188.54ea.
930351183-**-	18" Lockable Drop Pin (LB218BX-KSA)	10	n/a	\$201.19ea.
958040720	4" x 72" Aluminum Post Insert	20	\$107.95ea.	

Note: Straight Picket Fence Gates will be convex unless straight top is requested.

3" X 60" DELUXE STRAIGHT



Maximum picket spacing: 3 1/4"

Part No.	3" x 60" Deluxe Straight Fence	Qty.	White: 01	Almond: 03	Clay: 04	Black: 07
311310600-**-	Special Length Section		\$32.60ft.	\$35.86ft.	n/a	n/a
311310606-**-	6' Section	24	\$169.99ea.	\$186.99ea.	n/a	n/a

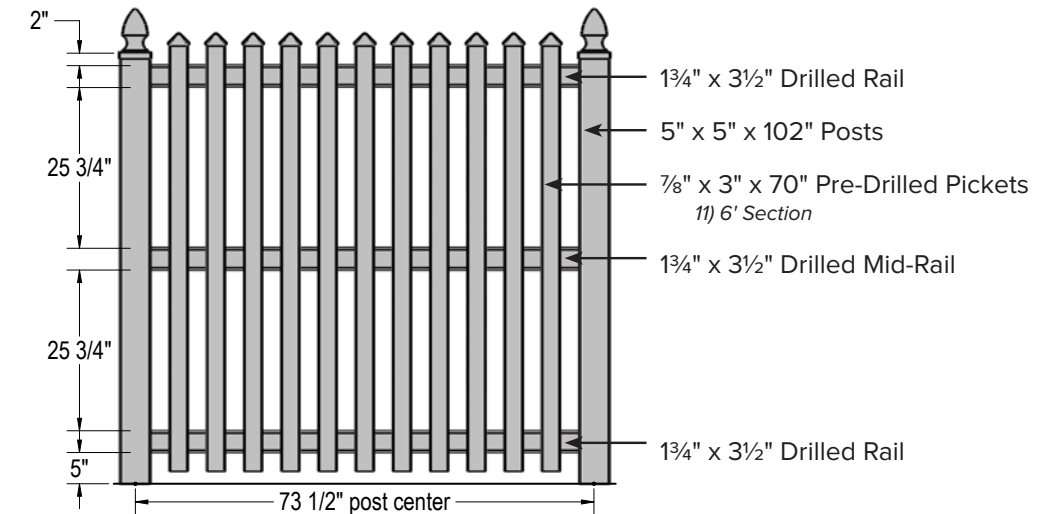
Part No.	Posts & Caps	Qty.	White: 01	Almond: 03	Clay: 04	Black: 07
311015600-**-	Line Post	48	\$57.74ea.	\$63.52ea.	n/a	n/a
311016600-**-	End Post	48	\$57.74ea.	\$63.52ea.	n/a	n/a
311017600-**-	Corner Post	48	\$57.74ea.	\$63.52ea.	n/a	n/a
311019600-**-	3-Way Post	48	\$55.65ea.	\$61.21ea.	n/a	n/a
311018600-**-	Blank Post	48	\$57.74ea.	\$63.52ea.	n/a	n/a
910021500-**-	5" Spade Cap	45	\$16.33ea.	\$17.96ea.	\$21.23ea.	n/a

Part No.	Gates (Hardware not included)	Qty.	White: 01	Almond: 03	Clay: 04	Black: 07
311313600-**-	36" Wide Gate (Unassembled)		\$372.67ea.	\$409.94ea.	n/a	n/a
311313600-**-	48" Wide Gate (Unassembled)		\$409.95ea.	\$450.95ea.	n/a	n/a
311313600-**-	60" Wide Gate (Unassembled)		\$450.94ea.	\$496.03ea.	n/a	n/a
311313600-**-	72" Wide Gate (Unassembled)		\$450.94ea.	\$496.03ea.	n/a	n/a

Part No.	Gate Hardware	Qty.	White: 01	Black: 07
933100000-**-	Commercial Hinge	10	n/a	\$119.82set
933110200-**-	Commercial 2-Way Latch	12	n/a	\$51.79ea.
933120000-**-	Commercial Drop Pin Kit	10	n/a	\$111.56ea.
930302220-**-	Heavy Duty Multi-Adjust Hinge (TCHDMA1)	10	\$199.73ea.	\$199.73ea.
930312010-**-	Lockable Latch S2 (LLAA)	20	\$74.23set	\$74.23set
930343120-**-	10" Vertical Pull MagnaLatch (ML3VPKA)	10	n/a	\$188.54ea.
930351243-**-	24" Lockable Drop Pin (LB224BX-KSA)	10	n/a	\$223.30ea.
958050780	5" x 78" Aluminum Post Insert	16	\$146.39ea.	

Note: Straight Picket Fence Gates will be convex unless straight top is requested.

3" X 72" DELUXE STRAIGHT



Maximum picket spacing: 3 1/4"

Part No.	3" x 72" Deluxe Straight Fence	Qty.	White: 01	Almond: 03	Clay: 04	Black: 07
311310720-**-	Special Length Section		\$36.33ft.	\$39.97ft.	n/a	n/a
311310726-**-	6' Section	24	\$189.64ea.	\$208.60ea.	n/a	n/a

Part No.	Posts & Caps	Qty.	White: 01	Almond: 03	Clay: 04	Black: 07
311015720-**-	Line Post	48	\$65.44ea.	\$71.98ea.	n/a	n/a
311016720-**-	End Post	48	\$65.44ea.	\$71.98ea.	n/a	n/a
311017720-**-	Corner Post	48	\$65.44ea.	\$71.98ea.	n/a	n/a
311019720-**-	3-Way Post	48	\$63.05ea.	\$69.36ea.	n/a	n/a
311018720-**-	Blank Post	48	\$65.44ea.	\$71.98ea.	n/a	n/a
910021500-**-	5" Spade Cap	45	\$16.33ea.	\$17.96ea.	\$21.23ea.	n/a

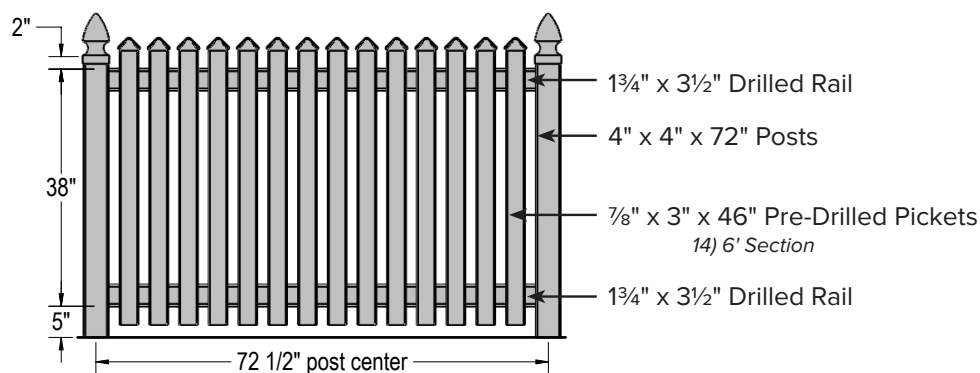
Part No.	Gates (Hardware not included)	Qty.	White: 01	Almond: 03	Clay: 04	Black: 07
311313720-**-	36" Wide Gate (Unassembled)		\$403.74ea.	\$444.11ea.	n/a	n/a
311313720-**-	48" Wide Gate (Unassembled)		\$444.12ea.	\$488.54ea.	n/a	n/a
311313720-**-	60" Wide Gate (Unassembled)		\$488.52ea.	\$537.37ea.	n/a	n/a
311313720-**-	72" Wide Gate (Unassembled)		\$537.39ea.	\$591.13ea.	n/a	n/a

Part No.	Gate Hardware	Qty.	White: 01	Black: 07
933100000-**-	Commercial Hinge	10	n/a	\$119.82set
933110200-**-	Commercial 2-Way Latch	12	n/a	\$51.79ea.
933120000-**-	Commercial Drop Pin Kit	10	n/a	\$111.56ea.
930302220-**-	Heavy Duty Multi-Adjust Hinge (TCHDMA1)	10	\$199.73ea.	\$199.73ea.
930312010-**-	Lockable Latch S2 (LLAA)	20	\$74.23set	\$74.23set
930343120-**-	10" Vertical Pull MagnaLatch (ML3VPKA)	10	n/a	\$188.54ea.
930351243-**-	24" Lockable Drop Pin (LB224BX-KSA)	10	n/a	\$223.30ea.
958050960	5" x 96" Aluminum Post Insert	16	\$180.20ea.	

Note: Straight Picket Fence Gates will be convex unless straight top is requested.



3" X 48" DELUXE STRAIGHT



Maximum picket spacing: 1 3/4"

Part No.	3" x 48" Deluxe Straight Fence	Qty.	White: 01	Almond: 03	Clay: 04	Black: 07
311330480-**-	Special Length Section (Pool Code)		\$28.83ft.	\$31.71ft.	n/a	n/a
311330486-**-	6' Section (Pool Code)	24	\$150.39ea.	\$165.43ea.	n/a	n/a

Part No.	Posts & Caps	Qty.	White: 01	Almond: 03	Clay: 04	Black: 07
311015480-**-	Line Post	48	\$34.25ea.	\$37.67ea.	n/a	n/a
311016480-**-	End Post	48	\$34.25ea.	\$37.67ea.	n/a	n/a
311017480-**-	Corner Post	48	\$34.25ea.	\$37.67ea.	n/a	n/a
311019480-**-	3-Way Post	48	\$32.99ea.	\$36.29ea.	n/a	n/a
311018480-**-	Blank Post	48	\$34.25ea.	\$37.67ea.	n/a	n/a
910021400-**-	4" Spade Cap	45	\$14.71ea.	\$16.18ea.	\$19.12ea.	\$21.33ea.

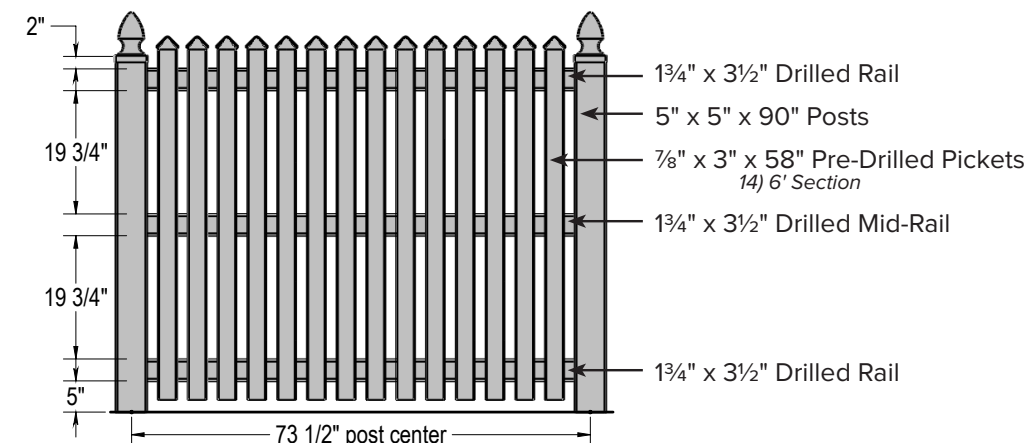
Part No.	Gates (Hardware not included)	Qty.	White: 01	Almond: 03	Clay: 04	Black: 07
311333480-**-	36" Wide Gate (Pool Code - Unassembled)		\$326.11ea.	\$358.72ea.	n/a	n/a
311333480-**-	48" Wide Gate (Pool Code - Unassembled)		\$358.70ea.	\$394.57ea.	n/a	n/a
311333480-**-	60" Wide Gate (Pool Code - Unassembled)		\$394.58ea.	\$434.04ea.	n/a	n/a
311333480-**-	72" Wide Gate (Pool Code - Unassembled)		\$434.03ea.	\$477.44ea.	n/a	n/a

Part No.	Gate Hardware	Qty.	White: 01	Black: 07
933000000-**-	Residential Hinge	12	n/a	\$100.54set
933010000-**-	Residential Latch	24	n/a	\$47.66ea.
933010200-**-	Residential 2-Way Latch	24	n/a	\$43.87ea.
933130000-**-	Commercial Spring	10	n/a	\$91.20ea.
930302120-**-	Regular Multi-Adjust Hinge (TCAMA2)	20	\$148.11set	\$148.11set
930343220-**-	20" Top Pull MagnaLatch (ML3TPKA)	10	n/a	\$199.10ea.
930351183-**-	18" Lockable Drop Pin (LB218BX-KSA)	10	n/a	\$201.19ea.
958040720	4" x 72" Aluminum Post Insert	20	\$107.95ea.	

Note: Straight Picket Fence Gates will be convex unless straight top is requested.



3" X 60" DELUXE STRAIGHT



Maximum picket spacing: 1 3/4"

Part No.	3" x 60" Deluxe Straight Fence	Qty.	White: 01	Almond: 03	Clay: 04	Black: 07
311330600-**-	Special Length Section (Pool Code)		\$37.49ft.	\$41.23ft.	n/a	n/a
311330606-**-	6' Section (Pool Code)	24	\$195.51ea.	\$215.06ea.	n/a	n/a

Part No.	Posts & Caps	Qty.	White: 01	Almond: 03	Clay: 04	Black: 07
311015600-**-	Line Post	48	\$57.74ea.	\$63.52ea.	n/a	n/a
311016600-**-	End Post	48	\$57.74ea.	\$63.52ea.	n/a	n/a
311017600-**-	Corner Post	48	\$57.74ea.	\$63.52ea.	n/a	n/a
311019600-**-	3-Way Post	48	\$55.65ea.	\$61.21ea.	n/a	n/a
311018600-**-	Blank Post	48	\$57.74ea.	\$63.52ea.	n/a	n/a
910021500-**-	5" Spade Cap	45	\$16.33ea.	\$17.96ea.	\$21.23ea.	n/a

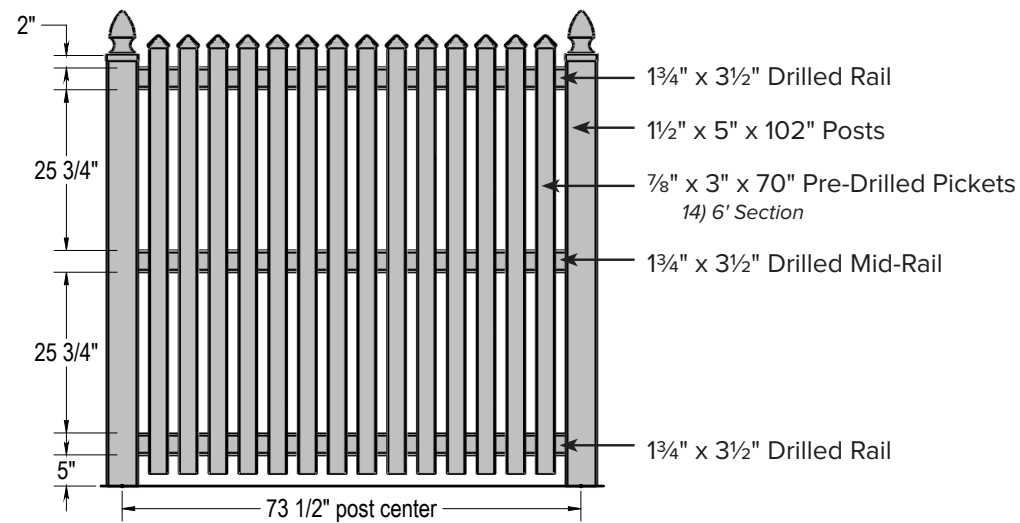
Part No.	Gates (Hardware not included)	Qty.	White: 01	Almond: 03	Clay: 04	Black: 07
311333600-**-	36" Wide Gate (Pool Code - Unassembled)		\$391.31ea.	\$430.44ea.	n/a	n/a
311333600-**-	48" Wide Gate (Pool Code - Unassembled)		\$430.43ea.	\$473.48ea.	n/a	n/a
311333600-**-	60" Wide Gate (Pool Code - Unassembled)		\$473.48ea.	\$520.83ea.	n/a	n/a
311333600-**-	72" Wide Gate (Pool Code - Unassembled)		\$520.82ea.	\$572.90ea.	n/a	n/a

Part No.	Gate Hardware	Qty.	White: 01	Black: 07
933100000-**-	Commercial Hinge	10	n/a	\$119.82set
933110200-**-	Commercial 2-Way Latch	12	n/a	\$51.79ea.
933120000-**-	Commercial Drop Pin Kit	10	n/a	\$111.56ea.
933130000-**-	Commercial Spring	10	n/a	\$91.20ea.
930302220-**-	Heavy Duty Multi-Adjust Hinge (TCHDMA1)	10	\$199.73set	\$199.73set
930343120-**-	10" Vertical Pull MagnaLatch (ML3VPKA)	10	n/a	\$188.54ea.
930351243-**-	24" Lockable Drop Pin (LB224BX-KSA)	10	n/a	\$223.30ea.
958050780	5" x 78" Aluminum Post Insert	16	\$146.39ea.	

Note: Straight Picket Fence Gates will be convex unless straight top is requested.



3" X 72" DELUXE STRAIGHT



Maximum picket spacing: 1 3/4"

Part No.	3" x 72" Deluxe Straight Fence	Qty.	White: 01	Almond: 03	Clay: 04	Black: 07
311330720-**-**	Special Length Section (Pool Code)		\$41.81ft.	\$46.00ft.	n/a	n/a
311330726-**-**	6' Section (Pool Code)	24	\$218.07ea.	\$239.88ea.	n/a	n/a

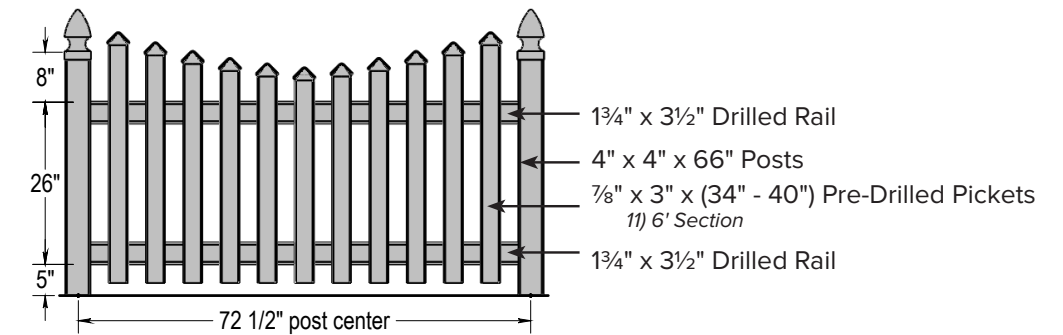
Part No.	Posts & Caps	Qty.	White: 01	Almond: 03	Clay: 04	Black: 07
311015720-**-**	Line Post	48	\$65.44ea.	\$71.98ea.	n/a	n/a
311016720-**-**	End Post	48	\$65.44ea.	\$71.98ea.	n/a	n/a
311017720-**-**	Corner Post	48	\$65.44ea.	\$71.98ea.	n/a	n/a
311019720-**-**	3-Way Post	48	\$63.05ea.	\$69.36ea.	n/a	n/a
311018720-**-**	Blank Post	48	\$65.44ea.	\$71.98ea.	n/a	n/a
910021500-**-**	5" Spade Cap	45	\$16.33ea.	\$17.96ea.	\$21.23ea.	n/a

Part No.	Gates (Hardware not included)	Qty.	White: 01	Almond: 03	Clay: 04	Black: 07
311333720-**-**	36" Wide Gate (Pool Code - Unassembled)		\$423.93ea.	\$466.32ea.	n/a	n/a
311333720-**-**	48" Wide Gate (Pool Code - Unassembled)		\$466.33ea.	\$512.96ea.	n/a	n/a
311333720-**-**	60" Wide Gate (Pool Code - Unassembled)		\$512.97ea.	\$564.27ea.	n/a	n/a
311333720-**-**	72" Wide Gate (Pool Code - Unassembled)		\$564.27ea.	\$620.70ea.	n/a	n/a

Part No.	Gate Hardware	Qty.	White: 01	Black: 07
933100000-**-**	Commercial Hinge	10	n/a	\$119.82set
933110200-**-**	Commercial 2-Way Latch	12	n/a	\$51.79ea.
933120000-**-**	Commercial Drop Pin Kit	10	n/a	\$111.56ea.
933130000-**-**	Commercial Spring	10	n/a	\$91.20ea.
930302220-**-**	Heavy Duty Multi-Adjust Hinge (TCHDMA1)	10	\$199.73set	\$199.73set
930343120-**-**	10" Vertical Pull MagnaLatch (ML3VPKA)	10	n/a	\$188.54ea.
930351243-**-**	24" Lockable Drop Pin (LB224BX-KSA)	10	n/a	\$223.30ea.
958050960	5" x 96" Aluminum Post Insert	16	\$180.20ea.	

Note: Straight Picket Fence Gates will be convex unless straight top is requested.

3" X 36" DELUXE CONCAVE



Maximum picket spacing: 3 1/4"
Height measurements taken at low point.

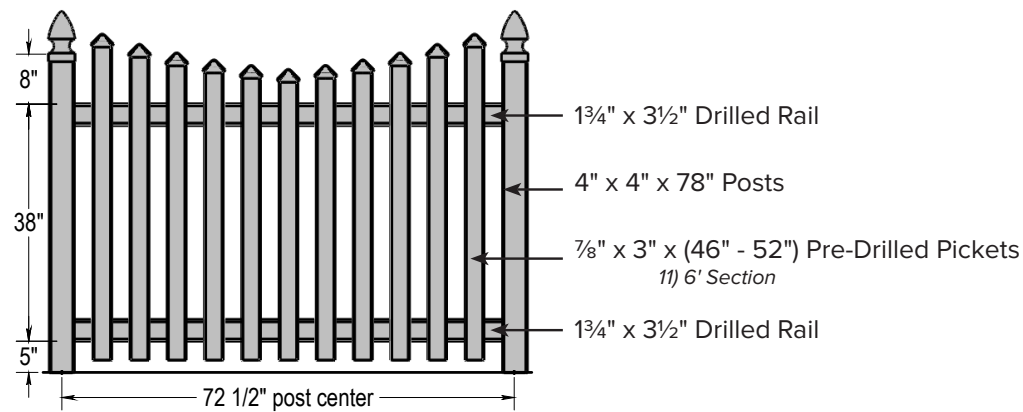
Part No.	3" x 36" Deluxe Concave Fence	Qty.	White: 01	Almond: 03	Clay: 04	Black: 07
311320360-**-**	Special Length Section		\$23.44ft.	\$25.78ft.	n/a	n/a
311320366-**-**	6' Section	24	\$122.27ea.	\$134.50ea.	n/a	n/a

Part No.	Posts & Caps	Qty.	White: 01	Almond: 03	Clay: 04	Black: 07
311025360-**-**	Line Post	48	\$31.36ea.	\$34.49ea.	n/a	n/a
311026360-**-**	End Post	48	\$31.36ea.	\$34.49ea.	n/a	n/a
311027360-**-**	Corner Post	48	\$31.36ea.	\$34.49ea.	n/a	n/a
311029360-**-**	3-Way Post	48	\$30.21ea.	\$33.23ea.	n/a	n/a
311028360-**-**	Blank Post	48	\$31.36ea.	\$34.49ea.	n/a	n/a
910021400-**-**	4" Spade Cap	45	\$14.71ea.	\$16.18ea.	\$19.12ea.	\$21.33ea.

Part No.	Gates (Hardware not included)	Qty.	White: 01	Almond: 03	Clay: 04	Black: 07
311323360-**-**	36" Wide Gate (Unassembled)		\$279.51ea.	\$307.46ea.	n/a	n/a
311323360-**-**	48" Wide Gate (Unassembled)		\$307.46ea.	\$338.20ea.	n/a	n/a
311323360-**-**	60" Wide Gate (Unassembled)		\$338.21ea.	\$372.03ea.	n/a	n/a
311323360-**-**	72" Wide Gate (Unassembled)		\$372.04ea.	\$409.25ea.	n/a	n/a

Part No.	Gate Hardware	Qty.	White: 01	Black: 07
933000000-**-**	Residential Hinge	12	n/a	\$100.54set
933010000-**-**	Residential Latch	24	n/a	\$47.66ea.
933020000-**-**	Residential Drop Pin Kit	10	n/a	\$91.00ea.
930302120-**-**	Regular Multi-Adjust Hinge (TCAMA2)	20	\$148.11ea.	\$148.11ea.
930312010-**-**	Lockable Latch S2 (LLAA)	20	\$74.23set	\$74.23set
930343120-**-**	10" Vertical Pull MagnaLatch (ML3VPKA)	10	n/a	\$188.54ea.
930351183-**-**	18" Lockable Drop Pin (LB218BX-KSA)	10	n/a	\$201.19ea.
958040600-**-**	4" x 60" Aluminum Post Insert	24	\$89.96ea.	

3" X 48" DELUXE CONCAVE



Maximum picket spacing: 3/4"
Height measurements taken at low point.

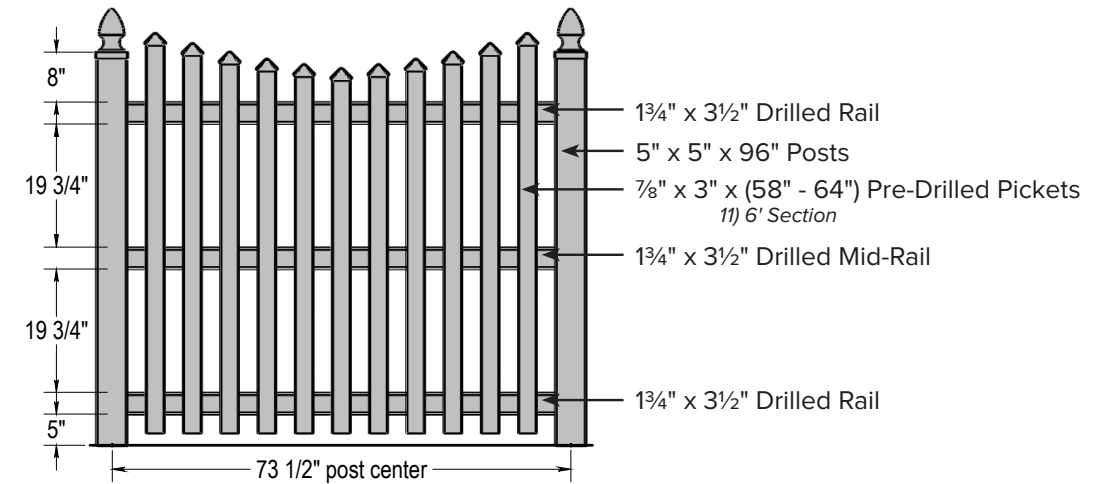
Part No.	3" x 48" Deluxe Concave Fence	Qty.	White: 01	Almond: 03	Clay: 04	Black: 07
311320480-**-	Special Length Section		\$27.59ft.	\$30.34ft.	n/a	n/a
311320486-**-	6' Section	24	\$143.86ea.	\$158.24ea.	n/a	n/a

Part No.	Posts & Caps	Qty.	White: 01	Almond: 03	Clay: 04	Black: 07
311025480-**-	Line Post	48	\$39.95ea.	\$43.95ea.	n/a	n/a
311026480-**-	End Post	48	\$39.95ea.	\$43.95ea.	n/a	n/a
311027480-**-	Corner Post	48	\$39.95ea.	\$43.95ea.	n/a	n/a
311029480-**-	3-Way Post	48	\$38.49ea.	\$42.34ea.	n/a	n/a
311028480-**-	Blank Post	48	\$39.95ea.	\$43.95ea.	n/a	n/a
910021400-**-	4" Spade Cap	45	\$14.71ea.	\$16.18ea.	\$19.12ea.	\$21.33ea.

Part No.	Gates (Hardware not included)	Qty.	White: 01	Almond: 03	Clay: 04	Black: 07
311323480-**-	36" Wide Gate (Unassembled)		\$310.57ea.	\$341.63ea.	n/a	n/a
311323480-**-	48" Wide Gate (Unassembled)		\$341.62ea.	\$375.78ea.	n/a	n/a
311323480-**-	60" Wide Gate (Unassembled)		\$375.78ea.	\$413.35ea.	n/a	n/a
311323480-**-	72" Wide Gate (Unassembled)		\$413.36ea.	\$454.70ea.	n/a	n/a

Part No.	Gate Hardware	Qty.	White: 01	Black: 07
933000000-**-	Residential Hinge	12	n/a	\$100.54set
933010000-**-	Residential Latch	24	n/a	\$47.66ea.
933010200-**-	Residential 2-Way Latch	24	n/a	\$43.87ea.
930302120-**-	Regular Multi-Adjust Hinge (TCAMA2)	20	\$148.11ea.	\$148.11ea.
930312010-**-	Lockable Latch S2 (LLAA)	20	\$74.23set	\$74.23set
930343120-**-	10" Vertical Pull MagnaLatch (ML3VPKA)	10	n/a	\$188.54ea.
930351183-**-	18" Lockable Drop Pin (LB218BX-KSA)	10	n/a	\$201.19ea.
958040720	4" x 72" Aluminum Post Insert	20	\$107.95ea.	

3" X 60" DELUXE CONCAVE



Maximum picket spacing: 3/4"
Height measurements taken at low point.

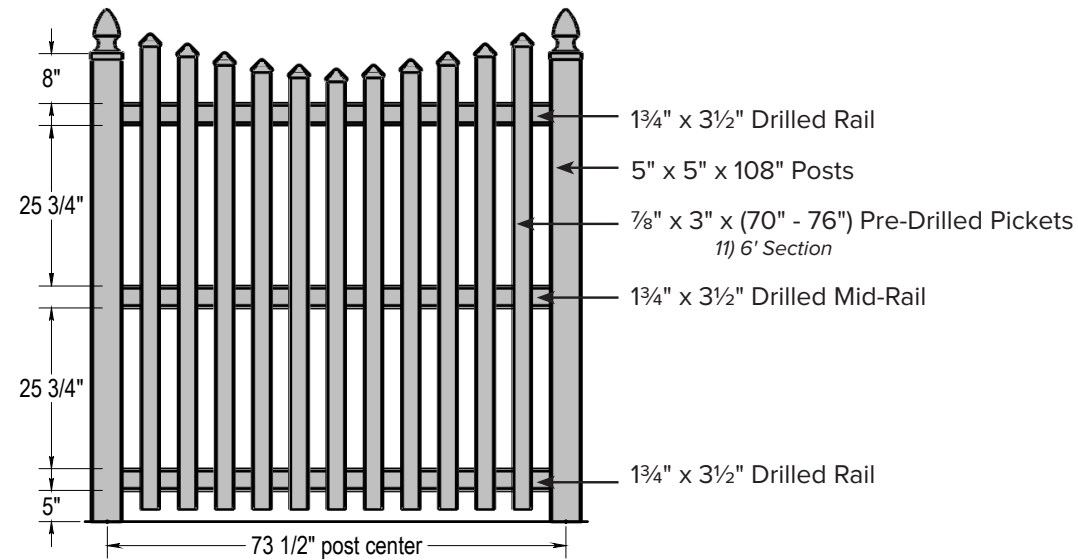
Part No.	3" x 60" Deluxe Concave Fence	Qty.	White: 01	Almond: 03	Clay: 04	Black: 07
311320600-**-	Special Length Section		\$35.86ft.	\$39.44ft.	n/a	n/a
311320606-**-	6' Section	24	\$186.99ea.	\$205.69ea.	n/a	n/a

Part No.	Posts & Caps	Qty.	White: 01	Almond: 03	Clay: 04	Black: 07
311025600-**-	Line Post	48	\$61.56ea.	\$67.72ea.	n/a	n/a
311026600-**-	End Post	48	\$61.56ea.	\$67.72ea.	n/a	n/a
311027600-**-	Corner Post	48	\$61.56ea.	\$67.72ea.	n/a	n/a
311029600-**-	3-Way Post	48	\$59.33ea.	\$65.26ea.	n/a	n/a
311028600-**-	Blank Post	48	\$61.56ea.	\$67.72ea.	n/a	n/a
910021500-**-	5" Spade Cap	45	\$16.33ea.	\$17.96ea.	\$21.23ea.	n/a

Part No.	Gates (Hardware not included)	Qty.	White: 01	Almond: 03	Clay: 04	Black: 07
311323600-**-	36" Wide Gate (Unassembled)		\$372.67ea.	\$409.94ea.	n/a	n/a
311323600-**-	48" Wide Gate (Unassembled)		\$409.95ea.	\$450.95ea.	n/a	n/a
311323600-**-	60" Wide Gate (Unassembled)		\$450.94ea.	\$496.03ea.	n/a	n/a
311323600-**-	72" Wide Gate (Unassembled)		\$496.05ea.	\$545.66ea.	n/a	n/a

Part No.	Gate Hardware	Qty.	White: 01	Black: 07
933100000-**-	Commercial Hinge	10	n/a	\$119.82set
933110200-**-	Commercial 2-Way Latch	12	n/a	\$51.79ea.
933120000-**-	Commercial Drop Pin Kit	10	n/a	\$111.56ea.
930302220-**-	Heavy Duty Multi-Adjust Hinge (TCHDMA1)	10	\$199.73ea.	\$199.73ea.
930312010-**-	Lockable Latch S2 (LLAA)	20	\$74.23set	\$74.23set
930343120-**-	10" Vertical Pull MagnaLatch (ML3VPKA)	10	n/a	\$188.54ea.
930351243-**-	24" Lockable Drop Pin (LB224BX-KSA)	10	n/a	\$223.30ea.
958050960	5" x 96" Aluminum Post Insert	16	\$180.20ea.	

3" X 72" DELUXE CONCAVE



Maximum picket spacing: 3 1/4"
Height measurements taken at low point.

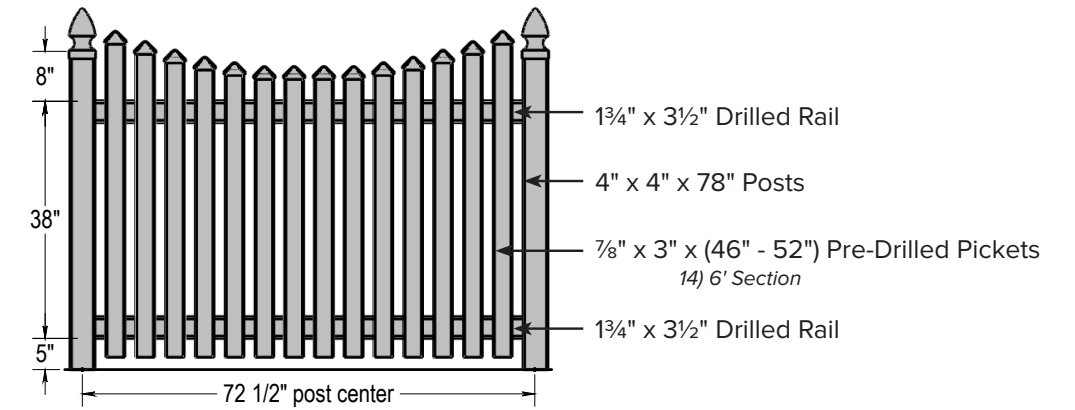
Part No.	3" x 72" Deluxe Concave Fence	Qty.	White: 01	Almond: 03	Clay: 04	Black: 07
311320720-**-	Special Length Section		\$39.98ft.	\$43.98ft.	n/a	n/a
311320726-**-	6' Section	24	\$208.58ea.	\$229.43ea.	n/a	n/a

Part No.	Posts & Caps	Qty.	White: 01	Almond: 03	Clay: 04	Black: 07
311025720-**-	Line Post	48	\$69.27ea.	\$76.20ea.	n/a	n/a
311026720-**-	End Post	48	\$69.27ea.	\$76.20ea.	n/a	n/a
311027720-**-	Corner Post	48	\$69.27ea.	\$76.20ea.	n/a	n/a
311029720-**-	3-Way Post	48	\$66.75ea.	\$73.43ea.	n/a	n/a
311028720-**-	Blank Post	48	\$69.27ea.	\$76.20ea.	n/a	n/a
910021500-**-	5" Spade Cap	45	\$16.33ea.	\$17.96ea.	\$21.23ea.	n/a

Part No.	Gates (Hardware not included)	Qty.	White: 01	Almond: 03	Clay: 04	Black: 07
311323720-**-	36" Wide Gate (Unassembled)		\$403.74ea.	\$444.11ea.	n/a	n/a
311323720-**-	48" Wide Gate (Unassembled)		\$444.12ea.	\$488.54ea.	n/a	n/a
311323720-**-	60" Wide Gate (Unassembled)		\$488.52ea.	\$537.37ea.	n/a	n/a
311323720-**-	72" Wide Gate (Unassembled)		\$537.39ea.	\$591.13ea.	n/a	n/a

Part No.	Gate Hardware	Qty.	White: 01	Black: 07
933100000-**-	Commercial Hinge	10	n/a	\$119.82set
933110200-**-	Commercial 2-Way Latch	12	n/a	\$51.79ea.
933120000-**-	Commercial Drop Pin Kit	10	n/a	\$111.56ea.
930302220-**-	Heavy Duty Multi-Adjust Hinge (TCHDMA1)	10	\$199.73ea.	\$199.73ea.
930312010-**-	Lockable Latch S2 (LLAA)	20	\$74.23set	\$74.23set
930343120-**-	10" Vertical Pull MagnaLatch (ML3VPKA)	10	n/a	\$188.54ea.
930351243-**-	24" Lockable Drop Pin (LB224BX-KSA)	10	n/a	\$223.30ea.
958050960	5" x 96" Aluminum Post Insert	16	\$180.20ea.	

3" X 48" DELUXE CONCAVE



Maximum picket spacing: 1 3/4"
Height measurements taken at low point.

Part No.	3" x 48" Deluxe Concave Fence	Qty.	White: 01	Almond: 03	Clay: 04	Black: 07
311340480-**-	Special Length Section (Pool Code)		\$31.70ft.	\$34.87ft.	n/a	n/a
311340486-**-	6' Section (Pool Code)	24	\$165.41ea.	\$181.95ea.	n/a	n/a

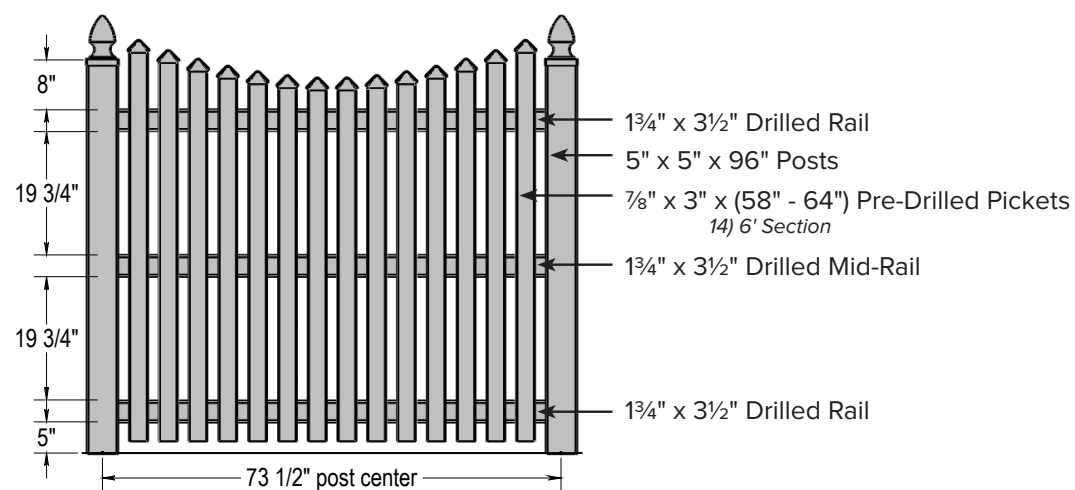
Part No.	Posts & Caps	Qty.	White: 01	Almond: 03	Clay: 04	Black: 07
311025480-**-	Line Post	48	\$39.95ea.	\$43.95ea.	n/a	n/a
311026480-**-	End Post	48	\$39.95ea.	\$43.95ea.	n/a	n/a
311027480-**-	Corner Post	48	\$39.95ea.	\$43.95ea.	n/a	n/a
311029480-**-	3-Way Post	48	\$38.49ea.	\$42.34ea.	n/a	n/a
311028480-**-	Blank Post	48	\$39.95ea.	\$43.95ea.	n/a	n/a
910021400-**-	4" Spade Cap	45	\$14.71ea.	\$16.18ea.	\$19.12ea.	\$21.33ea.

Part No.	Gates (Hardware not included)	Qty.	White: 01	Almond: 03	Clay: 04	Black: 07
311343480-**-	36" Wide Gate (Pool Code - Unassembled)		\$326.11ea.	\$358.72ea.	n/a	n/a
311343480-**-	48" Wide Gate (Pool Code - Unassembled)		\$358.70ea.	\$394.57ea.	n/a	n/a
311343480-**-	60" Wide Gate (Pool Code - Unassembled)		\$394.58ea.	\$434.04ea.	n/a	n/a
311343480-**-	72" Wide Gate (Pool Code - Unassembled)		\$434.03ea.	\$477.44ea.	n/a	n/a

Part No.	Gate Hardware	Qty.	White: 01	Black: 07
933000000-**-	Residential Hinge	12	n/a	\$100.54set
933010000-**-	Residential Latch	24	n/a	\$47.66ea.
933010200-**-	Residential 2-Way Latch	24	n/a	\$43.87ea.
933130000-**-	Commercial Spring	10	n/a	\$91.20ea.
930302120-**-	Regular Multi-Adjust Hinge (TCAMA2)	20	\$148.11set	\$148.11set
930343220-**-	20" Top Pull MagnaLatch (ML3TPKA)	10	n/a	\$199.10ea.
930351183-**-	18" Lockable Drop Pin (LB218BX-KSA)	10	n/a	\$201.19ea.
958040720	4" x 72" Aluminum Post Insert	20	\$107.95ea.	



3" X 60" DELUXE CONCAVE



Maximum picket spacing: 1 3/4"
Height measurements taken at low point.

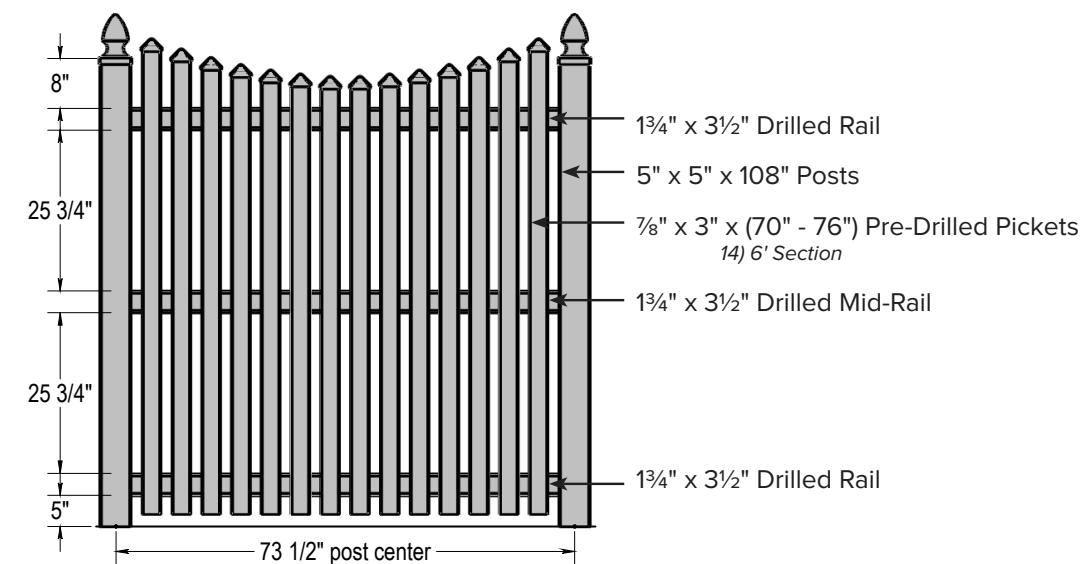
Part No.	3" x 60" Deluxe Concave Fence	Qty.	White: 01	Almond: 03	Clay: 04	Black: 07
311340600-**-**	Special Length Section (Pool Code)		\$41.22ft.	\$45.34ft.	n/a	n/a
311340606-**-**	6' Section (Pool Code)	24	\$215.05ea.	\$236.55ea.	n/a	n/a

Part No.	Posts & Caps	Qty.	White: 01	Almond: 03	Clay: 04	Black: 07
311025600-**-**	Line Post	48	\$61.56ea.	\$67.72ea.	n/a	n/a
311026600-**-**	End Post	48	\$61.56ea.	\$67.72ea.	n/a	n/a
311027600-**-**	Corner Post	48	\$61.56ea.	\$67.72ea.	n/a	n/a
311029600-**-**	3-Way Post	48	\$59.33ea.	\$65.26ea.	n/a	n/a
311028600-**-**	Blank Post	48	\$61.56ea.	\$67.72ea.	n/a	n/a
910021500-**-**	5" Spade Cap	45	\$16.33ea.	\$17.96ea.	\$21.23ea.	n/a

Part No.	Gates (Hardware not included)	Qty.	White: 01	Almond: 03	Clay: 04	Black: 07
311343600-**-**	36" Wide Gate (Pool Code - Unassembled)		\$391.31ea.	\$430.44ea.	n/a	n/a
311343600-**-**	48" Wide Gate (Pool Code - Unassembled)		\$430.43ea.	\$473.48ea.	n/a	n/a
311343600-**-**	60" Wide Gate (Pool Code - Unassembled)		\$473.48ea.	\$520.83ea.	n/a	n/a
311343600-**-**	72" Wide Gate (Pool Code - Unassembled)		\$520.82ea.	\$572.90ea.	n/a	n/a

Part No.	Gate Hardware	Qty.	White: 01	Black: 07
933100000-**-**	Commercial Hinge	10	n/a	\$119.82set
933110200-**-**	Commercial 2-Way Latch	12	n/a	\$51.79ea.
933120000-**-**	Commercial Drop Pin Kit	10	n/a	\$111.56ea.
933130000-**-**	Commercial Spring	10	n/a	\$91.20ea.
930302220-**-**	Heavy Duty Multi-Adjust Hinge (TCHDMA1)	10	\$199.73set	\$199.73set
930343120-**-**	10" Vertical Pull MagnaLatch (ML3VPKA)	10	n/a	\$188.54ea.
930351243-**-**	24" Lockable Drop Pin (LB224BX-KSA)	10	n/a	\$223.30ea.
958050780	5" x 78" Aluminum Post Insert	16	\$146.39ea.	

3" X 72" DELUXE CONCAVE



Maximum picket spacing: 1 3/4"
Height measurements taken at low point.

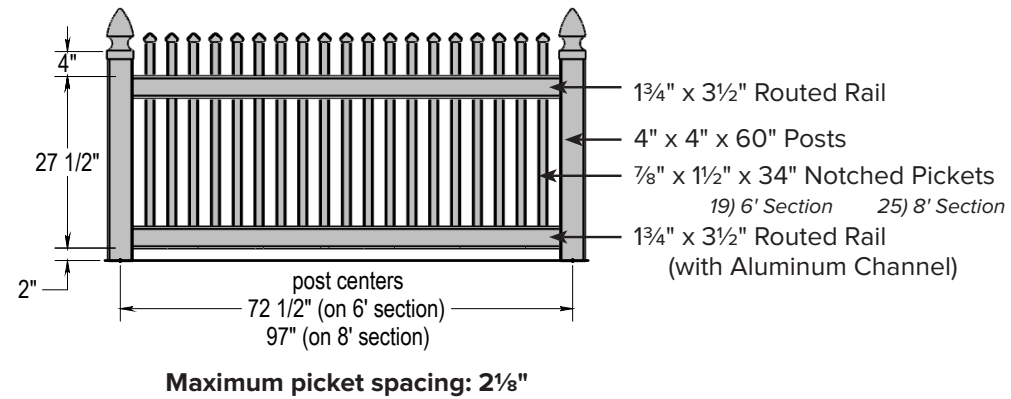
Part No.	3" x 72" Deluxe Concave Fence	Qty.	White: 01	Almond: 03	Clay: 04	Black: 07
311340720-**-**	Special Length Section (Pool Code)		\$45.98ft.	\$50.58ft.	n/a	n/a
311340726-**-**	6' Section (Pool Code)	24	\$239.87ea.	\$263.85ea.	n/a	n/a

Part No.	Posts & Caps	Qty.	White: 01	Almond: 03	Clay: 04	Black: 07
311025720-**-**	Line Post	48	\$69.27ea.	\$76.20ea.	n/a	n/a
311026720-**-**	End Post	48	\$69.27ea.	\$76.20ea.	n/a	n/a
311027720-**-**	Corner Post	48	\$69.27ea.	\$76.20ea.	n/a	n/a
311029720-**-**	3-Way Post	48	\$66.75ea.	\$73.43ea.	n/a	n/a
311028720-**-**	Blank Post	48	\$69.27ea.	\$76.20ea.	n/a	n/a
910021500-**-**	5" Spade Cap	45	\$16.33ea.	\$17.96ea.	\$21.23ea.	n/a

Part No.	Gates (Hardware not included)	Qty.	White: 01	Almond: 03	Clay: 04	Black: 07
311343720-**-**	36" Wide Gate (Pool Code - Unassembled)		\$423.93ea.	\$466.32ea.	n/a	n/a
311343720-**-**	48" Wide Gate (Pool Code - Unassembled)		\$466.33ea.	\$512.96ea.	n/a	n/a
311343720-**-**	60" Wide Gate (Pool Code - Unassembled)		\$512.97ea.	\$564.27ea.	n/a	n/a
311343720-**-**	72" Wide Gate (Pool Code - Unassembled)		\$564.27ea.	\$620.70ea.	n/a	n/a

Part No.	Gate Hardware	Qty.	White: 01	Black: 07
933100000-**-**	Commercial Hinge	10	n/a	\$119.82set
933110200-**-**	Commercial 2-Way Latch	12	n/a	\$51.79ea.
933120000-**-**	Commercial Drop Pin Kit	10	n/a	\$111.56ea.
933130000-**-**	Commercial Spring	10	n/a	\$91.20ea.
930302220-**-**	Heavy Duty Multi-Adjust Hinge (TCHDMA1)	10	\$199.73set	\$199.73set
930343120-**-**	10" Vertical Pull MagnaLatch (ML3VPKA)	10	n/a	\$188.54ea.
930351243-**-**	24" Lockable Drop Pin (LB224BX-KSA)	10	n/a	\$223.30ea.
958050780	5" x 78" Aluminum Post Insert	16	\$146.39ea.	

1½" X 36" CLASSIC STRAIGHT



Part No.	1 1/2" x 36" Classic Straight Fence	Qty.	White: 01	Almond: 03	Clay: 04	Black: 07
313110360-**-	Special Length Section		\$31.97ft.	\$35.16ft.	\$41.56ft.	\$46.35ft.
313110366-**-	6' Section	24	\$166.75ea.	\$183.43ea.	\$216.78ea.	\$241.79ea.
313110368-**-	8' Section	24	\$222.33ea.	\$244.56ea.	\$289.03ea.	\$322.37ea.

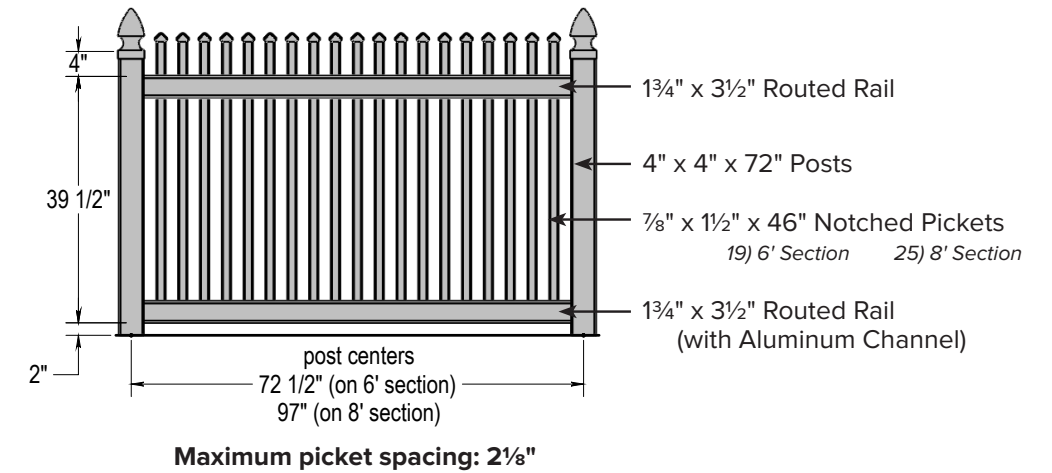
Part No.	Posts & Caps	Qty.	White: 01	Almond: 03	Clay: 04	Black: 07
313015360-**-	Line Post	48	\$28.53ea.	\$31.38ea.	\$37.09ea.	\$41.37ea.
313016360-**-	End Post	48	\$28.53ea.	\$31.38ea.	\$37.09ea.	\$41.37ea.
313017360-**-	Corner Post	48	\$28.53ea.	\$31.38ea.	\$37.09ea.	\$41.37ea.
313019360-**-	3-Way Post	48	\$27.50ea.	\$30.24ea.	\$35.74ea.	\$39.87ea.
313018360-**-	Blank Post	48	\$28.53ea.	\$31.38ea.	\$37.09ea.	\$41.37ea.
910021400-**-	4" Spade Cap	45	\$14.71ea.	\$16.18ea.	\$19.12ea.	\$21.33ea.

Part No.	Gates (Hardware not included)	Qty.	White: 01	Almond: 03	Clay: 04	Black: 07
313113360-**-	36" Wide Gate (Unassembled)		\$279.51ea.	\$307.46ea.	\$363.37ea.	\$405.29ea.
313113360-**-	48" Wide Gate (Unassembled)		\$307.46ea.	\$338.20ea.	\$399.70ea.	\$445.81ea.
313113360-**-	60" Wide Gate (Unassembled)		\$338.21ea.	\$372.03ea.	\$439.67ea.	\$490.41ea.
313113360-**-	72" Wide Gate (Unassembled)		\$372.04ea.	\$409.25ea.	\$483.65ea.	\$539.46ea.

Part No.	Gate Hardware	Qty.	White: 01	Black: 07
933000000-**-	Residential Hinge	12	n/a	\$100.54set
933010000-**-	Residential Latch	24	n/a	\$47.66ea.
933020000-**-	Residential Drop Pin Kit	10	n/a	\$91.00ea.
930302120-**-	Regular Multi-Adjust Hinge (TCAMA2)	20	\$148.11ea.	\$148.11ea.
930312010-**-	Lockable Latch S2 (LLAA)	20	\$74.23set	\$74.23set
930343120-**-	10" Vertical Pull MagnaLatch (ML3VPKA)	10	n/a	\$188.54ea.
930351183-**-	18" Lockable Drop Pin (LB218BX-KSA)	10	n/a	\$201.19ea.
958040600	4" x 60" Aluminum Post Insert	24	\$89.96ea.	

Note: Straight Picket Fence Gates will be convex unless straight top is requested.

1½" X 48" CLASSIC STRAIGHT



Part No.	1 1/2" x 48" Classic Straight Fence	Qty.	White: 01	Almond: 03	Clay: 04	Black: 07
313110480-**-	Special Length Section		\$37.61ft.	\$41.37ft.	\$48.89ft.	\$54.54ft.
313110486-**-	6' Section	24	\$196.16ea.	\$215.77ea.	\$255.00ea.	\$284.42ea.
313110488-**-	8' Section	24	\$261.54ea.	\$287.69ea.	\$340.00ea.	\$379.23ea.

Part No.	Posts & Caps	Qty.	White: 01	Almond: 03	Clay: 04	Black: 07
313015480-**-	Line Post	48	\$34.25ea.	\$37.67ea.	\$44.52ea.	\$49.66ea.
313016480-**-	End Post	48	\$34.25ea.	\$37.67ea.	\$44.52ea.	\$49.66ea.
313017480-**-	Corner Post	48	\$34.25ea.	\$37.67ea.	\$44.52ea.	\$49.66ea.
313019480-**-	3-Way Post	48	\$32.99ea.	\$36.29ea.	\$42.89ea.	\$47.84ea.
313018480-**-	Blank Post	48	\$34.25ea.	\$37.67ea.	\$44.52ea.	\$49.66ea.
910021400-**-	4" Spade Cap	45	\$14.71ea.	\$16.18ea.	\$19.12ea.	\$21.33ea.

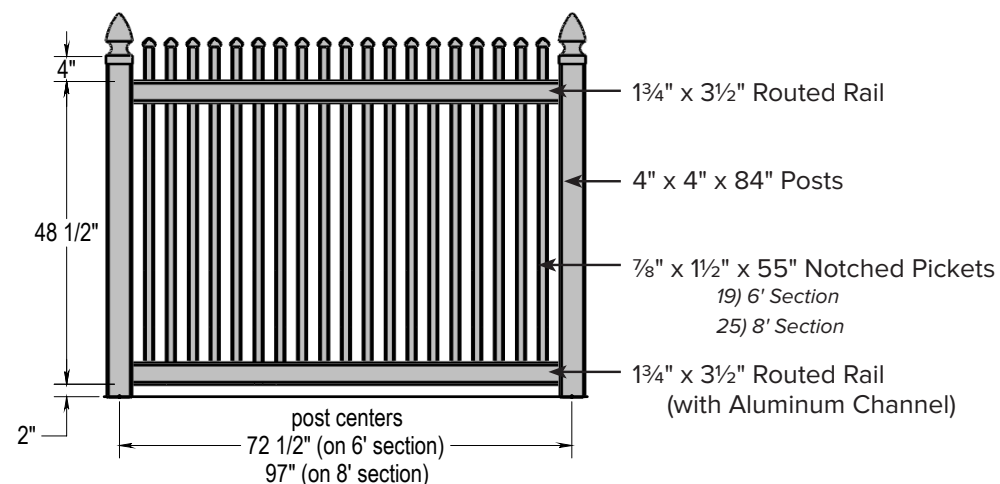
Part No.	Gates (Hardware not included)	Qty.	White: 01	Almond: 03	Clay: 04	Black: 07
313113480-**-	36" Wide Gate (Unassembled)		\$310.57ea.	\$341.63ea.	\$403.74ea.	\$450.33ea.
313113480-**-	48" Wide Gate (Unassembled)		\$341.62ea.	\$375.78ea.	\$444.11ea.	\$495.35ea.
313113480-**-	60" Wide Gate (Unassembled)		\$375.78ea.	\$413.35ea.	\$488.51ea.	\$544.88ea.
313113480-**-	72" Wide Gate (Unassembled)		\$413.36ea.	\$454.70ea.	\$537.37ea.	\$599.37ea.

Part No.	Gate Hardware	Qty.	White: 01	Black: 07
933000000-**-	Residential Hinge	12	n/a	\$100.54set
933010000-**-	Residential Latch	24	n/a	\$47.66ea.
933010200-**-	Residential 2-Way Latch	24	n/a	\$43.87ea.
930302120-**-	Regular Multi-Adjust Hinge (TCAMA2)	20	\$148.11ea.	\$148.11ea.
930312010-**-	Lockable Latch S2 (LLAA)	20	\$74.23set	\$74.23set
930343120-**-	10" Vertical Pull MagnaLatch (ML3VPKA)	10	n/a	\$188.54ea.
930351183-**-	18" Lockable Drop Pin (LB218BX-KSA)	10	n/a	\$201.19ea.
958040720	4" x 72" Aluminum Post Insert	20	\$107.95ea.	

Note: Straight Picket Fence Gates will be convex unless straight top is requested.



1 1/2" X 57" CLASSIC STRAIGHT



Maximum picket spacing: 2 1/8"

Part No.	1 1/2" x 57" Classic Straight Fence	Qty.	White: 01	Almond: 03	Clay: 04	Black: 07
313130570-**	Special Length Section (Pool Code)		\$41.36ft.	\$45.49ft.	\$53.76ft.	n/a
313130576-**	6' Section (Pool Code)	24	\$215.78ea.	\$237.35ea.	\$280.51ea.	n/a
313130578-**	8' Section (Pool Code)	24	\$287.69ea.	\$316.46ea.	\$374.00ea.	n/a

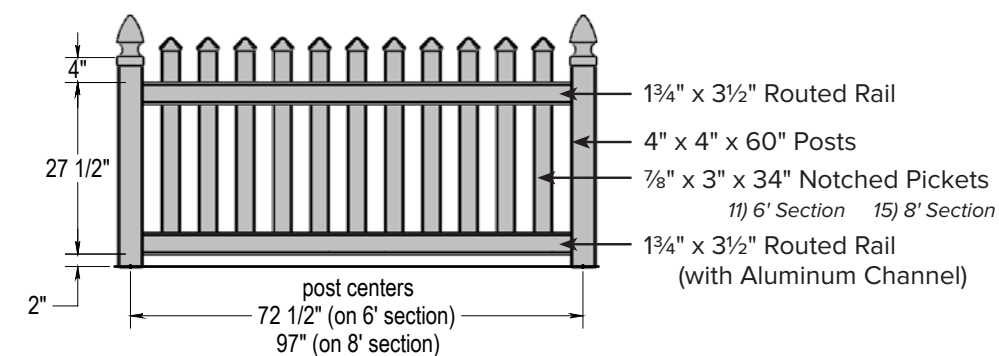
Part No.	Posts & Caps	Qty.	White: 01	Almond: 03	Clay: 04	Black: 07
313035570-**	Line Post (Pool Code)	48	\$39.95ea.	\$43.95ea.	\$51.94ea.	\$57.93ea.
313036570-**	End Post (Pool Code)	48	\$39.95ea.	\$43.95ea.	\$51.94ea.	\$57.93ea.
313037570-**	Corner Post (Pool Code)	48	\$39.95ea.	\$43.95ea.	\$51.94ea.	\$57.93ea.
313039570-**	3-Way Post (Pool Code)	48	\$38.49ea.	\$42.34ea.	\$50.04ea.	\$55.81ea.
313038570-**	Blank Post (Pool Code)	48	\$39.95ea.	\$43.95ea.	\$51.94ea.	\$57.93ea.
910021400-**	4" Spade Cap	45	\$14.71ea.	\$16.18ea.	\$19.12ea.	\$21.33ea.

Part No.	Gates (Hardware not included)	Qty.	White: 01	Almond: 03	Clay: 04	Black: 07
313133570-**	36" Wide Gate (Pool Code - Unassembled)		\$341.62ea.	\$375.78ea.	\$444.11ea.	n/a
313133570-**	48" Wide Gate (Pool Code - Unassembled)		\$375.78ea.	\$413.35ea.	\$488.51ea.	n/a

Part No.	Gate Hardware	Qty.	White: 01	Black: 07
933000000-**	Residential Hinge	12	n/a	\$100.54set
933010000-**	Residential Latch	24	n/a	\$47.66ea.
933010200-**	Residential 2-Way Latch	24	n/a	\$43.87ea.
933130000-**	Commercial Spring	10	n/a	\$91.20ea.
930302120-**	Regular Multi-Adjust Hinge (TCAMA2)	20	\$148.11set	\$148.11set
930343220-**	20" Top Pull MagnaLatch (ML3TPKA)	10	n/a	\$199.10ea.
930351183-**	18" Lockable Drop Pin (LB218BX-KSA)	10	n/a	\$201.19ea.
958040720	4" x 72" Aluminum Post Insert	20	\$107.95ea.	

Note: Straight Picket Fence Gates will be convex unless straight top is requested.

3" X 36" CLASSIC STRAIGHT



Maximum picket spacing: 3 1/4"

Part No.	3" x 36" Classic Straight Fence	Qty.	White: 01	Almond: 03	Clay: 04	Black: 07
313310360-**	Special Length Section		\$26.63ft.	\$29.29ft.	\$34.62ft.	\$38.61ft.
313310366-**	6' Section	24	\$138.96ea.	\$152.86ea.	\$180.65ea.	\$201.49ea.
313310368-**	8' Section	24	\$185.26ea.	\$203.78ea.	\$240.83ea.	\$268.62ea.

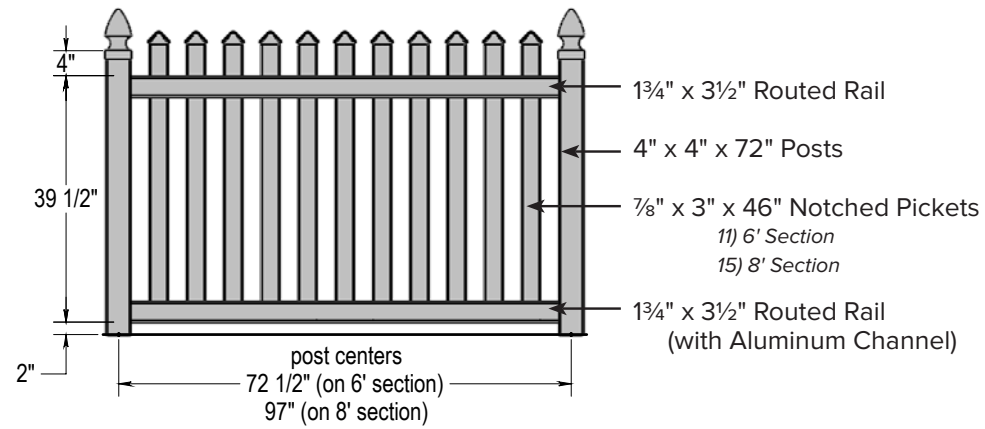
Part No.	Posts & Caps	Qty.	White: 01	Almond: 03	Clay: 04	Black: 07
313015360-**	Line Post	48	\$28.53ea.	\$31.38ea.	\$37.09ea.	\$41.37ea.
313016360-**	End Post	48	\$28.53ea.	\$31.38ea.	\$37.09ea.	\$41.37ea.
313017360-**	Corner Post	48	\$28.53ea.	\$31.38ea.	\$37.09ea.	\$41.37ea.
313019360-**	3-Way Post	48	\$27.50ea.	\$30.24ea.	\$35.74ea.	\$39.87ea.
313018360-**	Blank Post	48	\$28.53ea.	\$31.38ea.	\$37.09ea.	\$41.37ea.
910021400-**	4" Spade Cap	45	\$14.71ea.	\$16.18ea.	\$19.12ea.	\$21.33ea.

Part No.	Gates (Hardware not included)	Qty.	White: 01	Almond: 03	Clay: 04	Black: 07
313313360-**	36" Wide Gate (Unassembled)		\$279.51ea.	\$307.46ea.	\$363.37ea.	\$405.29ea.
313313360-**	48" Wide Gate (Unassembled)		\$307.46ea.	\$338.20ea.	\$399.70ea.	\$445.81ea.
313313360-**	60" Wide Gate (Unassembled)		\$338.21ea.	\$372.03ea.	\$439.67ea.	\$490.41ea.
313313360-**	72" Wide Gate (Unassembled)		\$372.04ea.	\$409.25ea.	\$483.65ea.	\$539.46ea.

Part No.	Gate Hardware	Qty.	White: 01	Black: 07
933000000-**	Residential Hinge	12	n/a	\$100.54set
933010000-**	Residential Latch	24	n/a	\$47.66ea.
933020000-**	Residential Drop Pin Kit	10	n/a	\$91.00ea.
930302120-**	Regular Multi-Adjust Hinge (TCAMA2)	20	\$148.11ea.	\$148.11ea.
930312010-**	Lockable Latch S2 (LLAA)	20	\$74.23set	\$74.23set
930343120-**	10" Vertical Pull MagnaLatch (ML3VPKA)	10	n/a	\$188.54ea.
930351183-**	18" Lockable Drop Pin (LB218BX-KSA)	10	n/a	\$201.19ea.
958040600	4" x 60" Aluminum Post Insert	20	\$89.96ea.	

Note: Straight Picket Fence Gates will be convex unless straight top is requested.

3" X 48" CLASSIC STRAIGHT



Maximum picket spacing: 3 1/4"

Part No.	3" x 48" Classic Straight Fence	Qty.	White: 01	Almond: 03	Clay: 04	Black: 07
313310480-**	Special Length Section		\$31.33ft.	\$34.46ft.	\$40.73ft.	\$45.43ft.
313310486-**	6' Section	24	\$163.48ea.	\$179.82ea.	\$212.52ea.	\$237.04ea.
313310488-**	8' Section	24	\$217.94ea.	\$239.74ea.	\$283.33ea.	\$316.02ea.

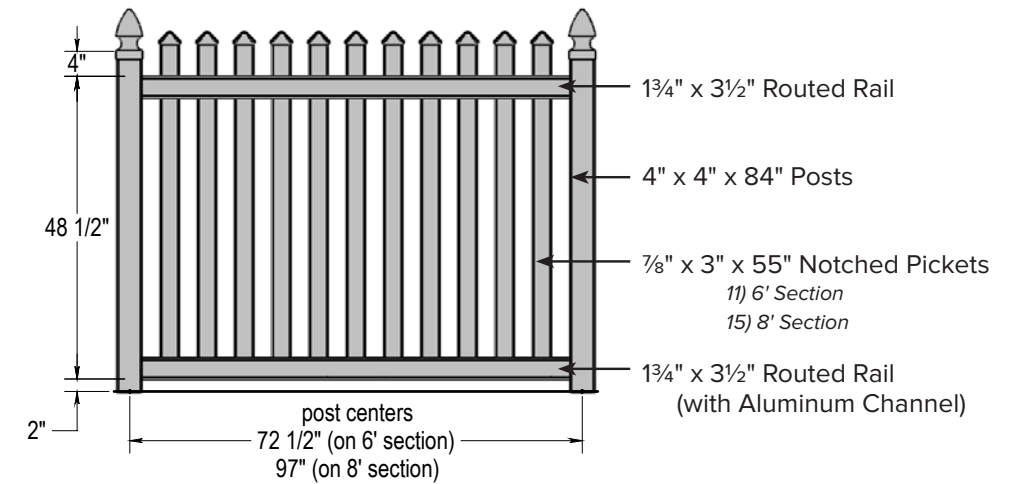
Part No.	Posts & Caps	Qty.	White: 01	Almond: 03	Clay: 04	Black: 07
313015480-**	Line Post	48	\$34.25ea.	\$37.67ea.	\$44.52ea.	\$49.66ea.
313016480-**	End Post	48	\$34.25ea.	\$37.67ea.	\$44.52ea.	\$49.66ea.
313017480-**	Corner Post	48	\$34.25ea.	\$37.67ea.	\$44.52ea.	\$49.66ea.
313019480-**	3-Way Post	48	\$32.99ea.	\$36.29ea.	\$42.89ea.	\$47.84ea.
313018480-**	Blank Post	48	\$34.25ea.	\$37.67ea.	\$44.52ea.	\$49.66ea.
910021400-**	4" Spade Cap	45	\$14.71ea.	\$16.18ea.	\$19.12ea.	\$21.33ea.

Part No.	Gates (Hardware not included)	Qty.	White: 01	Almond: 03	Clay: 04	Black: 07
313313480-**	36" Wide Gate (Unassembled)		\$310.57ea.	\$341.63ea.	\$403.74ea.	\$450.33ea.
313313480-**	48" Wide Gate (Unassembled)		\$341.62ea.	\$375.78ea.	\$444.11ea.	\$495.35ea.
313313480-**	60" Wide Gate (Unassembled)		\$375.78ea.	\$413.35ea.	\$488.51ea.	\$544.88ea.
313313480-**	72" Wide Gate (Unassembled)		\$413.36ea.	\$454.70ea.	\$537.37ea.	\$599.37ea.

Part No.	Gate Hardware	Qty.	White: 01	Black: 07
933000000-**	Residential Hinge	12	n/a	\$100.54set
933010000-**	Residential Latch	24	n/a	\$47.66ea.
933010200-**	Residential 2-Way Latch	24	n/a	\$43.87ea.
930302120-**	Regular Multi-Adjust Hinge (TCAMA2)	20	\$148.11ea.	\$148.11ea.
930312010-**	Lockable Latch S2 (LLAA)	20	\$74.23set	\$74.23set
930343120-**	10" Vertical Pull MagnaLatch (ML3VPKA)	10	n/a	\$188.54ea.
930351183-**	18" Lockable Drop Pin (LB218BX-KSA)	10	n/a	\$201.19ea.
958040720-**	4" x 72" Aluminum Post Insert	20	\$107.95ea.	

Note: Straight Picket Fence Gates will be convex unless straight top is requested.

3" X 57" CLASSIC STRAIGHT



Maximum picket spacing: 3 1/4"

Part No.	3" x 57" Classic Straight Fence	Qty.	White: 01	Almond: 03	Clay: 04	Black: 07
313330570-**	Special Length Section (Pool Code)		\$34.45ft.	\$37.90ft.	\$44.79ft.	n/a
313330576-**	6' Section (Pool Code)	24	\$179.81ea.	\$197.79ea.	\$233.75ea.	n/a
313330578-**	8' Section (Pool Code)	24	\$239.73ea.	\$263.71ea.	\$311.65ea.	n/a

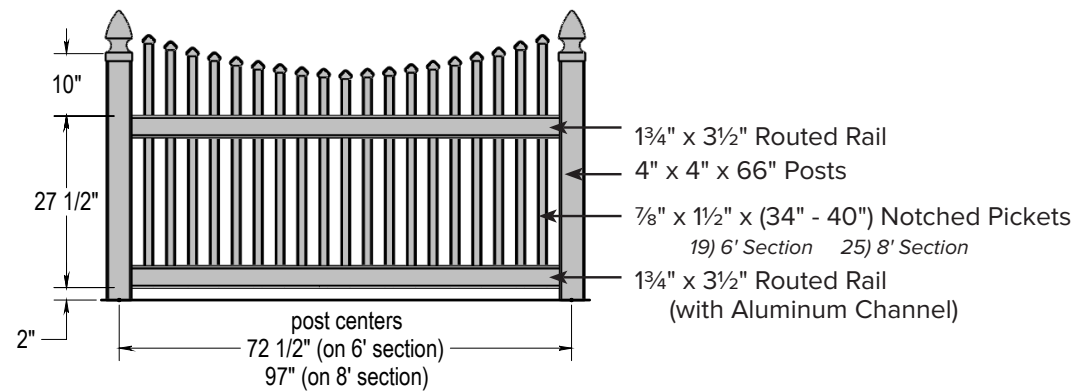
Part No.	Posts & Caps	Qty.	White: 01	Almond: 03	Clay: 04	Black: 07
313035570-**	Line Post (Pool Code)	48	\$39.95ea.	\$43.95ea.	\$51.94ea.	\$57.93ea.
313036570-**	End Post (Pool Code)	48	\$39.95ea.	\$43.95ea.	\$51.94ea.	\$57.93ea.
313037570-**	Corner Post (Pool Code)	48	\$39.95ea.	\$43.95ea.	\$51.94ea.	\$57.93ea.
313039570-**	3-Way Post (Pool Code)	48	\$38.49ea.	\$42.34ea.	\$50.04ea.	\$55.81ea.
313038570-**	Blank Post (Pool Code)	48	\$39.95ea.	\$43.95ea.	\$51.94ea.	\$57.93ea.
910021400-**	4" Spade Cap	45	\$14.71ea.	\$16.18ea.	\$19.12ea.	\$21.33ea.

Part No.	Gates (Hardware not included)	Qty.	White: 01	Almond: 03	Clay: 04	Black: 07
313333570-**	36" Wide Gate (Pool Code - Unassembled)		\$341.62ea.	\$375.78ea.	\$444.11ea.	n/a
313333570-**	48" Wide Gate (Pool Code - Unassembled)		\$375.78ea.	\$413.35ea.	\$488.51ea.	n/a

Part No.	Gate Hardware	Qty.	White: 01	Black: 07
933000000-**	Residential Hinge	12	n/a	\$100.54set
933010000-**	Residential Latch	24	n/a	\$47.66ea.
933010200-**	Residential 2-Way Latch	24	n/a	\$43.87ea.
933130000-**	Commercial Spring	10	n/a	\$91.20ea.
930302120-**	Regular Multi-Adjust Hinge (TCAMA2)	20	\$148.11set	\$148.11set
930343220-**	20" Top Pull MagnaLatch (ML3TPKA)	10	n/a	\$199.10ea.
930351183-**	18" Lockable Drop Pin (LB218BX-KSA)	10	n/a	\$201.19ea.
958040720-**	4" x 72" Aluminum Post Insert	20	\$107.95ea.	

Note: Straight Picket Fence Gates will be convex unless straight top is requested.

1½" X 36" CLASSIC CONCAVE



Maximum picket spacing: 2½"
Height measurements taken at low point.

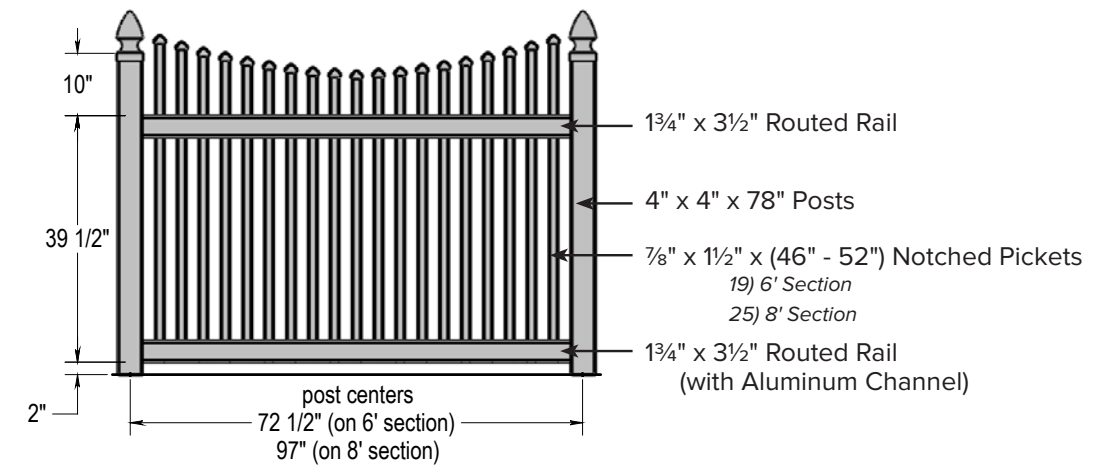
Part No.	1 1/2" x 36" Classic Concave Fence	Qty.	White: 01	Almond: 03	Clay: 04	Black: 07
313120360-**-	Special Length Section		\$35.15ft.	\$38.67ft.	\$45.70ft.	\$50.97ft.
313120366-**-	6' Section	24	\$183.42ea.	\$201.76ea.	\$238.45ea.	\$265.96ea.
313120368-**-	8' Section	24	\$244.57ea.	\$269.02ea.	\$317.94ea.	\$354.62ea.

Part No.	Posts & Caps	Qty.	White: 01	Almond: 03	Clay: 04	Black: 07
313025360-**-	Line Post	48	\$31.36ea.	\$34.49ea.	\$40.76ea.	\$45.47ea.
313026360-**-	End Post	48	\$31.36ea.	\$34.49ea.	\$40.76ea.	\$45.47ea.
313027360-**-	Corner Post	48	\$31.36ea.	\$34.49ea.	\$40.76ea.	\$45.47ea.
313029360-**-	3-Way Post	48	\$30.21ea.	\$33.23ea.	\$39.28ea.	\$43.81ea.
313028360-**-	Blank Post	48	\$31.36ea.	\$34.49ea.	\$40.76ea.	\$45.47ea.
910021400-**-	4" Spade Cap	45	\$14.71ea.	\$16.18ea.	\$19.12ea.	\$21.33ea.

Part No.	Gates (Hardware not included)	Qty.	White: 01	Almond: 03	Clay: 04	Black: 07
313123360-**-	36" Wide Gate (Unassembled)		\$279.51ea.	\$307.46ea.	\$363.37ea.	\$405.29ea.
313123360-**-	48" Wide Gate (Unassembled)		\$307.46ea.	\$338.20ea.	\$399.70ea.	\$445.81ea.
313123360-**-	60" Wide Gate (Unassembled)		\$338.21ea.	\$372.03ea.	\$439.67ea.	\$490.41ea.
313123360-**-	72" Wide Gate (Unassembled)		\$372.04ea.	\$409.25ea.	\$483.65ea.	\$539.46ea.

Part No.	Gate Hardware	Qty.	White: 01	Black: 07
933000000-**-	Residential Hinge	12	n/a	\$100.54set
933010000-**-	Residential Latch	24	n/a	\$47.66ea.
933020000-**-	Residential Drop Pin Kit	10	n/a	\$91.00ea.
930302120-**-	Regular Multi-Adjust Hinge (TCAMA2)	20	\$148.11ea.	\$148.11ea.
930312010-**-	Lockable Latch S2 (LLAA)	20	\$74.23set	\$74.23set
930343120-**-	10" Vertical Pull MagnaLatch (ML3VPKA)	10	n/a	\$188.54ea.
930351183-**-	18" Lockable Drop Pin (LB218BX-KSA)	10	n/a	\$201.19ea.
958040600-**-	4" x 60" Aluminum Post Insert	24	\$89.96ea.	

1½" X 48" CLASSIC CONCAVE



Maximum picket spacing: 2½"
Height measurements taken at low point.

Part No.	1 1/2" x 48" Classic Concave Fence	Qty.	White: 01	Almond: 03	Clay: 04	Black: 07
313120480-**-	Special Length Section		\$41.36ft.	\$45.50ft.	\$53.77ft.	\$59.98ft.
313120486-**-	6' Section	24	\$215.77ea.	\$237.34ea.	\$280.50ea.	\$312.86ea.
313120488-**-	8' Section	24	\$287.69ea.	\$316.46ea.	\$374.00ea.	\$417.16ea.

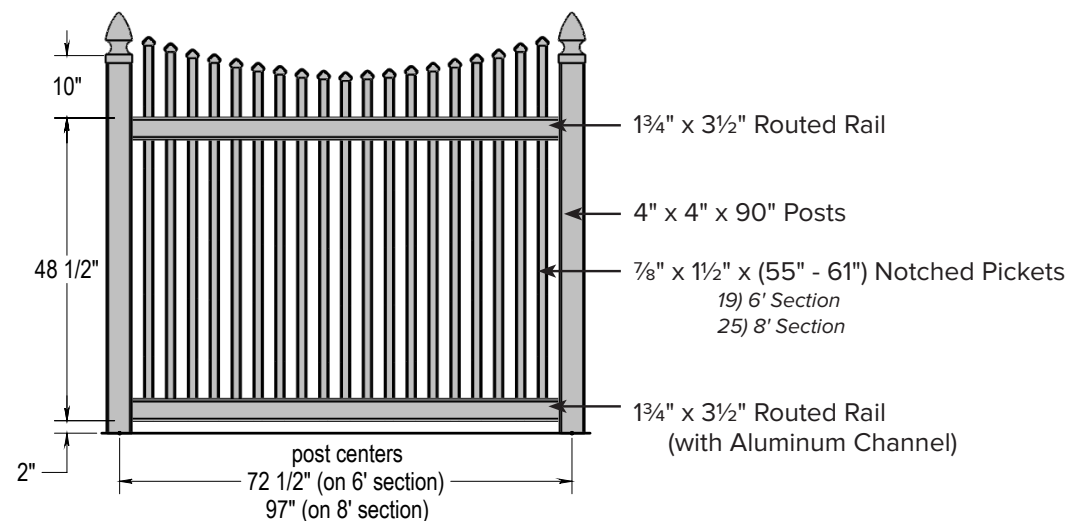
Part No.	Posts & Caps	Qty.	White: 01	Almond: 03	Clay: 04	Black: 07
313025480-**-	Line Post	48	\$39.95ea.	\$43.95ea.	\$51.94ea.	\$57.93ea.
313026480-**-	End Post	48	\$39.95ea.	\$43.95ea.	\$51.94ea.	\$57.93ea.
313027480-**-	Corner Post	48	\$39.95ea.	\$43.95ea.	\$51.94ea.	\$57.93ea.
313029480-**-	3-Way Post	48	\$38.49ea.	\$42.34ea.	\$50.04ea.	\$55.81ea.
313028480-**-	Blank Post	48	\$39.95ea.	\$43.95ea.	\$51.94ea.	\$57.93ea.
910021400-**-	4" Spade Cap	45	\$14.71ea.	\$16.18ea.	\$19.12ea.	\$21.33ea.

Part No.	Gates (Hardware not included)	Qty.	White: 01	Almond: 03	Clay: 04	Black: 07
313123480-**-	36" Wide Gate (Unassembled)		\$310.57ea.	\$341.63ea.	\$403.74ea.	\$450.33ea.
313123480-**-	48" Wide Gate (Unassembled)		\$341.62ea.	\$375.78ea.	\$444.11ea.	\$495.35ea.
313123480-**-	60" Wide Gate (Unassembled)		\$375.78ea.	\$413.35ea.	\$488.51ea.	\$544.88ea.
313123480-**-	72" Wide Gate (Unassembled)		\$413.36ea.	\$454.70ea.	\$537.37ea.	\$599.37ea.

Part No.	Gate Hardware	Qty.	White: 01	Black: 07
933000000-**-	Residential Hinge	12	n/a	\$100.54set
933010000-**-	Residential Latch	24	n/a	\$47.66ea.
933020000-**-	Residential Drop Pin Kit	10	n/a	\$91.00ea.
930302120-**-	Regular Multi-Adjust Hinge (TCAMA2)	20	\$148.11ea.	\$148.11ea.
930312010-**-	Lockable Latch S2 (LLAA)	20	\$74.23set	\$74.23set
930343120-**-	10" Vertical Pull MagnaLatch (ML3VPKA)	10	n/a	\$188.54ea.
930351183-**-	18" Lockable Drop Pin (LB218BX-KSA)	10	n/a	\$201.19ea.
958040720-**-	4" x 72" Aluminum Post Insert	20	\$107.95ea.	



1½" X 57" CLASSIC CONCAVE



Maximum picket spacing: 2½"
Height measurements taken at low point.

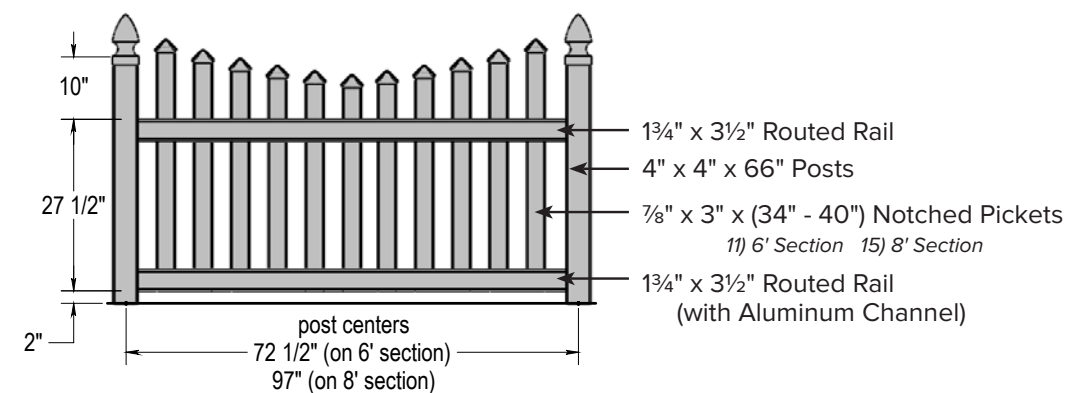
Part No.	1 1/2" x 57" Classic Concave Fence	Qty.	White: 01	Almond: 03	Clay: 04	Black: 07
313140570-**	Special Length Section (Pool Code)		\$45.49ft.	\$50.03ft.	\$59.13ft.	n/a
313140576-**	6' Section (Pool Code)	24	\$237.34ea.	\$261.07ea.	\$308.54ea.	n/a
313140578-**	8' Section (Pool Code)	24	\$316.46ea.	\$348.10ea.	\$411.40ea.	n/a

Part No.	Posts & Caps	Qty.	White: 01	Almond: 03	Clay: 04	Black: 07
313045570-**	Line Post (Pool Code)	48	\$42.78ea.	\$47.05ea.	\$55.61ea.	\$62.03ea.
313046570-**	End Post (Pool Code)	48	\$42.78ea.	\$47.05ea.	\$55.61ea.	\$62.03ea.
313047570-**	Corner Post (Pool Code)	48	\$42.78ea.	\$47.05ea.	\$55.61ea.	\$62.03ea.
313049570-**	3-Way Post (Pool Code)	48	\$41.22ea.	\$45.34ea.	\$53.59ea.	\$59.77ea.
313048570-**	Blank Post (Pool Code)	48	\$42.78ea.	\$47.05ea.	\$55.61ea.	\$62.03ea.
910021400-**	4" Spade Cap	45	\$14.71ea.	\$16.18ea.	\$19.12ea.	\$21.33ea.

Part No.	Gates (Hardware not included)	Qty.	White: 01	Almond: 03	Clay: 04	Black: 07
313143570-**	36" Wide Gate (Pool Code - Unassembled)		\$341.62ea.	\$375.78ea.	\$444.11ea.	n/a
313143570-**	48" Wide Gate (Pool Code - Unassembled)		\$375.78ea.	\$413.35ea.	\$488.51ea.	n/a

Part No.	Gate Hardware	Qty.	White: 01	Black: 07
933000000-**	Residential Hinge	12	n/a	\$100.54set
933010000-**	Residential Latch	24	n/a	\$47.66ea.
933010200-**	Residential 2-Way Latch	24	n/a	\$43.87ea.
933130000-**	Commercial Spring	10	n/a	\$91.20ea.
930302120-**	Regular Multi-Adjust Hinge (TCAMA2)	20	\$148.11set	\$148.11set
930343220-**	20" Top Pull MagnaLatch (ML3TPKA)	10	n/a	\$199.10ea.
930351183-**	18" Lockable Drop Pin (LB218BX-KSA)	10	n/a	\$201.19ea.
958040720-**	4" x 72" Aluminum Post Insert	20	\$107.95ea.	

3" X 36" CLASSIC CONCAVE



Maximum picket spacing: 3¼"
Height measurements taken at low point.

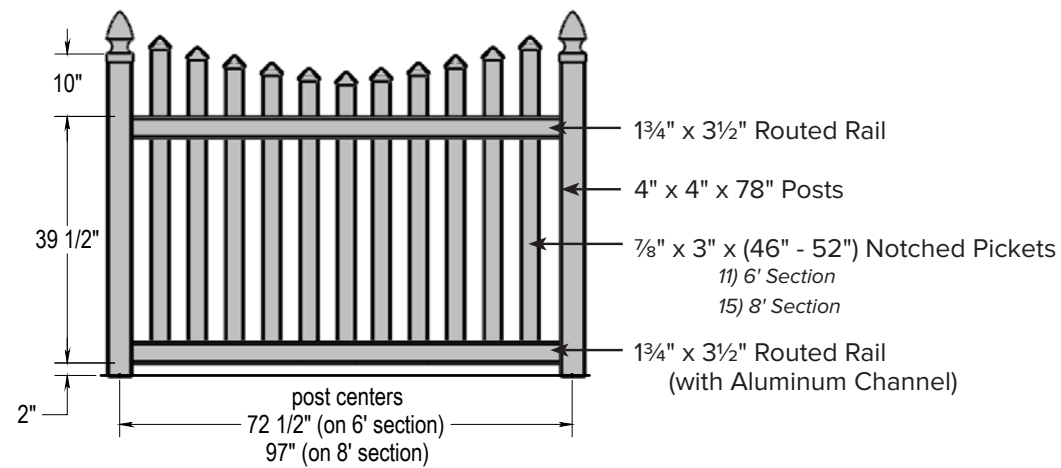
Part No.	3" x 36" Classic Concave Fence	Qty.	White: 01	Almond: 03	Clay: 04	Black: 07
313320360-**	Special Length Section		\$29.30ft.	\$32.22ft.	\$38.08ft.	\$42.48ft.
313320366-**	6' Section	24	\$152.85ea.	\$168.13ea.	\$198.70ea.	\$221.63ea.
313320368-**	8' Section	24	\$203.79ea.	\$224.17ea.	\$264.92ea.	\$295.49ea.

Part No.	Posts & Caps	Qty.	White: 01	Almond: 03	Clay: 04	Black: 07
313025360-**	Line Post	48	\$31.36ea.	\$34.49ea.	\$40.76ea.	\$45.47ea.
313026360-**	End Post	48	\$31.36ea.	\$34.49ea.	\$40.76ea.	\$45.47ea.
313027360-**	Corner Post	48	\$31.36ea.	\$34.49ea.	\$40.76ea.	\$45.47ea.
313029360-**	3-Way Post	48	\$30.21ea.	\$33.23ea.	\$39.28ea.	\$43.81ea.
313028360-**	Blank Post	48	\$31.36ea.	\$34.49ea.	\$40.76ea.	\$45.47ea.
910021400-**	4" Spade Cap	45	\$14.71ea.	\$16.18ea.	\$19.12ea.	\$21.33ea.

Part No.	Gates (Hardware not included)	Qty.	White: 01	Almond: 03	Clay: 04	Black: 07
313323360-**	36" Wide Gate (Unassembled)		\$279.51ea.	\$307.46ea.	\$363.37ea.	\$405.29ea.
313323360-**	48" Wide Gate (Unassembled)		\$307.46ea.	\$338.20ea.	\$399.70ea.	\$445.81ea.
313323360-**	60" Wide Gate (Unassembled)		\$338.21ea.	\$372.03ea.	\$439.67ea.	\$490.41ea.
313323360-**	72" Wide Gate (Unassembled)		\$372.04ea.	\$409.25ea.	\$483.65ea.	\$539.46ea.

Part No.	Gate Hardware	Qty.	White: 01	Black: 07
933000000-**	Residential Hinge	12	n/a	\$100.54set
933010000-**	Residential Latch	24	n/a	\$47.66ea.
933020000-**	Residential Drop Pin Kit	10	n/a	\$91.00ea.
930302120-**	Regular Multi-Adjust Hinge (TCAMA2)	20	\$148.11ea.	\$148.11ea.
930312010-**	Lockable Latch S2 (LLAA)	20	\$74.23set	\$74.23set
930343120-**	10" Vertical Pull MagnaLatch (ML3VPA)	10	n/a	\$188.54ea.
930351183-**	18" Lockable Drop Pin (LB218BX-KSA)	10	n/a	\$201.19ea.
958040600-**	4" x 60" Aluminum Post Insert	24	\$89.96ea.	

3" X 48" CLASSIC CONCAVE



Maximum picket spacing: 3 1/4"
Height measurements taken at low point.

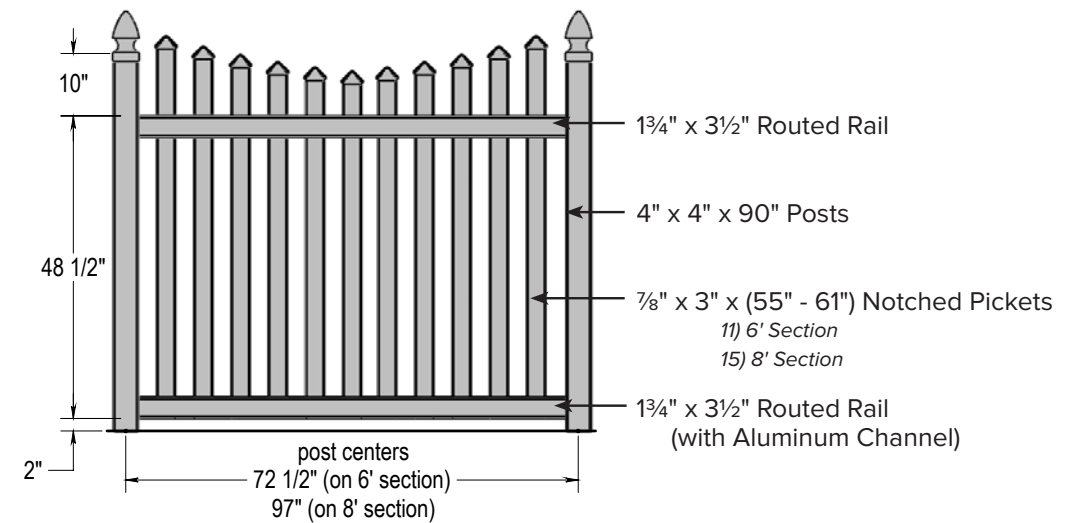
Part No.	3" x 48" Classic Concave Fence	Qty.	White: 01	Almond: 03	Clay: 04	Black: 07
313320480-**	Special Length Section		\$34.45ft.	\$37.90ft.	\$44.79ft.	\$49.96ft.
313320486-**	6' Section	24	\$179.81ea.	\$197.79ea.	\$233.75ea.	\$260.73ea.
313320488-**	8' Section	24	\$239.73ea.	\$263.71ea.	\$311.65ea.	\$347.61ea.

Part No.	Posts & Caps	Qty.	White: 01	Almond: 03	Clay: 04	Black: 07
313025480-**	Line Post	48	\$39.95ea.	\$43.95ea.	\$51.94ea.	\$57.93ea.
313026480-**	End Post	48	\$39.95ea.	\$43.95ea.	\$51.94ea.	\$57.93ea.
313027480-**	Corner Post	48	\$39.95ea.	\$43.95ea.	\$51.94ea.	\$57.93ea.
313029480-**	3-Way Post	48	\$38.49ea.	\$42.34ea.	\$50.04ea.	\$55.81ea.
313028480-**	Blank Post	48	\$39.95ea.	\$43.95ea.	\$51.94ea.	\$57.93ea.
910021400-**	4" Spade Cap	45	\$14.71ea.	\$16.18ea.	\$19.12ea.	\$21.33ea.

Part No.	Gates (Hardware not included)	Qty.	White: 01	Almond: 03	Clay: 04	Black: 07
313323480-**	36" Wide Gate (Unassembled)		\$310.57ea.	\$341.63ea.	\$403.74ea.	\$450.33ea.
313323480-**	48" Wide Gate (Unassembled)		\$341.62ea.	\$375.78ea.	\$444.11ea.	\$495.35ea.
313323480-**	60" Wide Gate (Unassembled)		\$375.78ea.	\$413.35ea.	\$488.51ea.	\$544.88ea.
313323480-**	72" Wide Gate (Unassembled)		\$413.36ea.	\$454.70ea.	\$537.37ea.	\$599.37ea.

Part No.	Gate Hardware	Qty.	White: 01	Black: 07
933000000-**	Residential Hinge	12	n/a	\$100.54set
933010000-**	Residential Latch	24	n/a	\$47.66ea.
933010200-**	Residential 2-Way Latch	24	n/a	\$43.87ea.
930302120-**	Regular Multi-Adjust Hinge (TCAMA2)	20	\$148.11ea.	\$148.11ea.
930312010-**	Lockable Latch S2 (LLAA)	20	\$74.23set	\$74.23set
930343120-**	10" Vertical Pull MagnaLatch (ML3VPKA)	10	n/a	\$188.54ea.
930351183-**	18" Lockable Drop Pin (LB218BX-KSA)	10	n/a	\$201.19ea.
958040720-**	4" x 72" Aluminum Post Insert	20	\$-ea.	

3" X 57" CLASSIC CONCAVE



Maximum picket spacing: 3 1/4"
Height measurements taken at low point.

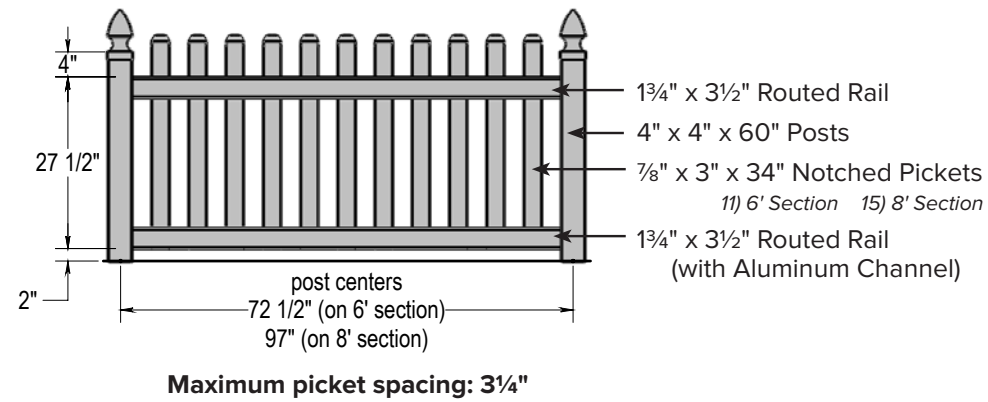
Part No.	3" x 57" Classic Concave Fence	Qty.	White: 01	Almond: 03	Clay: 04	Black: 07
313340570-**	Special Length Section (Pool Code)		\$37.92ft.	\$41.71ft.	\$49.29ft.	n/a
313340576-**	6' Section (Pool Code)	24	\$197.78ea.	\$217.56ea.	\$257.12ea.	\$286.79ea.
313340578-**	8' Section (Pool Code)	24	\$263.72ea.	\$290.09ea.	\$342.83ea.	\$382.39ea.

Part No.	Posts & Caps	Qty.	White: 01	Almond: 03	Clay: 04	Black: 07
313045570-**	Line Post (Pool Code)	48	\$42.78ea.	\$47.05ea.	\$55.61ea.	\$62.03ea.
313046570-**	End Post (Pool Code)	48	\$42.78ea.	\$47.05ea.	\$55.61ea.	\$62.03ea.
313047570-**	Corner Post (Pool Code)	48	\$42.78ea.	\$47.05ea.	\$55.61ea.	\$62.03ea.
313049570-**	3-Way Post (Pool Code)	48	\$41.22ea.	\$45.34ea.	\$53.59ea.	\$59.77ea.
313048570-**	Blank Post (Pool Code)	48	\$42.78ea.	\$47.05ea.	\$55.61ea.	\$62.03ea.
910021400-**	4" Spade Cap	45	\$14.71ea.	\$16.18ea.	\$19.12ea.	\$21.33ea.

Part No.	Gates (Hardware not included)	Qty.	White: 01	Almond: 03	Clay: 04	Black: 07
313343570-**	36" Wide Gate (Pool Code - Unassembled)		\$341.62ea.	\$375.78ea.	\$444.11ea.	\$495.35ea.
313343570-**	48" Wide Gate (Pool Code - Unassembled)		\$375.78ea.	\$413.35ea.	\$488.51ea.	\$544.88ea.

Part No.	Gate Hardware	Qty.	White: 01	Black: 07
933000000-**	Residential Hinge	12	n/a	\$100.54set
933010000-**	Residential Latch	24	n/a	\$47.66ea.
933010200-**	Residential 2-Way Latch	24	n/a	\$43.87ea.
933130000-**	Commercial Spring	10	n/a	\$91.20ea.
930302120-**	Regular Multi-Adjust Hinge (TCAMA2)	20	\$148.11set	\$148.11set
930343220-**	20" Top Pull MagnaLatch (ML3TPKA)	10	n/a	\$199.10ea.
930351183-**	18" Lockable Drop Pin (LB218BX-KSA)	10	n/a	\$201.19ea.
958040720-**	4" x 72" Aluminum Post Insert	20	\$107.95ea.	

36" COLUMBIA STRAIGHT



Part No.	3" x 36" Columbia Straight Fence	Qty.	White: 01	Almond: 03	Clay: 04	Black: 07
314310360-**-	Special Length Section		\$26.63ft.	\$29.29ft.	\$34.62ft.	\$38.61ft.
314310366-**-	6' Section	24	\$138.96ea.	\$152.86ea.	\$180.65ea.	\$201.49ea.
314310368-**-	8' Section	24	\$185.26ea.	\$203.78ea.	\$240.83ea.	\$268.62ea.

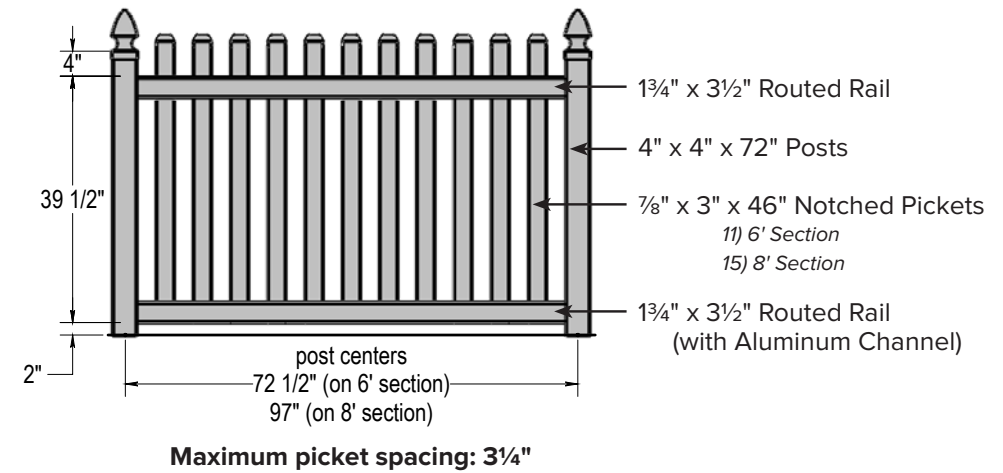
Part No.	Posts & Caps	Qty.	White: 01	Almond: 03	Clay: 04	Black: 07
313015360-**-	Line Post	48	\$28.53ea.	\$31.38ea.	\$37.09ea.	\$41.37ea.
313016360-**-	End Post	48	\$28.53ea.	\$31.38ea.	\$37.09ea.	\$41.37ea.
313017360-**-	Corner Post	48	\$28.53ea.	\$31.38ea.	\$37.09ea.	\$41.37ea.
313019360-**-	3-Way Post	48	\$27.50ea.	\$30.24ea.	\$35.74ea.	\$39.87ea.
313018360-**-	Blank Post	48	\$28.53ea.	\$31.38ea.	\$37.09ea.	\$41.37ea.
910021400-**-	4" Spade Cap	45	\$14.71ea.	\$16.18ea.	\$19.12ea.	\$21.33ea.

Part No.	Gates (Hardware not included)	Qty.	White: 01	Almond: 03	Clay: 04	Black: 07
314313360-**-	36" Wide Gate (Unassembled)		\$279.51ea.	\$307.46ea.	\$363.37ea.	\$405.29ea.
314313360-**-	48" Wide Gate (Unassembled)		\$307.46ea.	\$338.20ea.	\$399.70ea.	\$445.81ea.
314313360-**-	60" Wide Gate (Unassembled)		\$338.21ea.	\$372.03ea.	\$439.67ea.	\$490.41ea.
314313360-**-	72" Wide Gate (Unassembled)		\$372.04ea.	\$409.25ea.	\$483.65ea.	\$539.46ea.

Part No.	Gate Hardware	Qty.	White: 01	Black: 07
933000000-**-	Residential Hinge	12	n/a	\$100.54set
933010000-**-	Residential Latch	24	n/a	\$47.66ea.
933020000-**-	Residential Drop Pin Kit	10	n/a	\$91.00ea.
930302120-**-	Regular Multi-Adjust Hinge (TCAMA2)	20	\$148.11ea.	\$148.11ea.
930312010-**-	Lockable Latch S2 (LLAA)	20	\$74.23set	\$74.23set
930343120-**-	10" Vertical Pull MagnaLatch (ML3VPKA)	10	n/a	\$188.54ea.
930351183-**-	18" Lockable Drop Pin (LB218BX-KSA)	10	n/a	\$201.19ea.
958040600-**-	4" x 60" Aluminum Post Insert	24	\$89.96ea.	

Note: Straight Picket Fence Gates will be convex unless straight top is requested.

48" COLUMBIA STRAIGHT



Part No.	3" x 48" Columbia Straight Fence	Qty.	White: 01	Almond: 03	Clay: 04	Black: 07
314310480-**-	Special Length Section		\$31.33ft.	\$34.46ft.	\$40.73ft.	\$45.43ft.
314310486-**-	6' Section	24	\$163.48ea.	\$179.82ea.	\$212.52ea.	\$237.04ea.
314310488-**-	8' Section	24	\$217.94ea.	\$239.74ea.	\$283.33ea.	\$316.02ea.

Part No.	Posts & Caps	Qty.	White: 01	Almond: 03	Clay: 04	Black: 07
313015480-**-	Line Post	48	\$34.25ea.	\$37.67ea.	\$44.52ea.	\$49.66ea.
313016480-**-	End Post	48	\$34.25ea.	\$37.67ea.	\$44.52ea.	\$49.66ea.
313017480-**-	Corner Post	48	\$34.25ea.	\$37.67ea.	\$44.52ea.	\$49.66ea.
313019480-**-	3-Way Post	48	\$32.99ea.	\$36.29ea.	\$42.89ea.	\$47.84ea.
313018480-**-	Blank Post	48	\$34.25ea.	\$37.67ea.	\$44.52ea.	\$49.66ea.
910021400-**-	4" Spade Cap	45	\$14.71ea.	\$16.18ea.	\$19.12ea.	\$21.33ea.

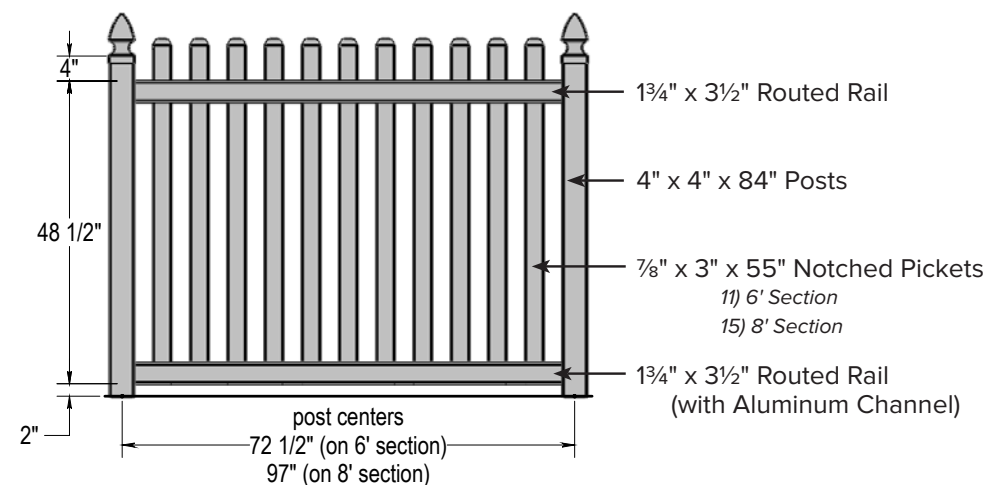
Part No.	Gates (Hardware not included)	Qty.	White: 01	Almond: 03	Clay: 04	Black: 07
314313480-**-	36" Wide Gate (Unassembled)		\$310.57ea.	\$341.63ea.	\$403.74ea.	\$450.33ea.
314313480-**-	48" Wide Gate (Unassembled)		\$341.62ea.	\$375.78ea.	\$444.11ea.	\$495.35ea.
314313480-**-	60" Wide Gate (Unassembled)		\$375.78ea.	\$413.35ea.	\$488.51ea.	\$544.88ea.
314313480-**-	72" Wide Gate (Unassembled)		\$413.36ea.	\$454.70ea.	\$537.37ea.	\$599.37ea.

Part No.	Gate Hardware	Qty.	White: 01	Black: 07
933000000-**-	Residential Hinge	12	n/a	\$100.54set
933010000-**-	Residential Latch	24	n/a	\$47.66ea.
933010200-**-	Residential 2-Way Latch	24	n/a	\$43.87ea.
930302120-**-	Regular Multi-Adjust Hinge (TCAMA2)	20	\$148.11ea.	\$148.11ea.
930312010-**-	Lockable Latch S2 (LLAA)	20	\$74.23set	\$74.23set
930343120-**-	10" Vertical Pull MagnaLatch (ML3VPKA)	10	n/a	\$188.54ea.
930351183-**-	18" Lockable Drop Pin (LB218BX-KSA)	10	n/a	\$201.19ea.
958040720-**-	4" x 72" Aluminum Post Insert	20	\$107.95ea.	

Note: Straight Picket Fence Gates will be convex unless straight top is requested.



57" COLUMBIA STRAIGHT



Maximum picket spacing: 3/4"

Part No.	3" x 57" Columbia Straight Fence	Qty.	White: 01	Almond: 03	Clay: 04	Black: 07
314330570-**	Special Length Section (Pool Code)		\$34.48ft.	\$37.93ft.	\$44.82ft.	n/a
314330576-**	6' Section (Pool Code)	24	\$179.81ea.	\$197.79ea.	\$233.75ea.	n/a
314330578-**	8' Section (Pool Code)	24	\$239.73ea.	\$263.71ea.	\$311.65ea.	n/a

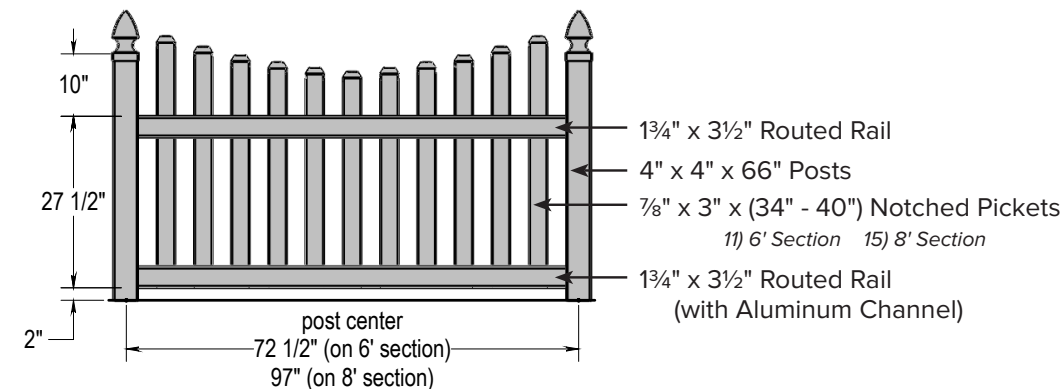
Part No.	Posts & Caps	Qty.	White: 01	Almond: 03	Clay: 04	Black: 07
313035570-**	Line Post (Pool Code)	48	\$39.95ea.	\$43.95ea.	\$51.94ea.	\$57.93ea.
313036570-**	End Post (Pool Code)	48	\$39.95ea.	\$43.95ea.	\$51.94ea.	\$57.93ea.
313037570-**	Corner Post (Pool Code)	48	\$39.95ea.	\$43.95ea.	\$51.94ea.	\$57.93ea.
313039570-**	3-Way Post (Pool Code)	48	\$38.49ea.	\$42.34ea.	\$50.04ea.	\$55.81ea.
313038570-**	Blank Post (Pool Code)	48	\$39.95ea.	\$43.95ea.	\$51.94ea.	\$57.93ea.
910021400-**	4" Spade Cap	45	\$14.71ea.	\$16.18ea.	\$19.12ea.	\$21.33ea.

Part No.	Gates (Hardware not included)	Qty.	White: 01	Almond: 03	Clay: 04	Black: 07
314333570-**	36" Wide Gate (Pool Code - Unassembled)		\$341.62ea.	\$375.78ea.	\$444.11ea.	n/a
314333570-**	48" Wide Gate (Pool Code - Unassembled)		\$375.78ea.	\$413.35ea.	\$488.51ea.	n/a

Part No.	Gate Hardware	Qty.	White: 01	Black: 07
933000000-**	Residential Hinge	12	n/a	\$100.54set
933010000-**	Residential Latch	24	n/a	\$47.66ea.
933010200-**	Residential 2-Way Latch	24	n/a	\$43.87ea.
933130000-**	Commercial Spring	10	n/a	\$91.20ea.
930302120-**	Regular Multi-Adjust Hinge (TCAMA2)	20	\$148.11set	\$148.11set
930343220-**	20" Top Pull MagnaLatch (ML3TPKA)	10	n/a	\$199.10ea.
930351183-**	18" Lockable Drop Pin (LB218BX-KSA)	10	n/a	\$201.19ea.
958040720-**	4" x 72" Aluminum Post Insert	20	\$107.95ea.	

Note: Straight Picket Fence Gates will be convex unless straight top is requested.

36" COLUMBIA CONCAVE



Maximum picket spacing: 3/4"
Height measurements taken at low point.

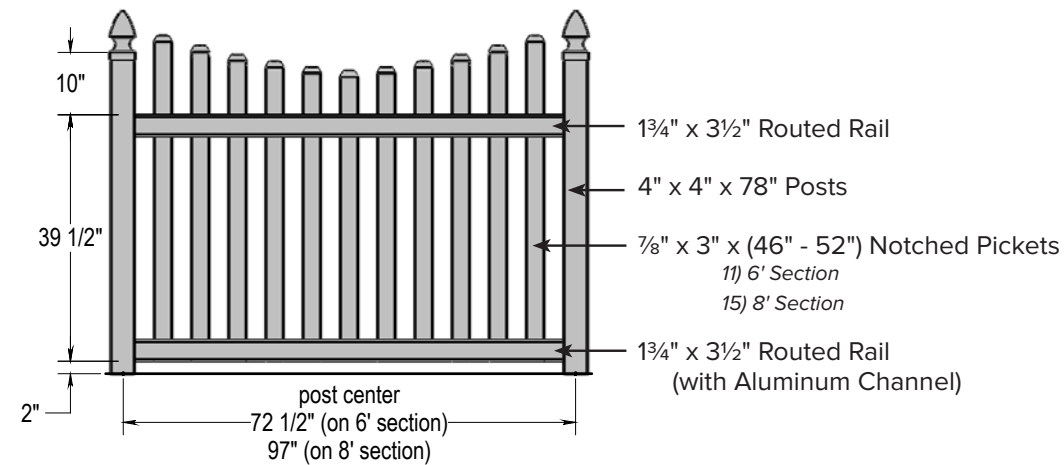
Part No.	3" x 36" Columbia Concave Fence	Qty.	White: 01	Almond: 03	Clay: 04	Black: 07
314320360-**	Special Length Section		\$29.30ft.	\$32.22ft.	\$38.08ft.	\$42.48ft.
314320366-**	6' Section	24	\$152.85ea.	\$168.13ea.	\$198.70ea.	\$221.63ea.
314320368-**	8' Section	24	\$203.79ea.	\$224.17ea.	\$264.92ea.	\$295.49ea.

Part No.	Posts & Caps	Qty.	White: 01	Almond: 03	Clay: 04	Black: 07
313025360-**	Line Post	48	\$31.36ea.	\$34.49ea.	\$40.76ea.	\$45.47ea.
313026360-**	End Post	48	\$31.36ea.	\$34.49ea.	\$40.76ea.	\$45.47ea.
313027360-**	Corner Post	48	\$31.36ea.	\$34.49ea.	\$40.76ea.	\$45.47ea.
313029360-**	3-Way Post	48	\$30.21ea.	\$33.23ea.	\$39.28ea.	\$43.81ea.
313028360-**	Blank Post	48	\$31.36ea.	\$34.49ea.	\$40.76ea.	\$45.47ea.
910021400-**	4" Spade Cap	45	\$14.71ea.	\$16.18ea.	\$19.12ea.	\$21.33ea.

Part No.	Gates (Hardware not included)	Qty.	White: 01	Almond: 03	Clay: 04	Black: 07
314323360-**	36" Wide Gate (Unassembled)		\$279.51ea.	\$307.46ea.	\$363.37ea.	\$405.29ea.
314323360-**	48" Wide Gate (Unassembled)		\$307.46ea.	\$338.20ea.	\$399.70ea.	\$445.81ea.
314323360-**	60" Wide Gate (Unassembled)		\$338.21ea.	\$372.03ea.	\$439.67ea.	\$490.41ea.
314323360-**	72" Wide Gate (Unassembled)		\$372.04ea.	\$409.25ea.	\$483.65ea.	\$539.46ea.

Part No.	Gate Hardware	Qty.	White: 01	Black: 07
933000000-**	Residential Hinge	12	n/a	\$100.54set
933010000-**	Residential Latch	24	n/a	\$47.66ea.
933020000-**	Residential Drop Pin Kit	10	n/a	\$91.00ea.
930302120-**	Regular Multi-Adjust Hinge (TCAMA2)	20	\$148.11ea.	\$148.11ea.
930312010-**	Lockable Latch S2 (LLAA)	20	\$74.23set	\$74.23set
930343120-**	10" Vertical Pull MagnaLatch (ML3VPKA)	10	n/a	\$188.54ea.
930351183-**	18" Lockable Drop Pin (LB218BX-KSA)	10	n/a	\$201.19ea.
958040600-**	4" x 60" Aluminum Post Insert	20	\$89.96ea.	

48" COLUMBIA CONCAVE



Maximum picket spacing: 3/4"
Height measurements taken at low point.

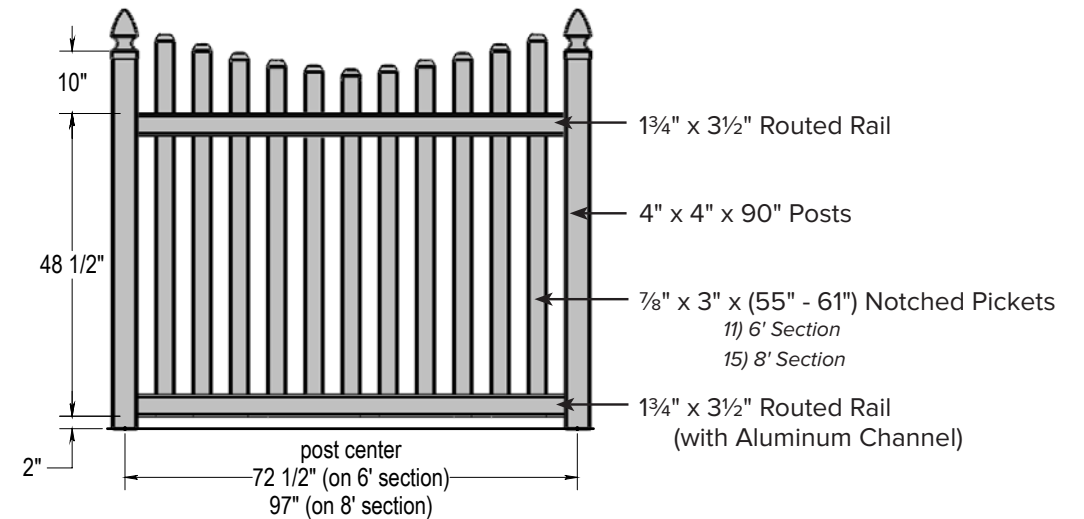
Part No.	3" x 48" Columbia Concave Fence	Qty.	White: 01	Almond: 03	Clay: 04	Black: 07
314320480-**-	Special Length Section		\$34.48ft.	\$37.93ft.	\$44.82ft.	\$49.99ft.
314320486-**-	6' Section	24	\$179.81ea.	\$197.79ea.	\$233.75ea.	\$260.73ea.
314320488-**-	8' Section	24	\$239.73ea.	\$263.71ea.	\$311.65ea.	\$347.61ea.

Part No.	Posts & Caps	Qty.	White: 01	Almond: 03	Clay: 04	Black: 07
313025480-**-	Line Post	48	\$39.95ea.	\$43.95ea.	\$51.94ea.	\$57.93ea.
313026480-**-	End Post	48	\$39.95ea.	\$43.95ea.	\$51.94ea.	\$57.93ea.
313027480-**-	Corner Post	48	\$39.95ea.	\$43.95ea.	\$51.94ea.	\$57.93ea.
313029480-**-	3-Way Post	48	\$38.49ea.	\$42.34ea.	\$50.04ea.	\$55.81ea.
313028480-**-	Blank Post	48	\$39.95ea.	\$43.95ea.	\$51.94ea.	\$57.93ea.
910021400-**-	4" Spade Cap	45	\$14.71ea.	\$16.18ea.	\$19.12ea.	\$21.33ea.

Part No.	Gates (Hardware not included)	Qty.	White: 01	Almond: 03	Clay: 04	Black: 07
314323480-**-	36" Wide Gate (Unassembled)		\$310.57ea.	\$341.63ea.	\$403.74ea.	\$450.33ea.
314323480-**-	48" Wide Gate (Unassembled)		\$341.62ea.	\$375.78ea.	\$444.11ea.	\$495.35ea.
314323480-**-	60" Wide Gate (Unassembled)		\$375.78ea.	\$413.35ea.	\$488.51ea.	\$544.88ea.
314323480-**-	72" Wide Gate (Unassembled)		\$413.36ea.	\$454.70ea.	\$537.37ea.	\$599.37ea.

Part No.	Gate Hardware	Qty.	White: 01	Black: 07
933000000-**-	Residential Hinge	12	n/a	\$100.54set
933010000-**-	Residential Latch	24	n/a	\$47.66ea.
933010200-**-	Residential 2-Way Latch	24	n/a	\$43.87ea.
930302120-**-	Regular Multi-Adjust Hinge (TCAMA2)	20	\$148.11ea.	\$148.11ea.
930312010-**-	Lockable Latch S2 (LLAA)	20	\$74.23set	\$74.23set
930343120-**-	10" Vertical Pull MagnaLatch (ML3VPKA)	10	n/a	\$188.54ea.
930351183-**-	18" Lockable Drop Pin (LB218BX-KSA)	10	n/a	\$201.19ea.
958040720-**-	4" x 72" Aluminum Post Insert	20	\$107.95ea.	

57" COLUMBIA CONCAVE



Maximum picket spacing: 3/4"
Height measurements taken at low point.

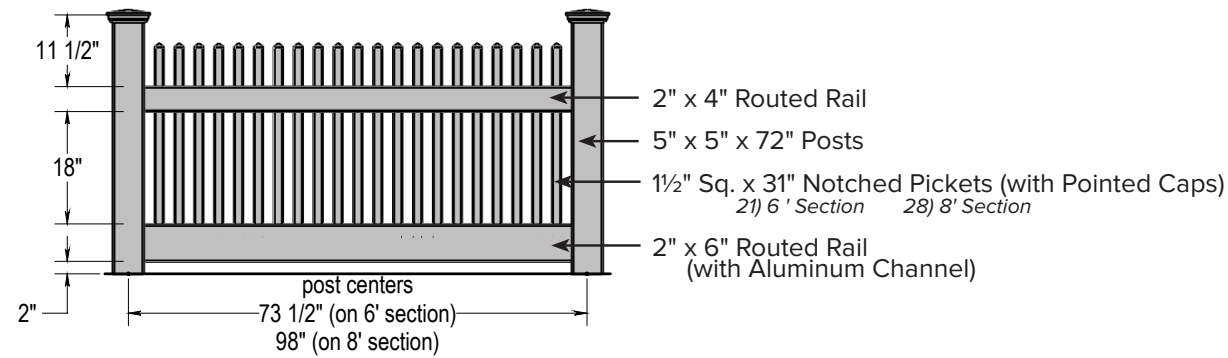
Part No.	3" x 57" Columbia Concave Fence	Qty.	White: 01	Almond: 03	Clay: 04	Black: 07
314340570-**-	Special Length Section (Pool Code)		\$37.92ft.	\$41.71ft.	\$49.29ft.	n/a
314340576-**-	6' Section (Pool Code)	24	\$197.78ea.	\$217.56ea.	\$257.12ea.	n/a
314340578-**-	8' Section (Pool Code)	24	\$263.72ea.	\$290.09ea.	\$342.83ea.	n/a

Part No.	Posts & Caps	Qty.	White: 01	Almond: 03	Clay: 04	Black: 07
313045570-**-	Line Post (Pool Code)	48	\$42.78ea.	\$47.05ea.	\$55.61ea.	\$62.03ea.
313046570-**-	End Post (Pool Code)	48	\$42.78ea.	\$47.05ea.	\$55.61ea.	\$62.03ea.
313047570-**-	Corner Post (Pool Code)	48	\$42.78ea.	\$47.05ea.	\$55.61ea.	\$62.03ea.
313049570-**-	3-Way Post (Pool Code)	48	\$41.22ea.	\$45.34ea.	\$53.59ea.	\$59.77ea.
313048570-**-	Blank Post (Pool Code)	48	\$42.78ea.	\$47.05ea.	\$55.61ea.	\$62.03ea.
910021400-**-	4" Spade Cap	45	\$14.71ea.	\$16.18ea.	\$19.12ea.	\$21.33ea.

Part No.	Gates (Hardware not included)	Qty.	White: 01	Almond: 03	Clay: 04	Black: 07
314343570-**-	36" Wide Gate (Pool Code - Unassembled)		\$341.62ea.	\$375.78ea.	\$444.11ea.	n/a
314343570-**-	48" Wide Gate (Pool Code - Unassembled)		\$375.78ea.	\$413.35ea.	\$488.51ea.	n/a

Part No.	Gate Hardware	Qty.	White: 01	Black: 07
933000000-**-	Residential Hinge	12	n/a	\$100.54set
933010000-**-	Residential Latch	24	n/a	\$47.66ea.
933010200-**-	Residential 2-Way Latch	24	n/a	\$43.87ea.
933130000-**-	Commercial Spring	10	n/a	\$91.20ea.
930302120-**-	Regular Multi-Adjust Hinge (TCAMA2)	20	\$148.11set	\$148.11set
930343220-**-	20" Top Pull MagnaLatch (ML3TPKA)	10	n/a	\$199.10ea.
930351183-**-	18" Lockable Drop Pin (LB218BX-KSA)	10	n/a	\$201.19ea.
958040720-**-	4" x 72" Aluminum Post Insert	20	\$107.95ea.	

36" NEW ENGLAND STRAIGHT



Maximum picket spacing: 1³/₄"

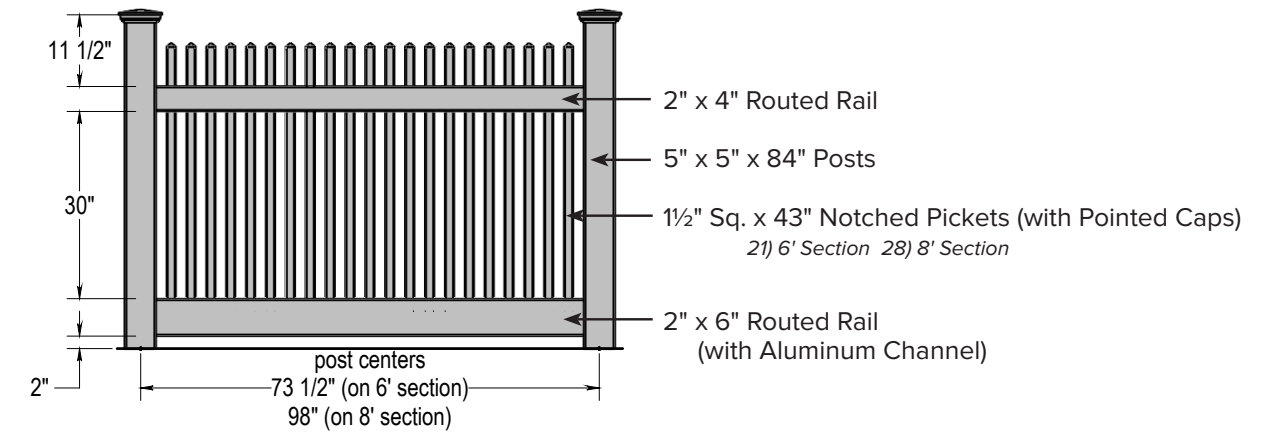
Part No.	36" New England Straight Fence	Qty.	White: 01	Almond: 03	Clay: 04	Black: 07
315110360-**	Special Length Section		\$34.25ft.	\$37.68ft.	\$44.53ft.	n/a
315110366-**	6' Section	24	\$178.66ea.	\$196.52ea.	\$232.26ea.	n/a
315110368-**	8' Section	24	\$238.20ea.	\$262.02ea.	\$309.66ea.	n/a

Part No.	Posts & Caps	Qty.	White: 01	Almond: 03	Clay: 04	Black: 07
315015360-**	Line Post	48	\$46.20ea.	\$50.82ea.	\$60.06ea.	n/a
315016360-**	End Post	48	\$46.20ea.	\$50.82ea.	\$60.06ea.	n/a
315017360-**	Corner Post	48	\$46.20ea.	\$50.82ea.	\$60.06ea.	n/a
315019360-**	3-Way Post	48	\$44.52ea.	\$48.98ea.	\$57.88ea.	n/a
315018360-**	Blank Post	48	\$46.20ea.	\$50.82ea.	\$60.06ea.	n/a
910012500-**	5" New England Cap	60	\$16.33ea.	\$17.96ea.	\$21.23ea.	n/a
910010500-**	5" Flat Cap	160	\$4.86ea.	\$5.35ea.	\$6.32ea.	\$7.05ea.

Part No.	Gates (Hardware not included)	Qty.	White: 01	Almond: 03	Clay: 04	Black: 07
315113360-**	36" Wide Gate (Unassembled)		\$275.23ea.	\$302.75ea.	\$357.80ea.	n/a
315113360-**	48" Wide Gate (Unassembled)		\$302.76ea.	\$333.04ea.	\$393.59ea.	n/a
315113360-**	60" Wide Gate (Unassembled)		\$333.03ea.	\$366.33ea.	\$432.94ea.	n/a
315113360-**	72" Wide Gate (Unassembled)		\$366.34ea.	\$402.97ea.	\$476.24ea.	n/a

Part No.	Gate Hardware	Qty.	White: 01	Black: 07
933000000-**	Residential Hinge	12	n/a	\$100.54set
933010000-**	Residential Latch	24	n/a	\$47.66ea.
933020000-**	Residential Drop Pin Kit	10	n/a	\$91.00ea.
930302220-**	Heavy Duty Multi-Adjust Hinge (TCHDMA1)	10	\$199.73ea.	\$199.73ea.
930312010-**	Lockable Latch S2 (LLAA)	20	\$74.23set	\$74.23set
930343120-**	10" Vertical Pull MagnaLatch (ML3VPKA)	10	n/a	\$188.54ea.
930351183-**	18" Lockable Drop Pin (LB218BX-KSA)	10	n/a	\$201.19ea.
958050780-**	5" x 78" Aluminum Post Insert	16	\$146.39ea.	

48" NEW ENGLAND STRAIGHT



Maximum picket spacing: 1³/₄"

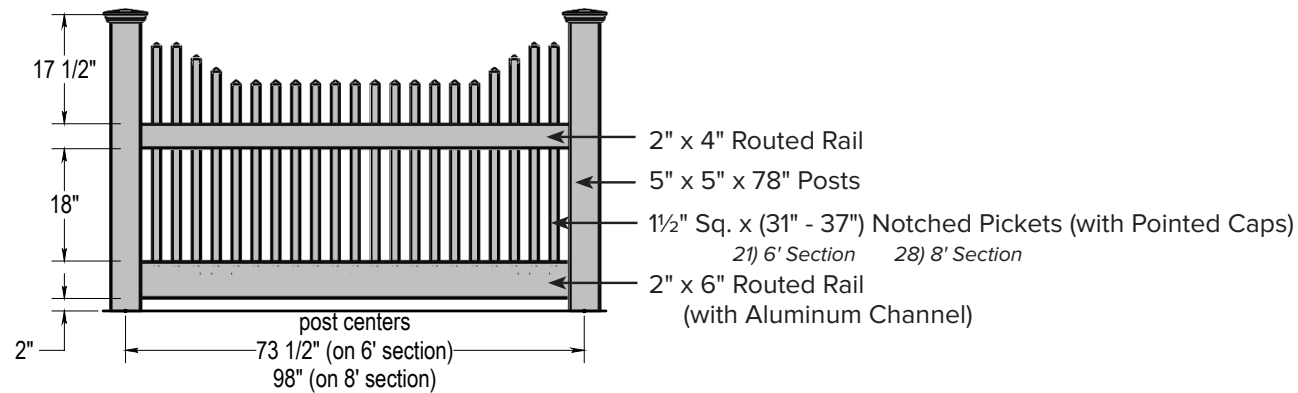
Part No.	48" New England Straight Fence	Qty.	White: 01	Almond: 03	Clay: 04	Black: 07
315110480-**	Special Length Section		\$40.28ft.	\$44.31ft.	\$52.37ft.	n/a
315110486-**	6' Section	24	\$210.18ea.	\$231.19ea.	\$273.23ea.	n/a
315110488-**	8' Section	24	\$280.23ea.	\$308.26ea.	\$364.30ea.	n/a

Part No.	Posts & Caps	Qty.	White: 01	Almond: 03	Clay: 04	Black: 07
315015480-**	Line Post	48	\$53.85ea.	\$59.23ea.	\$70.00ea.	n/a
315016480-**	End Post	48	\$53.85ea.	\$59.23ea.	\$70.00ea.	n/a
315017480-**	Corner Post	48	\$53.85ea.	\$59.23ea.	\$70.00ea.	n/a
315019480-**	3-Way Post	48	\$51.89ea.	\$57.08ea.	\$67.46ea.	n/a
315018480-**	Blank Post	48	\$53.85ea.	\$59.23ea.	\$70.00ea.	n/a
910012500-**	5" New England Cap	60	\$16.33ea.	\$17.96ea.	\$21.23ea.	n/a
910010500-**	5" Flat Cap	160	\$4.86ea.	\$5.35ea.	\$6.32ea.	\$7.05ea.

Part No.	Gates (Hardware not included)	Qty.	White: 01	Almond: 03	Clay: 04	Black: 07
315113480-**	36" Wide Gate (Unassembled)		\$305.80ea.	\$336.38ea.	\$397.54ea.	n/a
315113480-**	48" Wide Gate (Unassembled)		\$336.40ea.	\$370.04ea.	\$437.32ea.	n/a
315113480-**	60" Wide Gate (Unassembled)		\$370.04ea.	\$407.05ea.	\$481.06ea.	n/a
315113480-**	72" Wide Gate (Unassembled)		\$407.06ea.	\$447.77ea.	\$529.18ea.	n/a

Part No.	Gate Hardware	Qty.	White: 01	Black: 07
933000000-**	Residential Hinge	12	n/a	\$100.54set
933010000-**	Residential Latch	24	n/a	\$47.66ea.
933010200-**	Residential 2-Way Latch	24	n/a	\$43.87ea.
930302220-**	Heavy Duty Multi-Adjust Hinge (TCHDMA1)	10	\$199.73ea.	\$199.73ea.
930312010-**	Lockable Latch S2 (LLAA)	20	\$74.23set	\$74.23set
930343120-**	10" Vertical Pull MagnaLatch (ML3VPKA)	10	n/a	\$188.54ea.
930351183-**	18" Lockable Drop Pin (LB218BX-KSA)	10	n/a	\$201.19ea.
958050780-**	5" x 78" Aluminum Post Insert	16	\$146.39ea.	

36" NEW ENGLAND CONCAVE



Maximum picket spacing: 1³/₄"
Height measurements taken at low point.

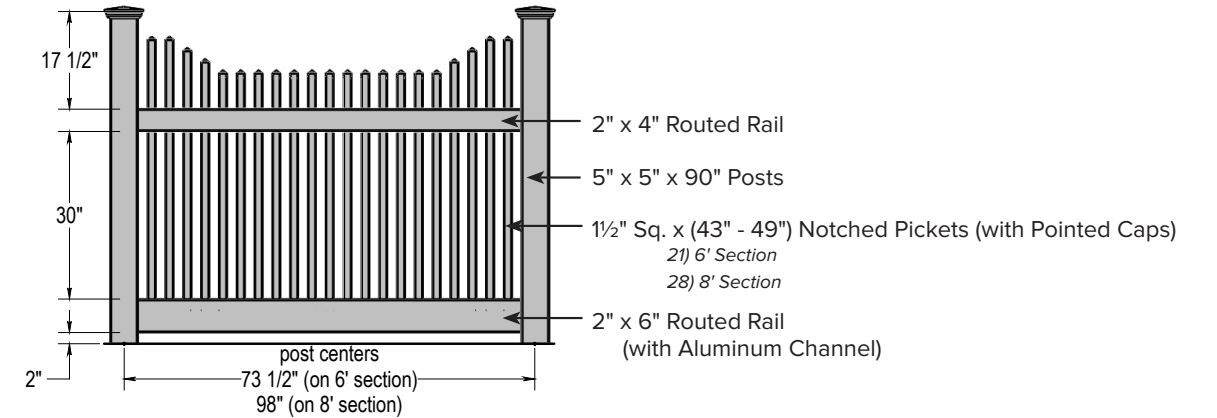
Part No.	36" New England Concave Fence	Qty.	White: 01	Almond: 03	Clay: 04	Black: 07
315120360-**-	Special Length Section		\$37.68ft.	\$41.45ft.	\$48.99ft.	n/a
315120366-**-	6' Section	24	\$196.52ea.	\$216.17ea.	\$255.47ea.	n/a
315120368-**-	8' Section	24	\$262.03ea.	\$288.23ea.	\$340.63ea.	n/a

Part No.	Posts & Caps	Qty.	White: 01	Almond: 03	Clay: 04	Black: 07
315025360-**-	Line Post	48	\$50.01ea.	\$55.01ea.	\$65.02ea.	n/a
315026360-**-	End Post	48	\$50.01ea.	\$55.01ea.	\$65.02ea.	n/a
315027360-**-	Corner Post	48	\$50.01ea.	\$55.01ea.	\$65.02ea.	n/a
315029360-**-	3-Way Post	48	\$48.20ea.	\$53.01ea.	\$62.65ea.	n/a
315028360-**-	Blank Post	48	\$50.01ea.	\$55.01ea.	\$65.02ea.	n/a
910012500-**-	5" New England Cap	60	\$16.33ea.	\$17.96ea.	\$21.23ea.	n/a
910010500-**-	5" Flat Cap	160	\$4.86ea.	\$5.35ea.	\$6.32ea.	\$7.05ea.

Part No.	Gates (Hardware not included)	Qty.	White: 01	Almond: 03	Clay: 04	Black: 07
315123360-**-	36" Wide Gate (Unassembled)		\$275.23ea.	\$302.75ea.	\$357.80ea.	n/a
315123360-**-	48" Wide Gate (Unassembled)		\$302.76ea.	\$333.04ea.	\$393.59ea.	n/a
315123360-**-	60" Wide Gate (Unassembled)		\$333.03ea.	\$366.33ea.	\$432.94ea.	n/a
315123360-**-	72" Wide Gate (Unassembled)		\$366.34ea.	\$402.97ea.	\$476.24ea.	n/a

Part No.	Gate Hardware	Qty.	White: 01	Black: 07
933000000-**-	Residential Hinge	12	n/a	\$100.54set
933010000-**-	Residential Latch	24	n/a	\$47.66ea.
933020000-**-	Residential Drop Pin Kit	10	n/a	\$91.00ea.
930302220-**-	Heavy Duty Multi-Adjust Hinge (TCHDMA1)	10	\$199.73ea.	\$199.73ea.
930312010-**-	Lockable Latch S2 (LLAA)	20	\$74.23set	\$74.23set
930343120-**-	10" Vertical Pull MagnaLatch (ML3VPKA)	10	n/a	\$188.54ea.
930351183-**-	18" Lockable Drop Pin (LB218BX-KSA)	10	n/a	\$201.19ea.
958050780-**-	5" x 78" Aluminum Post Insert	16	\$146.39ea.	

48" NEW ENGLAND CONCAVE



Maximum picket spacing: 1³/₄"
Height measurements taken at low point.

Part No.	48" New England Concave Fence	Qty.	White: 01	Almond: 03	Clay: 04	Black: 07
315120480-**-	Special Length Section		\$44.32ft.	\$48.75ft.	\$57.61ft.	n/a
315120486-**-	6' Section	24	\$231.20ea.	\$254.32ea.	\$300.56ea.	n/a
315120488-**-	8' Section	24	\$308.26ea.	\$339.08ea.	\$400.74ea.	n/a

Part No.	Posts & Caps	Qty.	White: 01	Almond: 03	Clay: 04	Black: 07
315025480-**-	Line Post	48	\$57.74ea.	\$63.52ea.	\$75.07ea.	n/a
315026480-**-	End Post	48	\$57.74ea.	\$63.52ea.	\$75.07ea.	n/a
315027480-**-	Corner Post	48	\$57.74ea.	\$63.52ea.	\$75.07ea.	n/a
315029480-**-	3-Way Post	48	\$55.65ea.	\$61.21ea.	\$72.34ea.	n/a
315028480-**-	Blank Post	48	\$57.74ea.	\$63.52ea.	\$75.07ea.	n/a
910012500-**-	5" New England Cap	60	\$16.33ea.	\$17.96ea.	\$21.23ea.	n/a
910010500-**-	5" Flat Cap	160	\$4.86ea.	\$5.35ea.	\$6.32ea.	\$7.05ea.

Part No.	Gates (Hardware not included)	Qty.	White: 01	Almond: 03	Clay: 04	Black: 07
315123480-**-	36" Wide Gate (Unassembled)		\$305.80ea.	\$336.38ea.	\$397.54ea.	n/a
315123480-**-	48" Wide Gate (Unassembled)		\$336.40ea.	\$370.04ea.	\$437.32ea.	n/a
315123480-**-	60" Wide Gate (Unassembled)		\$370.04ea.	\$407.05ea.	\$481.06ea.	n/a
315123480-**-	72" Wide Gate (Unassembled)		\$407.06ea.	\$447.77ea.	\$529.18ea.	n/a

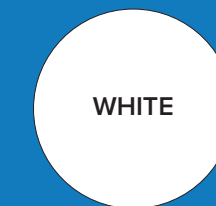
Part No.	Gate Hardware	Qty.	White: 01	Black: 07
933000000-**-	Residential Hinge	12	n/a	\$100.54set
933010000-**-	Residential Latch	24	n/a	\$47.66ea.
933010200-**-	Residential 2-Way Latch	24	n/a	\$43.87ea.
930302220-**-	Heavy Duty Multi-Adjust Hinge (TCHDMA1)	10	\$199.73ea.	\$199.73ea.
930312010-**-	Lockable Latch S2 (LLAA)	20	\$74.23set	\$74.23set
930343120-**-	10" Vertical Pull MagnaLatch (ML3VPKA)	10	n/a	\$188.54ea.
930351183-**-	18" Lockable Drop Pin (LB218BX-KSA)	10	n/a	\$201.19ea.
958050780-**-	5" x 78" Aluminum Post Insert	16	\$146.39ea.	



YARD FENCE

A yard fence marks your property line and keeps children and pets safely contained. Choose from a variety of options, from open pickets to almost closed, to create the ideal space for your family.

COLORS



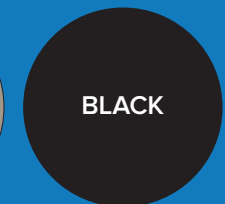
WHITE



ALMOND



CLAY

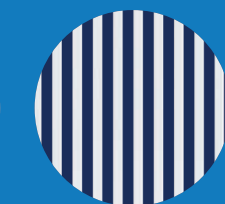


BLACK

YARD FENCE STYLES



VICTORIAN



RAMADA



BARON

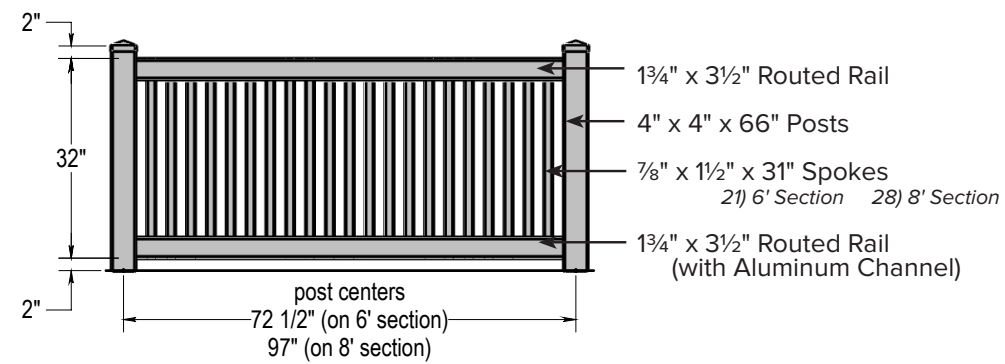


MODEL

Important Notifications:
Qty. indicates Box or Skid quantities. The ** in Part Number represents the color codes. Fencing sections do not include posts or caps.

Terms: Net 30 days to approved accounts. Otherwise: Cash, check or money order. Prices F.O.B. New Holland, PA / Prices subject to change without notice.

36" RAMADA



Maximum spoke spacing: 1 3/4"

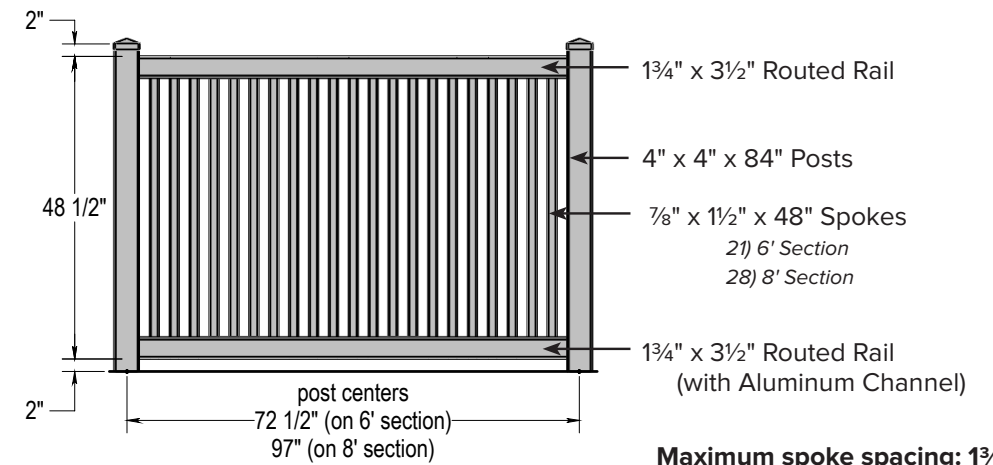
Part No.	36" Ramada Yard Fence	Qty.	White: 01	Almond: 03	Clay: 04	Black: 07
323000360-**-	Special Length Section		\$26.92ft.	\$29.61ft.	\$34.99ft.	n/a
323000366-**-	6' Section	24	\$140.36ea.	\$154.40ea.	\$182.47ea.	n/a
323000368-**-	8' Section	24	\$187.14ea.	\$205.85ea.	\$243.28ea.	n/a

Part No.	Posts & Caps	Qty.	White: 01	Almond: 03	Clay: 04	Black: 07
320005360-**-	Line Post	48	\$31.36ea.	\$34.49ea.	\$40.76ea.	n/a
320006360-**-	End Post	48	\$31.36ea.	\$34.49ea.	\$40.76ea.	n/a
320007360-**-	Corner Post	48	\$31.36ea.	\$34.49ea.	\$40.76ea.	n/a
320009360-**-	3-Way Post	48	\$30.21ea.	\$33.23ea.	\$39.28ea.	n/a
320008360-**-	Blank Post	48	\$31.36ea.	\$34.49ea.	\$40.76ea.	n/a
910010400-**-	4" Flat Cap	210	\$4.59ea.	\$5.05ea.	\$5.97ea.	\$6.66ea.
910012400-**-	4" New England Cap	32	\$14.71ea.	\$16.18ea.	\$19.12ea.	\$21.33ea.

Part No.	Gates (Hardware not included)	Qty.	White: 01	Almond: 03	Clay: 04	Black: 07
323003360-**-	36" Wide Gate (Unassembled)		\$291.88ea.	\$321.07ea.	\$379.44ea.	n/a
323003360-**-	48" Wide Gate (Unassembled)		\$321.08ea.	\$353.19ea.	\$417.41ea.	n/a
323003360-**-	60" Wide Gate (Unassembled)		\$353.18ea.	\$388.50ea.	\$459.13ea.	n/a
323003360-**-	72" Wide Gate (Unassembled)		\$388.50ea.	\$427.35ea.	\$505.05ea.	n/a

Part No.	Gate Hardware	Qty.	White: 01	Black: 07
933000000-**-	Residential Hinge	12	n/a	\$100.54set
933010000-**-	Residential Latch	24	n/a	\$47.66ea.
933020000-**-	Residential Drop Pin Kit	10	n/a	\$91.00ea.
930302120-**-	Regular Multi-Adjust Hinge (TCAMA2)	20	\$148.11ea.	\$148.11ea.
930312010-**-	Lockable Latch S2 (LLAA)	20	\$74.23set	\$74.23set
930343120-**-	10" Vertical Pull MagnaLatch (ML3VPKA)	10	n/a	\$188.54ea.
930351183-**-	18" Lockable Drop Pin (LB218BX-KSA)	10	n/a	\$201.19ea.
958040600	4" x 60" Aluminum Post Insert	20	\$89.96ea.	

48" RAMADA



Maximum spoke spacing: 1 3/4"

Part No.	48" Ramada Yard Fence	Qty.	White: 01	Almond: 03	Clay: 04	Black: 07
323000480-**-	Special Length Section		\$33.62ft.	\$36.99ft.	\$43.71ft.	n/a
323000486-**-	6' Section	24	\$175.45ea.	\$192.99ea.	\$228.08ea.	n/a
323000488-**-	8' Section	24	\$233.93ea.	\$257.32ea.	\$304.11ea.	n/a

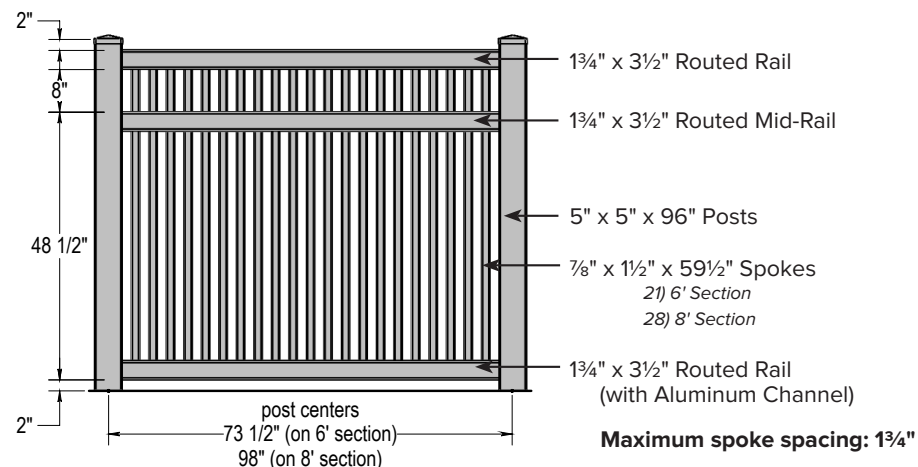
Part No.	Posts & Caps	Qty.	White: 01	Almond: 03	Clay: 04	Black: 07
320005480-**-	Line Post	48	\$39.95ea.	\$43.95ea.	\$51.94ea.	\$57.93ea.
320006480-**-	End Post	48	\$39.95ea.	\$43.95ea.	\$51.94ea.	\$57.93ea.
320007480-**-	Corner Post	48	\$39.95ea.	\$43.95ea.	\$51.94ea.	\$57.93ea.
320009480-**-	3-Way Post	48	\$38.49ea.	\$42.34ea.	\$50.04ea.	\$55.81ea.
320008480-**-	Blank Post	48	\$39.95ea.	\$43.95ea.	\$51.94ea.	\$57.93ea.
910010400-**-	4" Flat Cap	210	\$4.59ea.	\$5.05ea.	\$5.97ea.	\$6.66ea.
910012400-**-	4" New England Cap	32	\$14.71ea.	\$16.18ea.	\$19.12ea.	\$21.33ea.

Part No.	Gates (Hardware not included)	Qty.	White: 01	Almond: 03	Clay: 04	Black: 07
323003480-**-	36" Wide Gate (Unassembled)		\$324.32ea.	\$356.75ea.	\$421.61ea.	n/a
323003480-**-	48" Wide Gate (Unassembled)		\$356.75ea.	\$392.43ea.	\$463.78ea.	n/a
323003480-**-	60" Wide Gate (Unassembled)		\$392.41ea.	\$431.65ea.	\$510.13ea.	n/a
323003480-**-	72" Wide Gate (Unassembled)		\$431.65ea.	\$474.81ea.	\$561.14ea.	n/a

Part No.	Gate Hardware	Qty.	White: 01	Black: 07
933000000-**-	Residential Hinge	12	n/a	\$100.54set
933010000-**-	Residential Latch	24	n/a	\$47.66ea.
933010200-**-	Residential 2-Way Latch	24	n/a	\$43.87ea.
933130000-**-	Commercial Spring	10	n/a	\$91.20ea.
930302120-**-	Regular Multi-Adjust Hinge (TCAMA2)	20	\$148.11set	\$148.11set
930343220-**-	20" Top Pull MagnaLatch (ML3TPKA)	10	n/a	\$199.10ea.
930351183-**-	18" Lockable Drop Pin (LB218BX-KSA)	10	n/a	\$201.19ea.
958040720	4" x 72" Aluminum Post Insert	20	\$107.95ea.	



60" RAMADA



Part No.	60" Ramada Yard Fence	Qty.	White: 01	Almond: 03	Clay: 04	Black: 07
323000600-**-	Special Length Section		\$42.03ft.	\$46.23ft.	\$54.64ft.	n/a
323000606-**-	6' Section	24	\$219.30ea.	\$241.23ea.	\$285.09ea.	n/a
323000608-**-	8' Section	24	\$292.39ea.	\$321.63ea.	\$380.11ea.	n/a

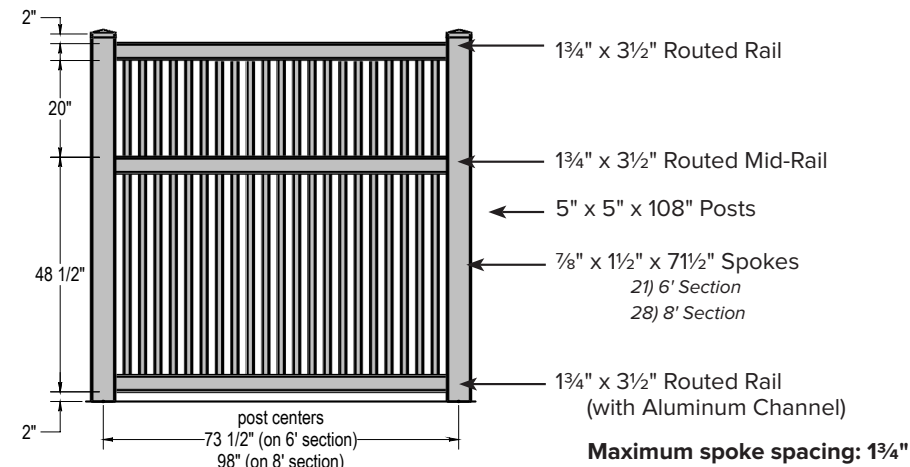
Part No.	Posts & Caps	Qty.	White: 01	Almond: 03	Clay: 04	Black: 07
320005600-**-	Line Post	48	\$61.56ea.	\$67.72ea.	\$80.03ea.	\$89.26ea.
320006600-**-	End Post	48	\$61.56ea.	\$67.72ea.	\$80.03ea.	\$89.26ea.
320007600-**-	Corner Post	48	\$61.56ea.	\$67.72ea.	\$80.03ea.	n/a
320009600-**-	3-Way Post	48	\$59.33ea.	\$65.26ea.	\$77.13ea.	n/a
320008600-**-	Blank Post	48	\$61.56ea.	\$67.72ea.	\$80.03ea.	n/a
910010500-**-	5" Flat Cap	160	\$4.86ea.	\$5.35ea.	\$6.32ea.	\$7.05ea.
910012500-**-	5" New England Cap	60	\$16.33ea.	\$17.96ea.	\$21.23ea.	n/a

Part No.	Gates (Hardware not included)	Qty.	White: 01	Almond: 03	Clay: 04	Black: 07
323003600-**-	36" Wide Gate (Unassembled)		\$389.18ea.	\$428.10ea.	\$505.93ea.	n/a
323003600-**-	48" Wide Gate (Unassembled)		\$428.09ea.	\$470.90ea.	\$556.52ea.	n/a
323003600-**-	60" Wide Gate (Unassembled)		\$470.91ea.	\$518.00ea.	\$612.18ea.	n/a
323003600-**-	72" Wide Gate (Unassembled)		\$518.00ea.	\$569.80ea.	\$673.41ea.	n/a

Part No.	Gate Hardware	Qty.	White: 01	Black: 07
933100000-**-	Commercial Hinge	10	n/a	\$119.82set
933110200-**-	Commercial 2-Way Latch	12	n/a	\$51.79ea.
933120000-**-	Commercial Drop Pin Kit	10	n/a	\$111.56ea.
933130000-**-	Commercial Spring	10	n/a	\$91.20ea.
930302220-**-	Heavy Duty Multi-Adjust Hinge (TCHDMA1)	10	\$199.73set	\$199.73set
930312210-**-	Lockable Latch w/Easy Access Kit (LLAAB)	20	n/a	\$122.78ea.
930351243-**-	24" Lockable Drop Pin (LB224BX-KSA)	10	n/a	\$223.30ea.
958050960	5" x 96" Aluminum Post Insert	16	\$180.20ea.	



72" RAMADA



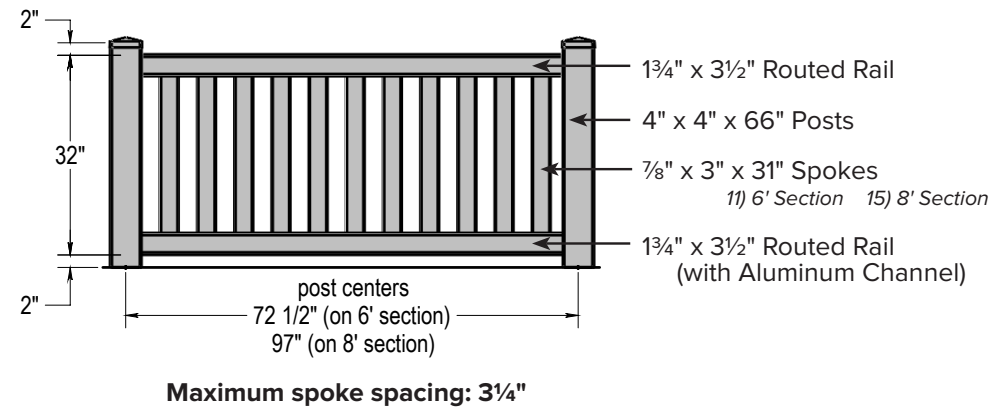
Part No.	72" Ramada Yard Fence	Qty.	White: 01	Almond: 03	Clay: 04	Black: 07
323000720-**-	Special Length Section		\$47.09ft.	\$51.80ft.	\$61.21ft.	n/a
323000726-**-	6' Section	24	\$245.60ea.	\$270.16ea.	\$319.28ea.	n/a
323000728-**-	8' Section	24	\$327.47ea.	\$360.22ea.	\$425.72ea.	n/a

Part No.	Posts & Caps	Qty.	White: 01	Almond: 03	Clay: 04	Black: 07
320005720-**-	Line Post	48	\$69.27ea.	\$76.20ea.	\$90.05ea.	\$100.45ea.
320006720-**-	End Post	48	\$69.27ea.	\$76.20ea.	\$90.05ea.	\$100.45ea.
320007720-**-	Corner Post	48	\$69.27ea.	\$76.20ea.	\$90.05ea.	\$100.45ea.
320009720-**-	3-Way Post	48	\$66.75ea.	\$73.43ea.	\$86.78ea.	n/a
320008720-**-	Blank Post	48	\$69.27ea.	\$76.20ea.	\$90.05ea.	n/a
910010500-**-	5" Flat Cap	160	\$4.86ea.	\$5.35ea.	\$6.32ea.	\$7.05ea.
910012500-**-	5" New England Cap	60	\$16.33ea.	\$17.96ea.	\$21.23ea.	n/a

Part No.	Gates (Hardware not included)	Qty.	White: 01	Almond: 03	Clay: 04	Black: 07
323003720-**-	36" Wide Gate (Unassembled)		\$421.61ea.	\$463.78ea.	\$548.10ea.	n/a
323003720-**-	48" Wide Gate (Unassembled)		\$463.78ea.	\$510.16ea.	\$602.91ea.	n/a
323003720-**-	60" Wide Gate (Unassembled)		\$510.15ea.	\$561.16ea.	\$663.19ea.	n/a
323003720-**-	72" Wide Gate (Unassembled)		\$561.16ea.	\$617.27ea.	\$729.51ea.	n/a

Part No.	Gate Hardware	Qty.	White: 01	Black: 07
933100000-**-	Commercial Hinge	10	n/a	\$119.82set
933110200-**-	Commercial 2-Way Latch	12	n/a	\$51.79ea.
933120000-**-	Commercial Drop Pin Kit	10	n/a	\$111.56ea.
933130000-**-	Commercial Spring	10	n/a	\$91.20ea.
930302220-**-	Heavy Duty Multi-Adjust Hinge (TCHDMA1)	10	\$199.73set	\$199.73set
930312210-**-	Lockable Latch w/Easy Access Kit (LLAAB)	20	n/a	\$122.78ea.
930351243-**-	24" Lockable Drop Pin (LB224BX-KSA)	10	n/a	\$223.30ea.
958050960	5" x 96" Aluminum Post Insert	16	\$180.20ea.	

36" BARON



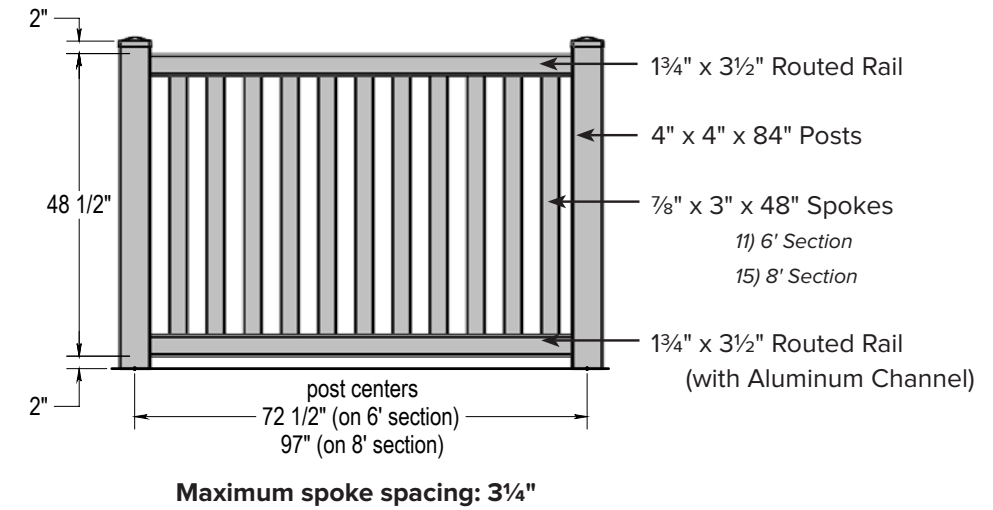
Part No.	36" Baron Yard Fence	Qty.	White: 01	Almond: 03	Clay: 04	Black: 07
322000360-**	Special Length Section		\$22.43ft.	\$24.67ft.	\$29.16ft.	n/a
322000366-**	6' Section	24	\$116.97ea.	\$128.67ea.	\$152.06ea.	n/a
322000368-**	8' Section	24	\$155.95ea.	\$171.55ea.	\$202.74ea.	n/a

Part No.	Posts & Caps	Qty.	White: 01	Almond: 03	Clay: 04	Black: 07
320005360-**	Line Post	48	\$31.36ea.	\$34.49ea.	\$40.76ea.	n/a
320006360-**	End Post	48	\$31.36ea.	\$34.49ea.	\$40.76ea.	n/a
320007360-**	Corner Post	48	\$31.36ea.	\$34.49ea.	\$40.76ea.	n/a
320009360-**	3-Way Post	48	\$30.21ea.	\$33.23ea.	\$39.28ea.	n/a
320008360-**	Blank Post	48	\$31.36ea.	\$34.49ea.	\$40.76ea.	n/a
910010400-**	4" Flat Cap	210	\$4.59ea.	\$5.05ea.	\$5.97ea.	\$6.66ea.
910012400-**	4" New England Cap	32	\$14.71ea.	\$16.18ea.	\$19.12ea.	\$21.33ea.

Part No.	Gates (Hardware not included)	Qty.	White: 01	Almond: 03	Clay: 04	Black: 07
322003360-**	36" Wide Gate (Unassembled)		\$254.07ea.	\$279.48ea.	\$330.29ea.	n/a
322003360-**	48" Wide Gate (Unassembled)		\$279.46ea.	\$307.40ea.	\$363.30ea.	n/a
322003360-**	60" Wide Gate (Unassembled)		\$307.41ea.	\$338.15ea.	\$399.64ea.	n/a
322003360-**	72" Wide Gate (Unassembled)		\$338.16ea.	\$371.97ea.	\$439.60ea.	n/a

Part No.	Gate Hardware	Qty.	White: 01	Black: 07
933000000-**	Residential Hinge	12	n/a	\$100.54set
933010000-**	Residential Latch	24	n/a	\$47.66ea.
933020000-**	Residential Drop Pin Kit	10	n/a	\$91.00ea.
930302120-**	Regular Multi-Adjust Hinge (TCAMA2)	20	\$148.11ea.	\$148.11ea.
930312010-**	Lockable Latch S2 (LLAA)	20	\$74.23set	\$74.23set
930343120-**	10" Vertical Pull MagnaLatch (ML3VPKA)	10	n/a	\$188.54ea.
930351183-**	18" Lockable Drop Pin (LB218BX-KSA)	10	n/a	\$201.19ea.
958040600-**	4" x 60" Aluminum Post Insert	20	\$89.96ea.	

48" BARON



Part No.	48" Baron Yard Fence	Qty.	White: 01	Almond: 03	Clay: 04	Black: 07
322000480-**	Special Length Section		\$28.03ft.	\$30.83ft.	\$36.43ft.	n/a
322000486-**	6' Section	24	\$146.20ea.	\$160.82ea.	\$190.05ea.	n/a
322000488-**	8' Section	24	\$194.95ea.	\$214.44ea.	\$253.43ea.	n/a

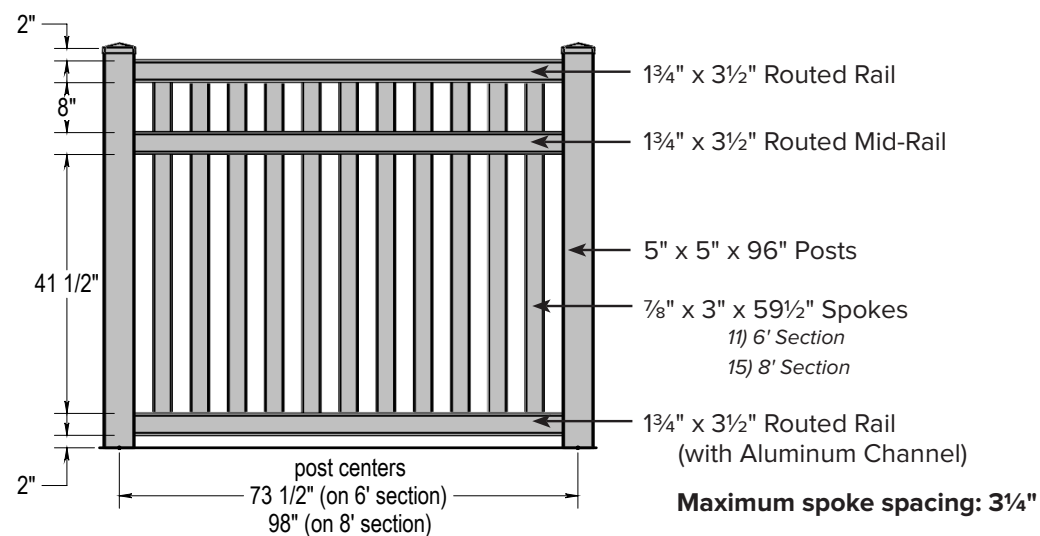
Part No.	Posts & Caps	Qty.	White: 01	Almond: 03	Clay: 04	Black: 07
320005480-**	Line Post	48	\$39.95ea.	\$43.95ea.	\$51.94ea.	\$57.93ea.
320006480-**	End Post	48	\$39.95ea.	\$43.95ea.	\$51.94ea.	\$57.93ea.
320007480-**	Corner Post	48	\$39.95ea.	\$43.95ea.	\$51.94ea.	\$57.93ea.
320009480-**	3-Way Post	48	\$38.49ea.	\$42.34ea.	\$50.04ea.	\$55.81ea.
320008480-**	Blank Post	48	\$39.95ea.	\$43.95ea.	\$51.94ea.	\$57.93ea.
910010400-**	4" Flat Cap	210	\$4.59ea.	\$5.05ea.	\$5.97ea.	\$6.66ea.
910012400-**	4" New England Cap	32	\$14.71ea.	\$16.18ea.	\$19.12ea.	\$21.33ea.

Part No.	Gates (Hardware not included)	Qty.	White: 01	Almond: 03	Clay: 04	Black: 07
322003480-**	36" Wide Gate (Unassembled)		\$282.29ea.	\$310.52ea.	\$366.98ea.	n/a
322003480-**	48" Wide Gate (Unassembled)		\$310.52ea.	\$341.57ea.	\$403.67ea.	n/a
322003480-**	60" Wide Gate (Unassembled)		\$341.56ea.	\$375.71ea.	\$444.03ea.	n/a
322003480-**	72" Wide Gate (Unassembled)		\$375.74ea.	\$413.32ea.	\$488.46ea.	n/a

Part No.	Gate Hardware	Qty.	White: 01	Black: 07
933000000-**	Residential Hinge	12	n/a	\$100.54set
933010000-**	Residential Latch	24	n/a	\$47.66ea.
933010200-**	Residential 2-Way Latch	24	n/a	\$43.87ea.
933130000-**	Commercial Spring	10	n/a	\$91.20ea.
930302120-**	Regular Multi-Adjust Hinge (TCAMA2)	20	\$148.11set	\$148.11set
930343220-**	20" Top Pull MagnaLatch (ML3TPKA)	10	n/a	\$199.10ea.
930351183-**	18" Lockable Drop Pin (LB218BX-KSA)	10	n/a	\$201.19ea.
958040720-**	4" x 72" Aluminum Post Insert	20	\$107.95ea.	



60" BARON



Part No.	60" Baron Yard Fence	Qty.	White: 01	Almond: 03	Clay: 04	Black: 07
322000600-**	Special Length Section		\$35.03ft.	\$38.53ft.	\$45.54ft.	n/a
322000606-**	6' Section	24	\$182.75ea.	\$201.03ea.	\$237.58ea.	n/a
322000608-**	8' Section	24	\$243.68ea.	\$268.04ea.	\$316.78ea.	n/a

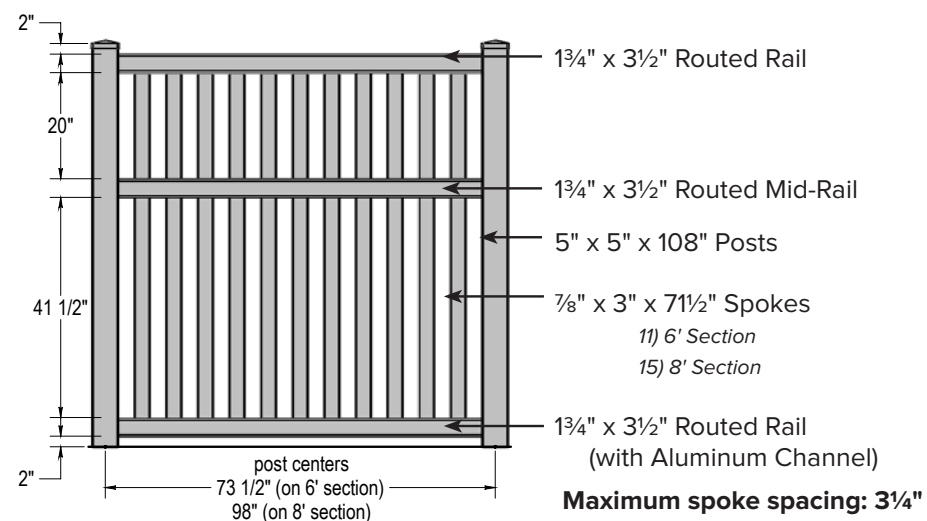
Part No.	Posts & Caps	Qty.	White: 01	Almond: 03	Clay: 04	Black: 07
320005600-**	Line Post	48	\$61.56ea.	\$67.72ea.	\$80.03ea.	\$89.26ea.
320006600-**	End Post	48	\$61.56ea.	\$67.72ea.	\$80.03ea.	\$89.26ea.
320007600-**	Corner Post	48	\$61.56ea.	\$67.72ea.	\$80.03ea.	n/a
320009600-**	3-Way Post	48	\$59.33ea.	\$65.26ea.	\$77.13ea.	n/a
320008600-**	Blank Post	48	\$61.56ea.	\$67.72ea.	\$80.03ea.	n/a
910010500-**	5" Flat Cap	160	\$4.86ea.	\$5.35ea.	\$6.32ea.	\$7.05ea.
910012500-**	5" New England Cap	60	\$16.33ea.	\$17.96ea.	\$21.23ea.	n/a

Part No.	Gates (Hardware not included)	Qty.	White: 01	Almond: 03	Clay: 04	Black: 07
322003600-**	36" Wide Gate (Unassembled)		\$338.75ea.	\$372.63ea.	\$440.38ea.	n/a
322003600-**	48" Wide Gate (Unassembled)		\$372.62ea.	\$409.88ea.	\$484.40ea.	n/a
322003600-**	60" Wide Gate (Unassembled)		\$409.90ea.	\$450.89ea.	\$532.86ea.	n/a
322003600-**	72" Wide Gate (Unassembled)		\$450.86ea.	\$495.95ea.	\$586.12ea.	n/a

Part No.	Gate Hardware	Qty.	White: 01	Black: 07
933100000-**	Commercial Hinge	10	n/a	\$119.82set
933110200-**	Commercial 2-Way Latch	12	n/a	\$51.79ea.
933120000-**	Commercial Drop Pin Kit	10	n/a	\$111.56ea.
933130000-**	Commercial Spring	10	n/a	\$91.20ea.
930302220-**	Heavy Duty Multi-Adjust Hinge (TCHDMA1)	10	\$199.73set	\$199.73set
930312210-**	Lockable Latch w/Easy Access Kit (LLAAB)	20	n/a	\$122.78ea.
930351243-**	24" Lockable Drop Pin (LB224BX-KSA)	10	n/a	\$223.30ea.
958050960	5" x 96" Aluminum Post Insert	16	\$180.20ea.	



72" BARON



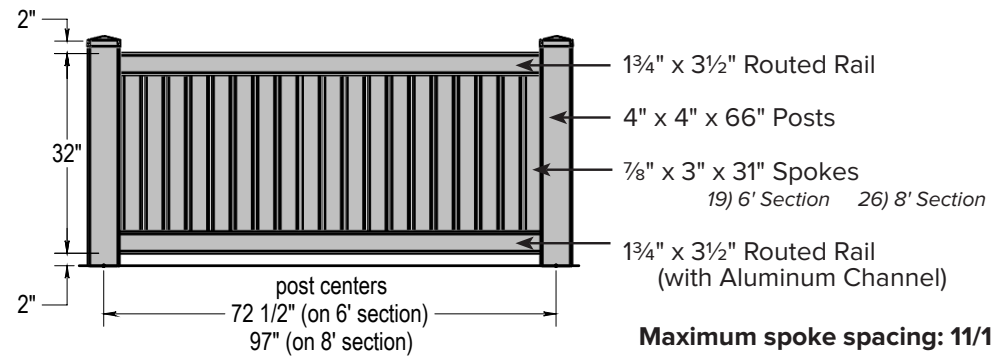
Part No.	72" Baron Yard Fence	Qty.	White: 01	Almond: 03	Clay: 04	Black: 07
322000720-**	Special Length Section		\$39.23ft.	\$43.15ft.	\$51.00ft.	n/a
322000726-**	6' Section	24	\$204.69ea.	\$225.16ea.	\$266.09ea.	n/a
322000728-**	8' Section	24	\$272.93ea.	\$300.23ea.	\$354.81ea.	n/a

Part No.	Posts & Caps	Qty.	White: 01	Almond: 03	Clay: 04	Black: 07
320005720-**	Line Post	48	\$69.27ea.	\$76.20ea.	\$90.05ea.	\$100.45ea.
320006720-**	End Post	48	\$69.27ea.	\$76.20ea.	\$90.05ea.	\$100.45ea.
320007720-**	Corner Post	48	\$69.27ea.	\$76.20ea.	\$90.05ea.	\$100.45ea.
320009720-**	3-Way Post	48	\$66.75ea.	\$73.43ea.	\$86.78ea.	n/a
320008720-**	Blank Post	48	\$69.27ea.	\$76.20ea.	\$90.05ea.	n/a
910010500-**	5" Flat Cap	160	\$4.86ea.	\$5.35ea.	\$6.32ea.	\$7.05ea.
910012500-**	5" New England Cap	60	\$16.33ea.	\$17.96ea.	\$21.23ea.	n/a

Part No.	Gates (Hardware not included)	Qty.	White: 01	Almond: 03	Clay: 04	Black: 07
322003720-**	36" Wide Gate (Unassembled)		\$366.96ea.	\$403.65ea.	\$477.04ea.	n/a
322003720-**	48" Wide Gate (Unassembled)		\$403.68ea.	\$444.04ea.	\$524.78ea.	n/a
322003720-**	60" Wide Gate (Unassembled)		\$444.02ea.	\$488.43ea.	\$577.23ea.	n/a
322003720-**	72" Wide Gate (Unassembled)		\$488.45ea.	\$537.29ea.	\$634.98ea.	n/a

Part No.	Gate Hardware	Qty.	White: 01	Black: 07
933100000-**	Commercial Hinge	10	n/a	\$119.82set
933110200-**	Commercial 2-Way Latch	12	n/a	\$51.79ea.
933120000-**	Commercial Drop Pin Kit	10	n/a	\$111.56ea.
933130000-**	Commercial Spring	10	n/a	\$91.20ea.
930302220-**	Heavy Duty Multi-Adjust Hinge (TCHDMA1)	10	\$199.73set	\$199.73set
930312210-**	Lockable Latch w/Easy Access Kit (LLAAB)	20	n/a	\$122.78ea.
930351243-**	24" Lockable Drop Pin (LB224BX-KSA)	10	n/a	\$223.30ea.
958050960	5" x 96" Aluminum Post Insert	16	\$180.20ea.	

36" IMPERIAL



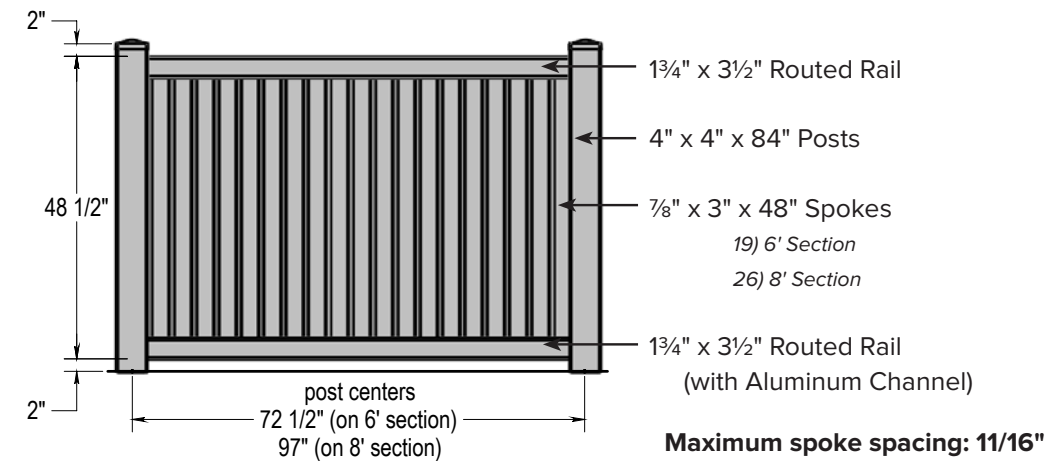
Part No.	36" Imperial Yard Fence	Qty.	White: 01	Almond: 03	Clay: 04	Black: 07
324000360-**-	Special Length Section		\$30.27ft.	\$33.29ft.	\$39.35ft.	n/a
324000366-**-	6' Section	24	\$157.91ea.	\$173.71ea.	\$205.29ea.	n/a
324000368-**-	8' Section	24	\$210.55ea.	\$231.60ea.	\$273.71ea.	n/a

Part No.	Posts & Caps	Qty.	White: 01	Almond: 03	Clay: 04	Black: 07
320005360-**-	Line Post	48	\$31.36ea.	\$34.49ea.	\$40.76ea.	n/a
320006360-**-	End Post	48	\$31.36ea.	\$34.49ea.	\$40.76ea.	n/a
320007360-**-	Corner Post	48	\$31.36ea.	\$34.49ea.	\$40.76ea.	n/a
320009360-**-	3-Way Post	48	\$30.21ea.	\$33.23ea.	\$39.28ea.	n/a
320008360-**-	Blank Post	48	\$31.36ea.	\$34.49ea.	\$40.76ea.	n/a
910010400-**-	4" Flat Cap	210	\$4.59ea.	\$5.05ea.	\$5.97ea.	\$6.66ea.
910012400-**-	4" New England Cap	32	\$14.71ea.	\$16.18ea.	\$19.12ea.	\$21.33ea.

Part No.	Gates (Hardware not included)	Qty.	White: 01	Almond: 03	Clay: 04	Black: 07
324003360-**-	36" Wide Gate (Unassembled)		\$296.78ea.	\$326.45ea.	\$385.81ea.	n/a
324003360-**-	48" Wide Gate (Unassembled)		\$326.45ea.	\$359.09ea.	\$424.38ea.	n/a
324003360-**-	60" Wide Gate (Unassembled)		\$359.10ea.	\$395.01ea.	\$466.83ea.	n/a
324003360-**-	72" Wide Gate (Unassembled)		\$395.01ea.	\$434.51ea.	\$513.51ea.	n/a

Part No.	Gate Hardware	Qty.	White: 01	Black: 07
933000000-**-	Residential Hinge	12	n/a	\$100.54set
933010000-**-	Residential Latch	24	n/a	\$47.66ea.
933020000-**-	Residential Drop Pin Kit	10	n/a	\$91.00ea.
930302120-**-	Regular Multi-Adjust Hinge (TCAMA2)	20	\$148.11ea.	\$148.11ea.
930312010-**-	Lockable Latch S2 (LLAA)	20	\$74.23set	\$74.23set
930343120-**-	10" Vertical Pull MagnaLatch (ML3VPKA)	10	n/a	\$188.54ea.
930351183-**-	18" Lockable Drop Pin (LB218BX-KSA)	10	n/a	\$201.19ea.
958040600	4" x 60" Aluminum Post Insert	20	\$89.96ea.	

48" IMPERIAL



Part No.	48" Imperial Yard Fence	Qty.	White: 01	Almond: 03	Clay: 04	Black: 07
324000480-**-	Special Length Section		\$37.83ft.	\$41.61ft.	\$49.18ft.	n/a
324000486-**-	6' Section	24	\$197.38ea.	\$217.12ea.	\$256.59ea.	n/a
324000488-**-	8' Section	24	\$263.17ea.	\$289.49ea.	\$342.12ea.	n/a

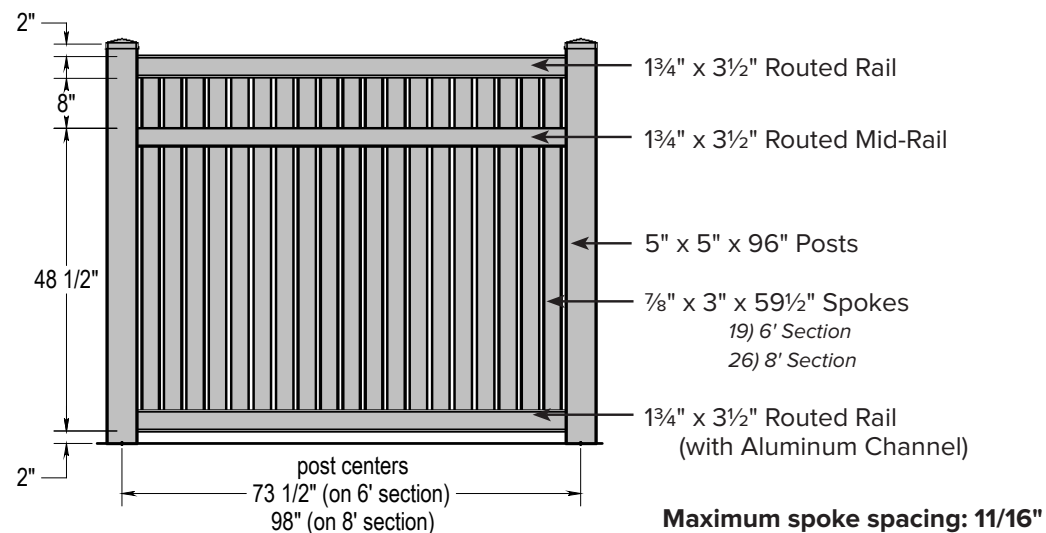
Part No.	Posts & Caps	Qty.	White: 01	Almond: 03	Clay: 04	Black: 07
320005480-**-	Line Post	48	\$39.95ea.	\$43.95ea.	\$51.94ea.	\$57.93ea.
320006480-**-	End Post	48	\$39.95ea.	\$43.95ea.	\$51.94ea.	\$57.93ea.
320007480-**-	Corner Post	48	\$39.95ea.	\$43.95ea.	\$51.94ea.	\$57.93ea.
320009480-**-	3-Way Post	48	\$38.49ea.	\$42.34ea.	\$50.04ea.	\$55.81ea.
320008480-**-	Blank Post	48	\$39.95ea.	\$43.95ea.	\$51.94ea.	\$57.93ea.
910010400-**-	4" Flat Cap	210	\$4.59ea.	\$5.05ea.	\$5.97ea.	\$6.66ea.
910012400-**-	4" New England Cap	32	\$14.71ea.	\$16.18ea.	\$19.12ea.	\$21.33ea.

Part No.	Gates (Hardware not included)	Qty.	White: 01	Almond: 03	Clay: 04	Black: 07
324003480-**-	36" Wide Gate (Unassembled)		\$329.75ea.	\$362.73ea.	\$428.68ea.	n/a
324003480-**-	48" Wide Gate (Unassembled)		\$362.73ea.	\$399.00ea.	\$471.55ea.	n/a
324003480-**-	60" Wide Gate (Unassembled)		\$398.99ea.	\$438.89ea.	\$518.68ea.	n/a
324003480-**-	72" Wide Gate (Unassembled)		\$438.89ea.	\$482.77ea.	\$570.55ea.	n/a

Part No.	Gate Hardware	Qty.	White: 01	Black: 07
933000000-**-	Residential Hinge	12	n/a	\$100.54set
933010000-**-	Residential Latch	24	n/a	\$47.66ea.
933010200-**-	Residential 2-Way Latch	24	n/a	\$43.87ea.
933130000-**-	Commercial Spring	10	n/a	\$91.20ea.
930302120-**-	Regular Multi-Adjust Hinge (TCAMA2)	20	\$148.11set	\$148.11set
930343220-**-	20" Top Pull MagnaLatch (ML3TPKA)	10	n/a	\$199.10ea.
930351183-**-	18" Lockable Drop Pin (LB218BX-KSA)	10	n/a	\$201.19ea.
958040720	4" x 72" Aluminum Post Insert	20	\$107.95ea.	



60" IMPERIAL



Part No.	60" Imperial Yard Fence	Qty.	White: 01	Almond: 03	Clay: 04	Black: 07
32400600-**-	Special Length Section		\$47.29ft.	\$52.01ft.	\$61.47ft.	\$68.56ft.
32400606-**-	6' Section	24	\$246.71ea.	\$271.38ea.	\$320.72ea.	n/a
32400608-**-	8' Section	24	\$328.97ea.	\$361.86ea.	\$427.66ea.	\$477.00ea.

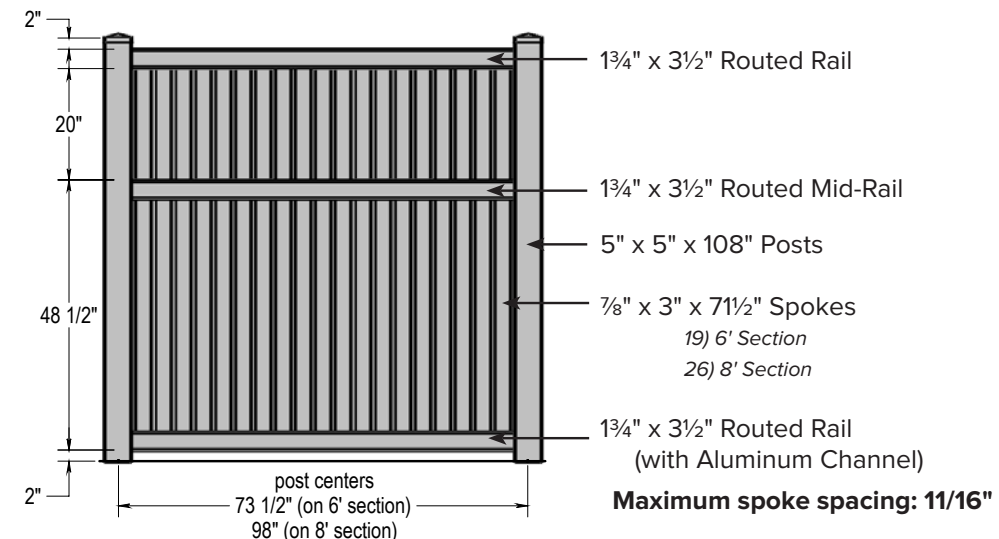
Part No.	Posts & Caps	Qty.	White: 01	Almond: 03	Clay: 04	Black: 07
320005600-**-	Line Post	48	\$61.56ea.	\$67.72ea.	\$80.03ea.	\$89.26ea.
320006600-**-	End Post	48	\$61.56ea.	\$67.72ea.	\$80.03ea.	\$89.26ea.
320007600-**-	Corner Post	48	\$61.56ea.	\$67.72ea.	\$80.03ea.	n/a
320009600-**-	3-Way Post	48	\$59.33ea.	\$65.26ea.	\$77.13ea.	n/a
320008600-**-	Blank Post	48	\$61.56ea.	\$67.72ea.	\$80.03ea.	n/a
910010500-**-	5" Flat Cap	160	\$4.86ea.	\$5.35ea.	\$6.32ea.	\$7.05ea.
910012500-**-	5" New England Cap	60	\$16.33ea.	\$17.96ea.	\$21.23ea.	n/a

Part No.	Gates (Hardware not included)	Qty.	White: 01	Almond: 03	Clay: 04	Black: 07
324003600-**-	36" Wide Gate (Unassembled)		\$395.69ea.	\$435.26ea.	\$514.40ea.	\$573.76ea.
324003600-**-	48" Wide Gate (Unassembled)		\$435.26ea.	\$478.78ea.	\$565.84ea.	\$631.12ea.
324003600-**-	60" Wide Gate (Unassembled)		\$478.77ea.	\$526.65ea.	\$622.40ea.	\$694.22ea.
324003600-**-	72" Wide Gate (Unassembled)		\$526.66ea.	\$579.33ea.	\$684.66ea.	\$763.66ea.

Part No.	Gate Hardware	Qty.	White: 01	Black: 07
933100000-**-	Commercial Hinge	10	n/a	\$119.82set
933110200-**-	Commercial 2-Way Latch	12	n/a	\$51.79ea.
933120000-**-	Commercial Drop Pin Kit	10	n/a	\$111.56ea.
933130000-**-	Commercial Spring	10	n/a	\$91.20ea.
930302220-**-	Heavy Duty Multi-Adjust Hinge (TCHDMA1)	10	\$199.73set	\$199.73set
930312210-**-	Lockable Latch w/Easy Access Kit (LLAAB)	20	n/a	\$122.78ea.
930351243-**-	24" Lockable Drop Pin (LB224BX-KSA)	10	n/a	\$223.30ea.
958050960	5" x 96" Aluminum Post Insert	16	\$180.20ea.	



72" IMPERIAL



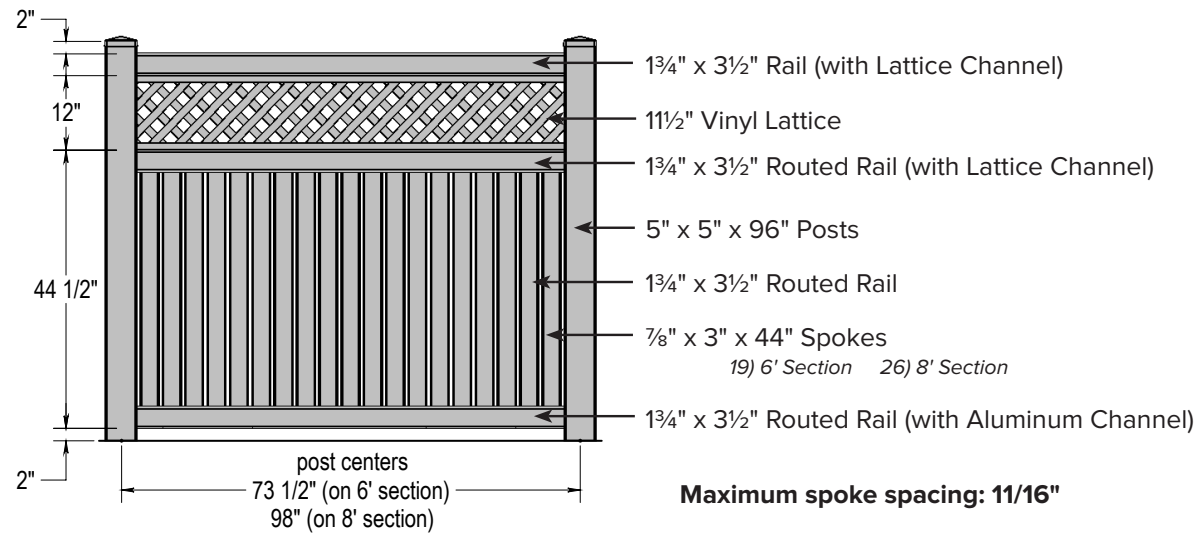
Part No.	72" Imperial Yard Fence	Qty.	White: 01	Almond: 03	Clay: 04	Black: 07
324000720-**-	Special Length Section		\$52.97ft.	\$58.27ft.	\$68.87ft.	n/a
324000726-**-	6' Section	24	\$276.33ea.	\$303.96ea.	\$359.23ea.	\$400.67ea.
324000728-**-	8' Section	24	\$368.42ea.	\$405.27ea.	\$478.95ea.	\$534.21ea.

Part No.	Posts & Caps	Qty.	White: 01	Almond: 03	Clay: 04	Black: 07
320005720-**-	Line Post	48	\$69.27ea.	\$76.20ea.	\$90.05ea.	\$100.45ea.
320006720-**-	End Post	48	\$69.27ea.	\$76.20ea.	\$90.05ea.	\$100.45ea.
320007720-**-	Corner Post	48	\$69.27ea.	\$76.20ea.	\$90.05ea.	\$100.45ea.
320009720-**-	3-Way Post	48	\$66.75ea.	\$73.43ea.	\$86.78ea.	n/a
320008720-**-	Blank Post	48	\$69.27ea.	\$76.20ea.	\$90.05ea.	n/a
910010500-**-	5" Flat Cap	160	\$4.86ea.	\$5.35ea.	\$6.32ea.	\$7.05ea.
910012500-**-	5" New England Cap	60	\$16.33ea.	\$17.96ea.	\$21.23ea.	n/a

Part No.	Gates (Hardware not included)	Qty.	White: 01	Almond: 03	Clay: 04	Black: 07
324003720-**-	36" Wide Gate (Unassembled)		\$428.66ea.	\$471.53ea.	\$557.26ea.	\$621.56ea.
324003720-**-	48" Wide Gate (Unassembled)		\$471.52ea.	\$518.67ea.	\$612.97ea.	\$683.70ea.
324003720-**-	60" Wide Gate (Unassembled)		\$518.68ea.	\$570.55ea.	\$674.28ea.	\$752.08ea.
324003720-**-	72" Wide Gate (Unassembled)		\$570.56ea.	\$627.61ea.	\$741.72ea.	\$827.30ea.

Part No.	Gate Hardware	Qty.	White: 01	Black: 07
933100000-**-	Commercial Hinge	10	n/a	\$119.82set
933110200-**-	Commercial 2-Way Latch	12	n/a	\$51.79ea.
933120000-**-	Commercial Drop Pin Kit	10	n/a	\$111.56ea.
933130000-**-	Commercial Spring	10	n/a	\$91.20ea.
930302220-**-	Heavy Duty Multi-Adjust Hinge (TCHDMA1)	10	\$199.73set	\$199.73set
930312210-**-	Lockable Latch w/Easy Access Kit (LLAAB)	20	n/a	\$122.78ea.
930351243-**-	24" Lockable Drop Pin (LB224BX-KSA)	10	n/a	\$223.30ea.
958050960	5" x 96" Aluminum Post Insert	16	\$180.20ea.	

60" IMPERIAL w/LATTICE



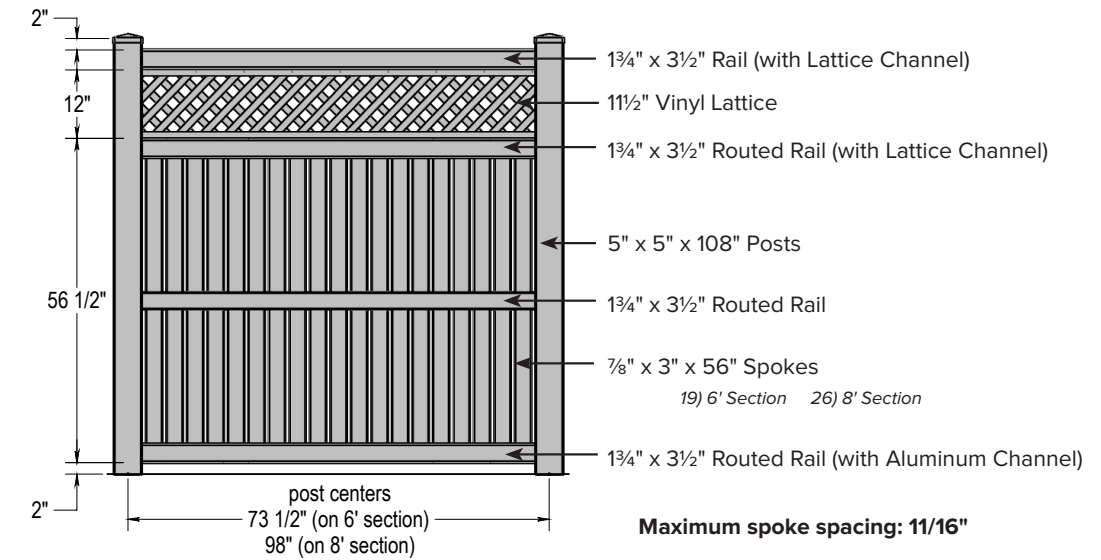
Part No.	60" Imperial Yard Fence w/Lattice	Qty.	White: 01	Almond: 03	Clay: 04	Black: 07
324020600-**-	Special Length Section		\$56.75ft.	\$62.43ft.	\$73.78ft.	n/a
324020606-**-	6' Section	24	\$296.06ea.	\$325.66ea.	\$384.87ea.	n/a
324020608-**-	8' Section	24	\$394.75ea.	\$434.22ea.	\$513.17ea.	n/a

Part No.	Posts & Caps	Qty.	White: 01	Almond: 03	Clay: 04	Black: 07
320025600-**-	Line Post	48	\$61.56ea.	\$67.72ea.	\$80.03ea.	n/a
320026600-**-	End Post	48	\$61.56ea.	\$67.72ea.	\$80.03ea.	n/a
320027600-**-	Corner Post	48	\$61.56ea.	\$67.72ea.	\$80.03ea.	n/a
320029600-**-	3-Way Post	48	\$59.33ea.	\$65.26ea.	\$77.13ea.	n/a
320028600-**-	Blank Post	48	\$61.56ea.	\$67.72ea.	\$80.03ea.	n/a
910010500-**-	5" Flat Cap	160	\$4.86ea.	\$5.35ea.	\$6.32ea.	\$7.05ea.
910012500-**-	5" New England Cap	60	\$16.33ea.	\$17.96ea.	\$21.23ea.	n/a

Part No.	Gates (Hardware not included)	Qty.	White: 01	Almond: 03	Clay: 04	Black: 07
324023600-**-	36" Wide Gate (Unassembled)		\$415.49ea.	\$457.03ea.	\$540.13ea.	n/a
324023600-**-	48" Wide Gate (Unassembled)		\$457.02ea.	\$502.72ea.	\$594.13ea.	n/a
324023600-**-	60" Wide Gate (Unassembled)		\$502.74ea.	\$553.01ea.	\$653.56ea.	n/a
324023600-**-	72" Wide Gate (Unassembled)		\$553.00ea.	\$608.30ea.	\$718.89ea.	n/a

Part No.	Gate Hardware	Qty.	White: 01	Black: 07
933100000-**-	Commercial Hinge	10	n/a	\$119.82set
933110200-**-	Commercial 2-Way Latch	12	n/a	\$51.79ea.
933120000-**-	Commercial Drop Pin Kit	10	n/a	\$111.56ea.
930302220-**-	Heavy Duty Multi-Adjust Hinge (TCHDMA1)	10	\$199.73ea.	\$199.73ea.
930312210-**-	Lockable Latch w/Easy Access Kit (LLAAB)	20	n/a	\$122.78set
930343120-**-	10" Vertical Pull MagnaLatch (ML3VPKA)	10	n/a	\$188.54ea.
930351243-**-	24" Lockable Drop Pin (LB224BX-KSA)	10	n/a	\$223.30ea.
958050960	5" x 96" Aluminum Post Insert	16	\$180.20ea.	

72" IMPERIAL w/LATTICE



Part No.	72" Imperial Yard Fence w/Lattice	Qty.	White: 01	Almond: 03	Clay: 04	Black: 07
324020720-**-	Special Length Section		\$63.56ft.	\$69.91ft.	\$82.63ft.	n/a
324020726-**-	6' Section	24	\$331.59ea.	\$364.75ea.	\$431.06ea.	n/a
324020728-**-	8' Section	24	\$442.12ea.	\$486.33ea.	\$574.75ea.	n/a

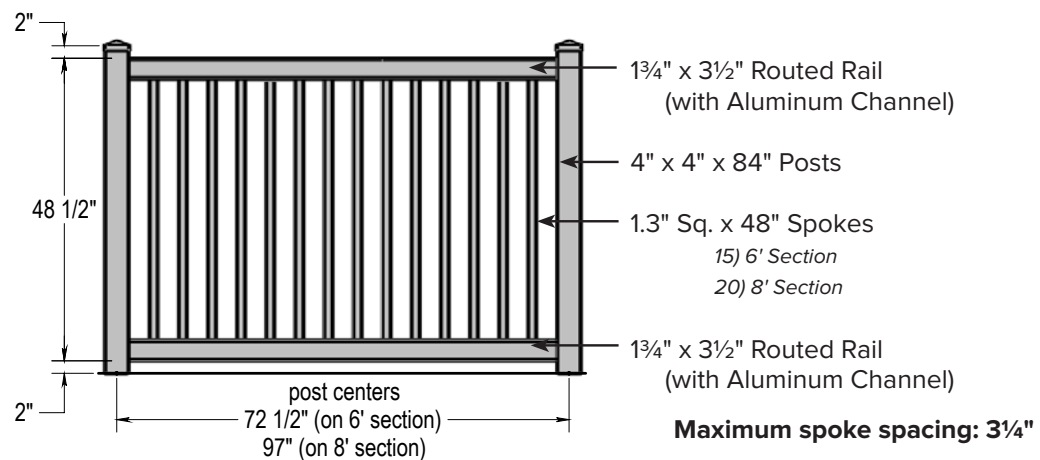
Part No.	Posts & Caps	Qty.	White: 01	Almond: 03	Clay: 04	Black: 07
320025720-**-	Line Post	48	\$69.27ea.	\$76.20ea.	\$90.05ea.	n/a
320026720-**-	End Post	48	\$69.27ea.	\$76.20ea.	\$90.05ea.	n/a
320027720-**-	Corner Post	48	\$69.27ea.	\$76.20ea.	\$90.05ea.	n/a
320029720-**-	3-Way Post	48	\$66.75ea.	\$73.43ea.	\$86.78ea.	n/a
320028720-**-	Blank Post	48	\$69.27ea.	\$76.20ea.	\$90.05ea.	n/a
910010500-**-	5" Flat Cap	160	\$4.86ea.	\$5.35ea.	\$6.32ea.	\$7.05ea.
910012500-**-	5" New England Cap	60	\$16.33ea.	\$17.96ea.	\$21.23ea.	n/a

Part No.	Gates (Hardware not included)	Qty.	White: 01	Almond: 03	Clay: 04	Black: 07
324023720-**-	36" Wide Gate (Unassembled)		\$450.09ea.	\$495.10ea.	\$585.12ea.	n/a
324023720-**-	48" Wide Gate (Unassembled)		\$495.12ea.	\$544.63ea.	\$643.65ea.	n/a
324023720-**-	60" Wide Gate (Unassembled)		\$544.61ea.	\$599.07ea.	\$707.99ea.	n/a
324023720-**-	72" Wide Gate (Unassembled)		\$597.83ea.	\$657.62ea.	\$777.18ea.	n/a

Part No.	Gate Hardware	Qty.	White: 01	Black: 07
933100000-**-	Commercial Hinge	10	n/a	\$119.82set
933110200-**-	Commercial 2-Way Latch	12	n/a	\$51.79ea.
933120000-**-	Commercial Drop Pin Kit	10	n/a	\$111.56ea.
933130000-**-	Commercial Spring	10	n/a	\$91.20ea.
930302220-**-	Heavy Duty Multi-Adjust Hinge (TCHDMA1)	10	\$199.73set	\$199.73set
930312210-**-	Lockable Latch w/Easy Access Kit (LLAAB)	20	n/a	\$122.78ea.
930351243-**-	24" Lockable Drop Pin (LB224BX-KSA)	10	n/a	\$223.30ea.
958050960	5" x 96" Aluminum Post Insert	16	\$180.20ea.	



48" MODEL



Part No.	48" Model Yard Fence	Qty.	White: 01	Almond: 03	Clay: 04	Black: 07
325000480-**-	Special Length Section		\$28.03ft.	\$30.83ft.	\$36.43ft.	n/a
325000486-**-	6' Section	24	\$146.20ea.	\$160.82ea.	\$190.05ea.	\$211.98ea.
325000488-**-	8' Section	24	\$194.95ea.	\$214.44ea.	\$253.43ea.	\$282.68ea.

Part No.	Posts & Caps	Qty.	White: 01	Almond: 03	Clay: 04	Black: 07
320005480-**-	Line Post	48	\$39.95ea.	\$43.95ea.	\$51.94ea.	\$57.93ea.
320006480-**-	End Post	48	\$39.95ea.	\$43.95ea.	\$51.94ea.	\$57.93ea.
320007480-**-	Corner Post	48	\$39.95ea.	\$43.95ea.	\$51.94ea.	\$57.93ea.
320009480-**-	3-Way Post	48	\$38.49ea.	\$42.34ea.	\$50.04ea.	\$55.81ea.
320008480-**-	Blank Post	48	\$39.95ea.	\$43.95ea.	\$51.94ea.	\$57.93ea.
910010400-**-	4" Flat Cap	210	\$4.59ea.	\$5.05ea.	\$5.97ea.	\$6.66ea.
910012400-**-	4" New England Cap	32	\$14.71ea.	\$16.18ea.	\$19.12ea.	\$21.33ea.

Part No.	Gates (Hardware not included)	Qty.	White: 01	Almond: 03	Clay: 04	Black: 07
325003480-**-	36" Wide Gate (Unassembled)		\$299.07ea.	\$328.98ea.	\$388.79ea.	\$433.65ea.
325003480-**-	48" Wide Gate (Unassembled)		\$328.99ea.	\$361.88ea.	\$427.68ea.	\$477.03ea.
325003480-**-	60" Wide Gate (Unassembled)		\$361.88ea.	\$398.07ea.	\$470.45ea.	\$524.73ea.
325003480-**-	72" Wide Gate (Unassembled)		\$398.07ea.	\$437.88ea.	\$517.49ea.	\$577.20ea.

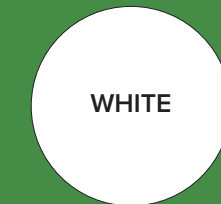
Part No.	Gate Hardware	Qty.	White: 01	Black: 07
933000000-**-	Residential Hinge	12	n/a	\$100.54set
933010000-**-	Residential Latch	24	n/a	\$47.66ea.
933010200-**-	Residential 2-Way Latch	24	n/a	\$43.87ea.
933130000-**-	Commercial Spring	10	n/a	\$91.20ea.
930302120-**-	Regular Multi-Adjust Hinge (TCAMA2)	20	\$148.11set	\$148.11set
930343220-**-	20" Top Pull MagnaLatch (ML3TPKA)	10	n/a	\$199.10ea.
930351183-**-	18" Lockable Drop Pin (LB218BX-KSA)	10	n/a	\$201.19ea.
958040720-**-	4" x 72" Aluminum Post Insert	20	\$107.95ea.	



PRIVACY FENCE

Superior's privacy fence is the perfect choice for those who want to create a safe, quiet retreat in their own backyards. Make your backyard a place to truly get away!

COLORS



WHITE



ALMOND



CLAY

PRIVACY FENCE STYLES



BOSTON

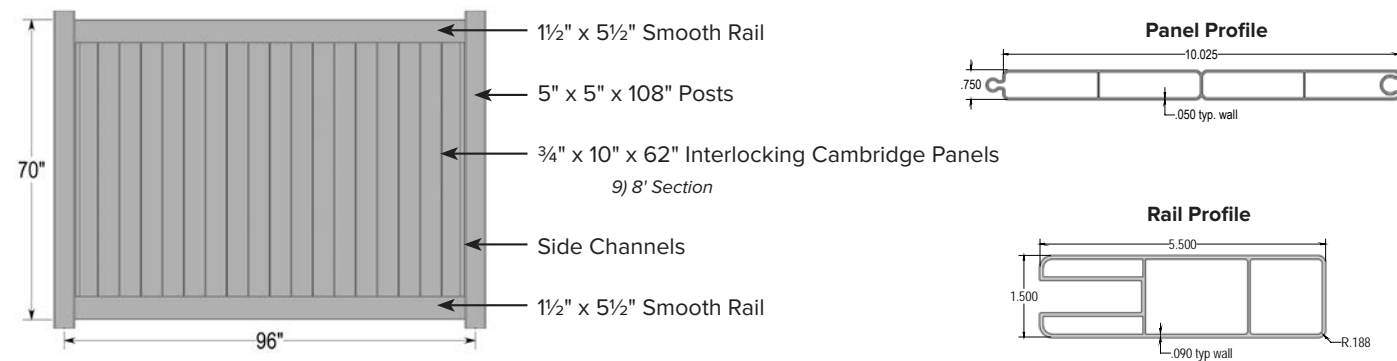


CAMBRIDGE

Important Notifications:
Qty. indicates Box or Skid quantities. The ** in Part Number represents the color codes. Fencing sections do not include posts or caps.

Terms: Net 30 days to approved accounts. Otherwise: Cash, check or money order. Prices F.O.B. New Holland, PA / Prices subject to change without notice.

70"H 1½" x 5½" CAMBRIDGE SMOOTH



Part No.	70" H 1 1/2" X 5 1/2" Smooth Rail Cambridge	Qty.	White: 01	Almond: 03	Clay: 04
333700708-**	8' Section (Channel Sold Separately)		\$202.65ea.	\$222.92ea.	\$263.45ea.

Minimum Order Qty: 144 Sections... Section color and height must be equal to qualify for qty discount; Lattice Sections are included to reach minimum.

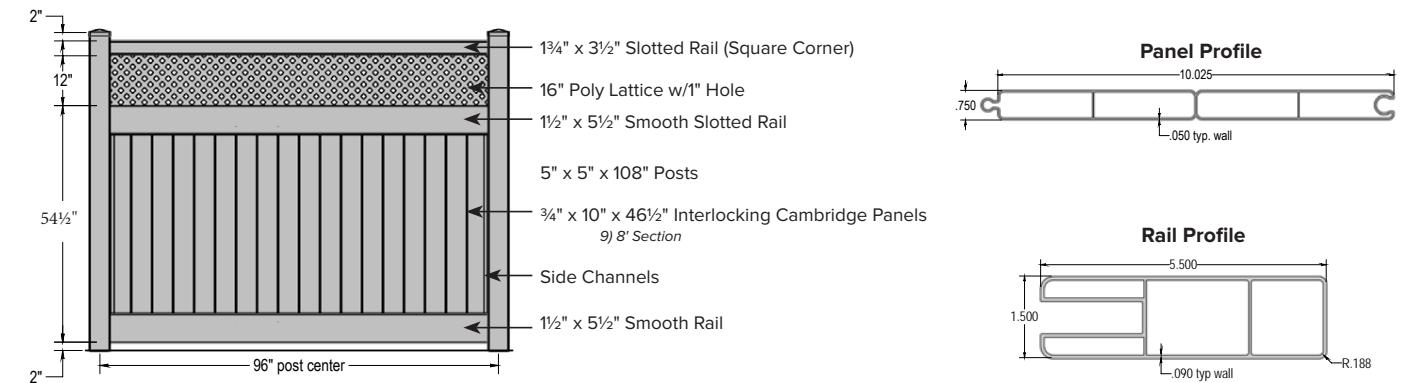
Part No.	Channel	Qty.	List
656870940-**	94" Privacy Aluminum U-Channel	144	\$31.48ea.
676870940-**	94" Privacy Galvanized U-Channel	144	\$18.05ea.

Part No.	Posts & Caps	Qty.	White: 01	Almond: 03	Clay: 04
333705700-**	Line Post		\$65.98ea.	\$72.58ea.	\$85.77ea.
333706700-**	End Post		\$65.98ea.	\$72.58ea.	\$85.77ea.
333707700-**	Corner Post		\$65.98ea.	\$72.58ea.	\$85.77ea.
333709700-**	3-Way Post		\$66.75ea.	\$73.43ea.	\$86.78ea.
333708700-**	Blank Post		\$65.98ea.	\$72.58ea.	\$85.77ea.
910010500-**	5" Flat Cap	160	\$4.86ea.	\$5.35ea.	\$6.32ea.
910012500-**	5" New England Cap	60	\$16.33ea.	\$17.96ea.	\$21.23ea.

Part No.	Gates (Hardware not included)	Qty.	White: 01	Almond: 03	Clay: 04
333703700-**	36" Wide x 70" High Cambridge 1 1/2" x 5 1/2"		\$302.70ea.	\$332.97ea.	\$393.51ea.
333703700-**	48" Wide x 70" High Cambridge 1 1/2" x 5 1/2"		\$332.96ea.	\$366.25ea.	\$432.84ea.
333703700-**	60" Wide x 70" High Cambridge 1 1/2" x 5 1/2"		\$366.26ea.	\$402.89ea.	\$476.14ea.
333703700-**	72" Wide x 70" High Cambridge 1 1/2" x 5 1/2"		\$402.87ea.	\$443.15ea.	\$523.73ea.

Part No.	Gate Hardware	Qty.	White: 01	Black: 07
933100000-**	Commercial Hinge	10	n/a	\$119.82set
933110200-**	Commercial 2-Way Latch	12	n/a	\$51.79ea.
933120000-**	Commercial Drop Pin Kit	10	n/a	\$111.56ea.
933130000-**	Commercial Spring	10	n/a	\$91.20ea.
930302220-**	Heavy Duty Multi-Adjust Hinge (TCHDMA1)	10	\$199.73set	\$199.73set
930312210-**	Lockable Latch w/Easy Access Kit (LLAAB)	20	n/a	\$122.78ea.
930351243-**	24" Lockable Drop Pin (LB224BX-KSA)	10	n/a	\$223.30ea.
958050960	5" x 96" Aluminum Post Insert	16	\$180.20ea.	

70"H 1½" x 5½" CAMBRIDGE SMOOTH w/LATTICE



Part No.	70" H 1 1/2" X 5 1/2" Smooth Rail Cambridge w/Lattice	Qty.	White: 01	Almond: 03	Clay: 04
333720708-**	8' Section (Channel Sold Separately)		\$283.73ea.	\$312.10ea.	\$368.84ea.

Minimum Order Qty: 48 Sections for White and other Colors

Part No.	Channel	Qty.	List
656870940-**	94" Privacy Aluminum U-Channel	144	\$31.48ea.
676870940-**	94" Privacy Galvanized U-Channel	144	\$18.05ea.

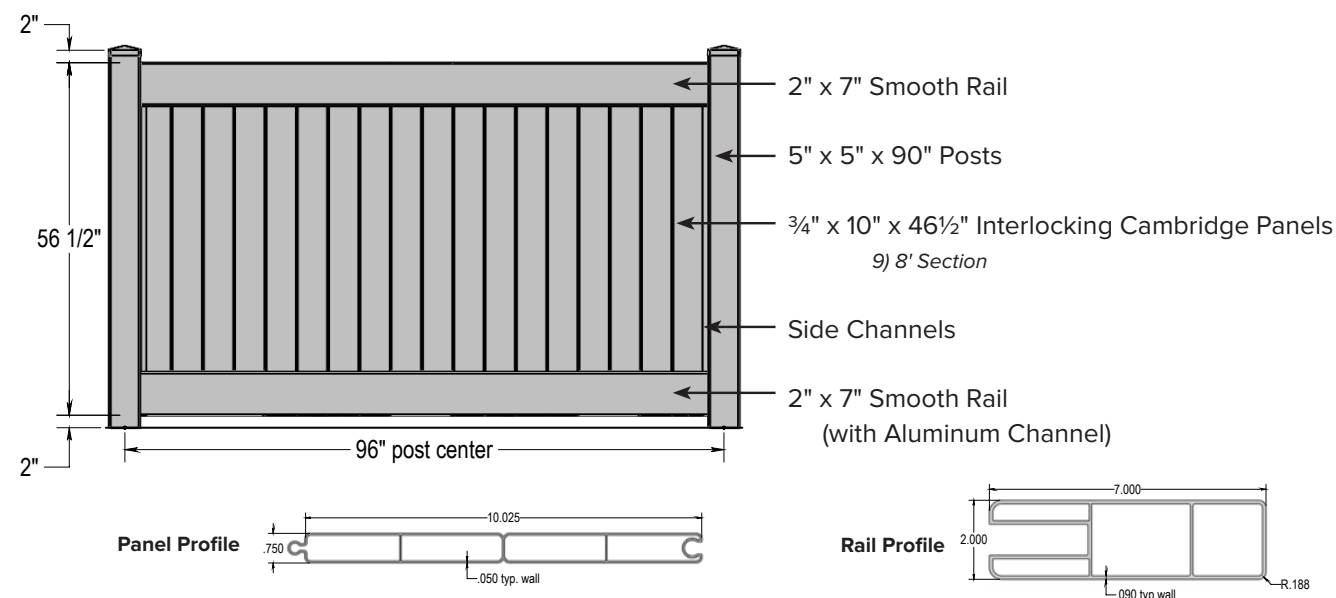
Part No.	Posts & Caps	Qty.	White: 01	Almond: 03	Clay: 04
333725700-**	Line Post		\$65.98ea.	\$72.58ea.	\$85.77ea.
333726700-**	End Post		\$65.98ea.	\$72.58ea.	\$85.77ea.
333727700-**	Corner Post		\$65.98ea.	\$72.58ea.	\$85.77ea.
333729700-**	3-Way Post		\$68.75ea.	\$75.63ea.	\$89.38ea.
333728700-**	Blank Post		\$65.98ea.	\$72.58ea.	\$85.77ea.
910010500-**	5" Flat Cap	160	\$4.86ea.	\$5.35ea.	\$6.32ea.
910012500-**	5" New England Cap	60	\$16.33ea.	\$17.96ea.	\$21.23ea.

Part No.	Gates (Hardware not included)	Qty.	White: 01	Almond: 03	Clay: 04
333723700-**	36" Wide x 70" High Cambridge 1 1/2" X 5 1/2"		\$332.95ea.	\$366.24ea.	\$432.83ea.
333723700-**	48" Wide x 70" High Cambridge 1 1/2" X 5 1/2"		\$366.23ea.	\$402.85ea.	\$476.10ea.
333723700-**	60" Wide x 70" High Cambridge 1 1/2" X 5 1/2"		\$402.85ea.	\$443.13ea.	\$523.70ea.
333723700-**	72" Wide x 70" High Cambridge 1 1/2" X 5 1/2"		\$443.15ea.	\$487.47ea.	\$576.10ea.

Part No.	Gate Hardware	Qty.	White: 01	Black: 07
933100000-**	Commercial Hinge	10	n/a	\$119.82set
933110200-**	Commercial 2-Way Latch	12	n/a	\$51.79ea.
933120000-**	Commercial Drop Pin Kit	10	n/a	\$111.56ea.
933130000-**	Commercial Spring	10	n/a	\$91.20ea.
930302220-**	Heavy Duty Multi-Adjust Hinge (TCHDMA1)	10	\$199.73set	\$199.73set
930312210-**	Lockable Latch w/Easy Access Kit (LLAAB)	20	n/a	\$122.78ea.
930351243-**	24" Lockable Drop Pin (LB224BX-KSA)	10	n/a	\$223.30ea.
958050960	5" x 96" Aluminum Post Insert	16	\$180.20ea.	



56 1/2" H 2" x 7" CAMBRIDGE SMOOTH



Part No.	56 1/2" H 2" X 7" Smooth Rail Cambridge	Qty.	White: 01	Almond: 03	Clay: 04
333100568-**-	8' Section		\$204.92ea.	\$225.41ea.	\$266.40ea.

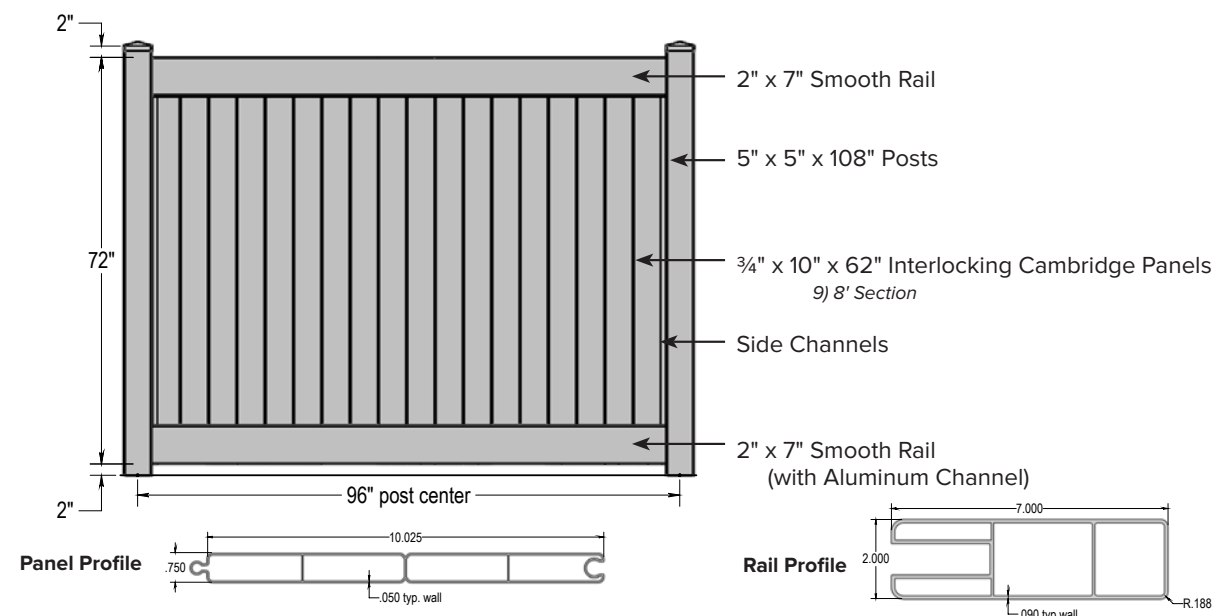
Part No.	Posts & Caps	Qty.	White: 01	Almond: 03	Clay: 04
333105560-**-	Line Post		\$58.64ea.	\$64.51ea.	\$76.24ea.
333106560-**-	End Post		\$58.64ea.	\$64.51ea.	\$76.24ea.
333107560-**-	Corner Post		\$58.64ea.	\$64.51ea.	\$76.24ea.
333009560-**-	3-Way Post		\$56.51ea.	\$62.16ea.	\$73.46ea.
333108560-**-	Blank Post		\$58.64ea.	\$64.51ea.	\$76.24ea.
910010500-**-	5" Flat Cap	160	\$4.86ea.	\$5.35ea.	\$6.32ea.
910012500-**-	5" New England Cap	60	\$16.33ea.	\$17.96ea.	\$21.23ea.

Part No.	Gates (Hardware not included)	Qty.	White: 01	Almond: 03	Clay: 04
333103560-**-	36" Wide Gate (Unassembled)		\$302.70ea.	\$332.97ea.	\$393.51ea.
333103560-**-	48" Wide Gate (Unassembled)		\$332.96ea.	\$366.25ea.	\$432.84ea.
333103560-**-	60" Wide Gate (Unassembled)		\$366.26ea.	\$402.89ea.	\$476.14ea.
333103560-**-	72" Wide Gate (Unassembled)		\$402.87ea.	\$443.15ea.	\$523.73ea.

Part No.	Gate Hardware	Qty.	White: 01	Black: 07
933100000-**-	Commercial Hinge	10	n/a	\$119.82set
933110200-**-	Commercial 2-Way Latch	12	n/a	\$51.79ea.
933120000-**-	Commercial Drop Pin Kit	10	n/a	\$111.56ea.
933130000-**-	Commercial Spring	10	n/a	\$91.20ea.
930302220-**-	Heavy Duty Multi-Adjust Hinge (TCHDMA1)	10	\$199.73set	\$199.73set
930312210-**-	Lockable Latch w/Easy Access Kit (LLAAB)	20	n/a	\$122.78ea.
930351243-**-	24" Lockable Drop Pin (LB224BX-KSA)	10	n/a	\$223.30ea.
958050780	5" x 78" Aluminum Post Insert	16	\$146.39ea.	



72" H 2" x 7" CAMBRIDGE SMOOTH



Part No.	72" H 2" X 7" Smooth Rail Cambridge	Qty.	White: 01	Almond: 03	Clay: 04
333100728-**-	8' Section		\$241.09ea.	\$265.20ea.	\$313.42ea.

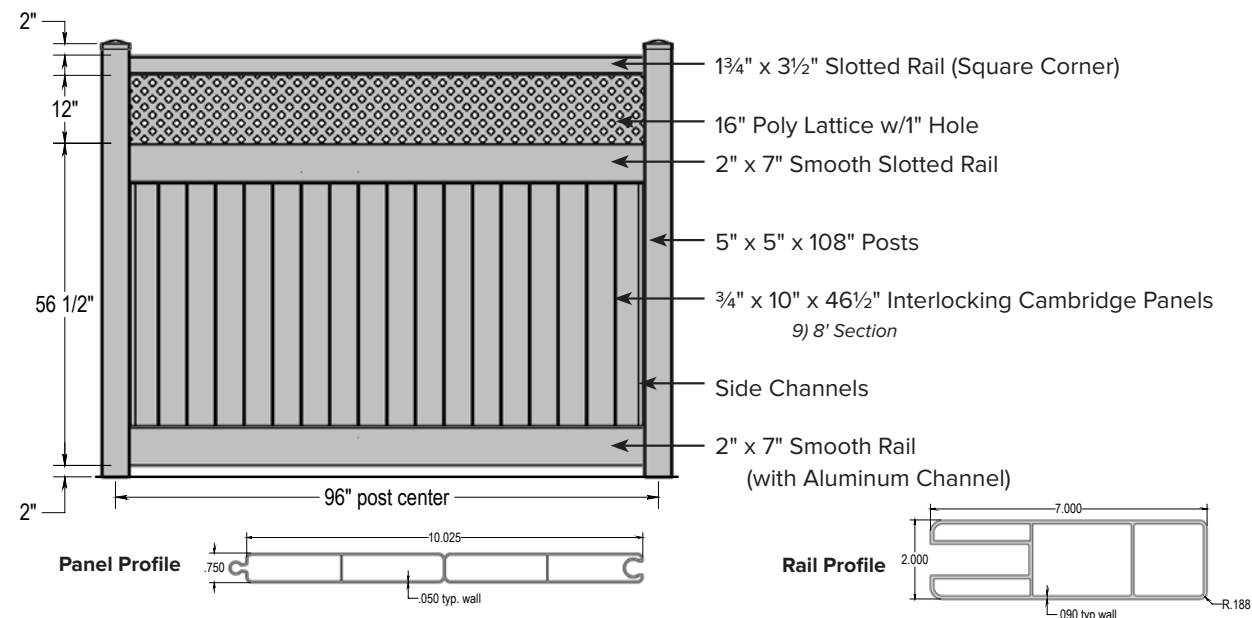
Part No.	Posts & Caps	Qty.	White: 01	Almond: 03	Clay: 04
333105720-**-	Line Post		\$65.98ea.	\$72.58ea.	\$85.77ea.
333106720-**-	End Post		\$65.98ea.	\$72.58ea.	\$85.77ea.
333107720-**-	Corner Post		\$65.98ea.	\$72.58ea.	\$85.77ea.
333109720-**-	3-Way Post		\$63.58ea.	\$69.93ea.	\$82.65ea.
333108720-**-	Blank Post		\$65.98ea.	\$72.58ea.	\$85.77ea.
910010500-**-	5" Flat Cap	160	\$4.86ea.	\$5.35ea.	\$6.32ea.
910012500-**-	5" New England Cap	60	\$16.33ea.	\$17.96ea.	\$21.23ea.

Part No.	Gates (Hardware not included)	Qty.	White: 01	Almond: 03	Clay: 04
333103720-**-	36" Wide Gate (Unassembled)		\$336.29ea.	\$369.92ea.	\$437.18ea.
333103720-**-	48" Wide Gate (Unassembled)		\$369.93ea.	\$406.92ea.	\$480.91ea.
333103720-**-	60" Wide Gate (Unassembled)		\$406.94ea.	\$447.63ea.	\$529.02ea.
333103720-**-	72" Wide Gate (Unassembled)		\$447.62ea.	\$492.39ea.	\$581.91ea.

Part No.	Gate Hardware	Qty.	White: 01	Black: 07
933100000-**-	Commercial Hinge	10	n/a	\$119.82set
933110200-**-	Commercial 2-Way Latch	12	n/a	\$51.79ea.
933120000-**-	Commercial Drop Pin Kit	10	n/a	\$111.56ea.
933130000-**-	Commercial Spring	10	n/a	\$91.20ea.
930302220-**-	Heavy Duty Multi-Adjust Hinge (TCHDMA1)	10	\$199.73set	\$199.73set
930312210-**-	Lockable Latch w/Easy Access Kit (LLAAB)	20	n/a	\$122.78ea.
930351243-**-	24" Lockable Drop Pin (LB224BX-KSA)	10	n/a	\$223.30ea.
958050960-**-	5" x 96" Aluminum Post Insert	16	\$180.20ea.	



72"H 2" x 7" CAMBRIDGE SMOOTH w/LATTICE



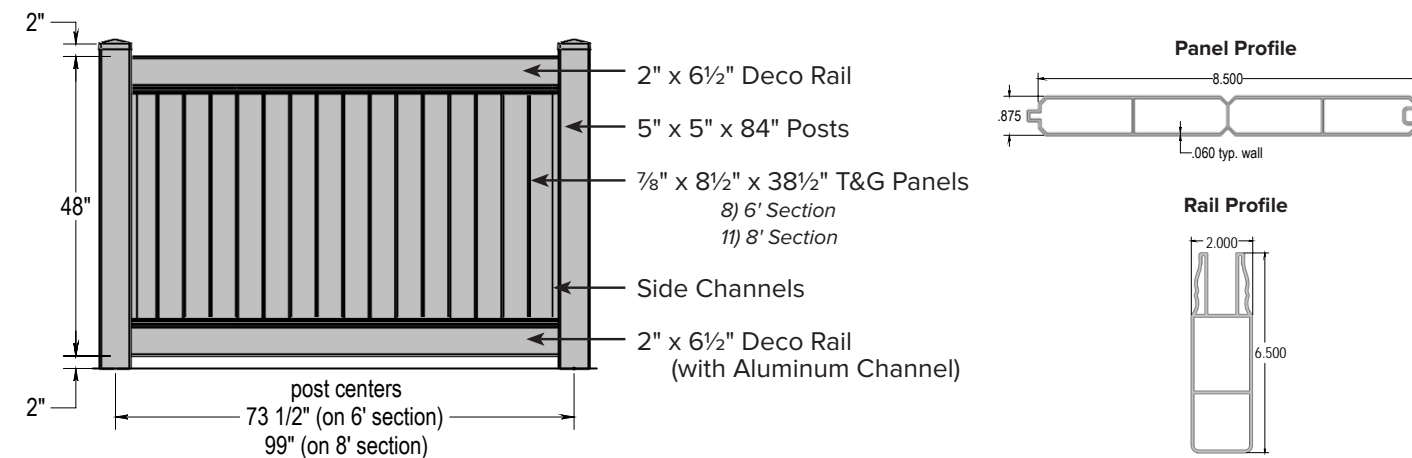
Part No.	72" H 2" X 7" Smooth Rail Cambridge w/Lattice	Qty.	White: 01	Almond: 03	Clay: 04
333120728-**	8' Section		\$325.47ea.	\$358.01ea.	\$423.11ea.

Part No.	Posts & Caps	Qty.	White: 01	Almond: 03	Clay: 04
333125720-**	Line Post		\$65.98ea.	\$72.58ea.	\$85.77ea.
333126720-**	End Post		\$65.98ea.	\$72.58ea.	\$85.77ea.
333127720-**	Corner Post		\$65.98ea.	\$72.58ea.	\$85.77ea.
333129720-**	3-Way Post		\$63.58ea.	\$69.93ea.	\$82.65ea.
333128720-**	Blank Post		\$65.98ea.	\$72.58ea.	\$85.77ea.
910010500-**	5" Flat Cap	160	\$4.86ea.	\$5.35ea.	\$6.32ea.
910012500-**	5" New England Cap	60	\$16.33ea.	\$17.96ea.	\$21.23ea.

Part No.	Gates (Hardware not included)	Qty.	White: 01	Almond: 03	Clay: 04
333123720-**	36" Wide Gate (Unassembled)		\$369.93ea.	\$406.92ea.	\$480.91ea.
333123720-**	48" Wide Gate (Unassembled)		\$406.94ea.	\$447.63ea.	\$529.02ea.
333123720-**	60" Wide Gate (Unassembled)		\$447.62ea.	\$492.39ea.	\$581.91ea.
333123720-**	72" Wide Gate (Unassembled)		\$492.37ea.	\$541.61ea.	\$640.08ea.

Part No.	Gate Hardware	Qty.	White: 01	Black: 07
933100000-**	Commercial Hinge	10	n/a	\$119.82set
933110200-**	Commercial 2-Way Latch	12	n/a	\$51.79ea.
933120000-**	Commercial Drop Pin Kit	10	n/a	\$111.56ea.
933130000-**	Commercial Spring	10	n/a	\$91.20ea.
930302220-**	Heavy Duty Multi-Adjust Hinge (TCHDMA1)	10	\$199.73set	\$199.73set
930312210-**	Lockable Latch w/Easy Access Kit (LLAAB)	20	n/a	\$122.78ea.
930351243-**	24" Lockable Drop Pin (LB224BX-KSA)	10	n/a	\$223.30ea.
958050960	5" x 96" Aluminum Post Insert	16	\$180.20ea.	

48"H 2" x 6 1/2" BOSTON



Part No.	48" H 2" X 6 1/2" Deco Rail Boston	Qty.	White: 01	Almond: 03	Clay: 04
331000480-**	Special Length Section		\$33.29ft	\$36.62ft	\$43.28ft
331000486-**	6' Section		\$173.73ea.	\$191.10ea.	\$225.85ea.
331000488-**	8' Section		\$231.63ea.	\$254.80ea.	\$301.12ea.

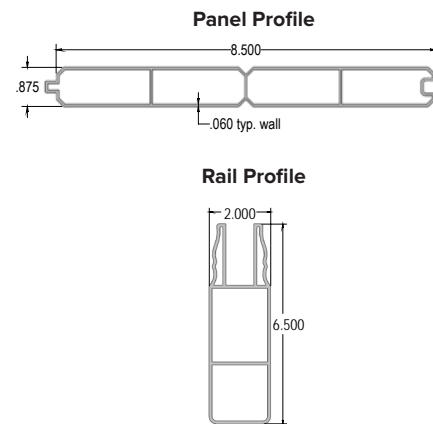
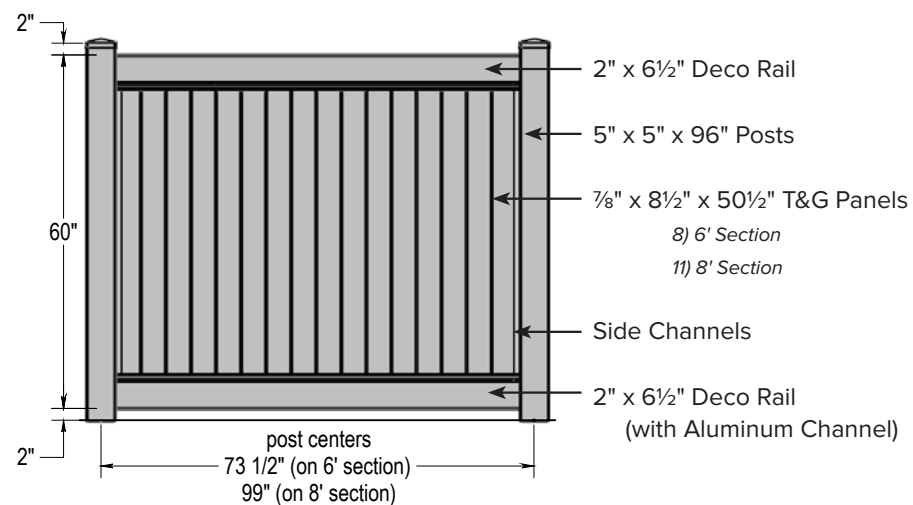
Part No.	Posts & Caps	Qty.	White: 01	Almond: 03	Clay: 04
330005480-**	Line Post		\$50.01ea.	\$55.01ea.	\$65.02ea.
330006480-**	End Post		\$50.01ea.	\$55.01ea.	\$65.02ea.
330007480-**	Corner Post		\$50.01ea.	\$55.01ea.	\$65.02ea.
330009480-**	3-Way Post		\$48.20ea.	\$53.01ea.	\$62.65ea.
330008480-**	Blank Post		\$50.01ea.	\$55.01ea.	\$65.02ea.
910010500-**	5" Flat Cap	160	\$4.86ea.	\$5.35ea.	\$6.32ea.
910012500-**	5" New England Cap	60	\$16.33ea.	\$17.96ea.	\$21.23ea.

Part No.	Gates (Hardware not included)	Qty.	White: 01	Almond: 03	Clay: 04
331003480-**	36" Wide Gate (Unassembled)		\$366.88ea.	\$403.56ea.	\$476.94ea.
331003480-**	48" Wide Gate (Unassembled)		\$403.56ea.	\$443.92ea.	\$524.63ea.
331003480-**	60" Wide Gate (Unassembled)		\$443.93ea.	\$488.32ea.	\$577.10ea.
331003480-**	72" Wide Gate (Unassembled)		\$488.31ea.	\$537.14ea.	\$634.81ea.

Part No.	Gate Hardware	Qty.	White: 01	Black: 07
933100000-**	Commercial Hinge	10	n/a	\$119.82set
933110200-**	Commercial 2-Way Latch	12	n/a	\$51.79ea.
933120000-**	Commercial Drop Pin Kit	10	n/a	\$111.56ea.
930302220-**	Heavy Duty Multi-Adjust Hinge (TCHDMA1)	10	\$199.73ea.	\$199.73ea.
930312210-**	Lockable Latch w/Easy Access Kit (LLAAB)	20	n/a	\$122.78set
930343120-**	10" Vertical Pull MagnaLatch (ML3VPKA)	10	n/a	\$188.54ea.
930351243-**	24" Lockable Drop Pin (LB224BX-KSA)	10	n/a	\$223.30ea.
958050780	5" x 78" Aluminum Post Insert	16	\$146.39ea.	



60"H 2" x 6½" BOSTON



Part No.	60" H 2" X 6 1/2" Deco Rail Boston	Qty.	White: 01	Almond: 03	Clay: 04
331000600-**-	Special Length Section		\$40.44ft	\$44.48ft	\$52.57ft
331000606-**-	6' Section		\$210.95ea.	\$232.05ea.	\$274.24ea.
331000608-**-	8' Section		\$281.26ea.	\$309.38ea.	\$365.64ea.

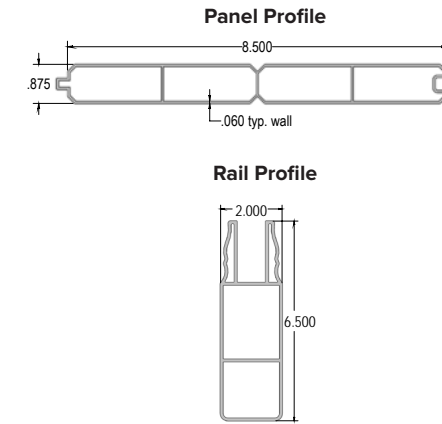
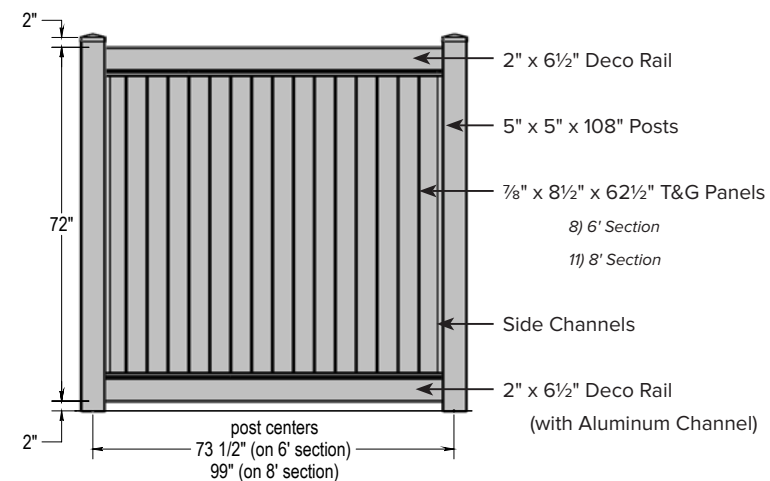
Part No.	Posts & Caps	Qty.	White: 01	Almond: 03	Clay: 04
330005600-**-	Line Post		\$61.56ea.	\$67.72ea.	\$80.03ea.
330006600-**-	End Post		\$61.56ea.	\$67.72ea.	\$80.03ea.
330007600-**-	Corner Post		\$61.56ea.	\$67.72ea.	\$80.03ea.
330009600-**-	3-Way Post		\$59.33ea.	\$65.26ea.	\$77.13ea.
330008600-**-	Blank Post		\$61.56ea.	\$67.72ea.	\$80.03ea.
910010500-**-	5" Flat Cap	160	\$4.86ea.	\$5.35ea.	\$6.32ea.
910012500-**-	5" New England Cap	60	\$16.33ea.	\$17.96ea.	\$21.23ea.

Part No.	Gates (Hardware not included)	Qty.	White: 01	Almond: 03	Clay: 04
331003600-**-	36" Wide Gate (Unassembled)		\$387.24ea.	\$425.97ea.	\$503.42ea.
331003600-**-	48" Wide Gate (Unassembled)		\$309.31ea.	\$340.24ea.	\$402.11ea.
331003600-**-	60" Wide Gate (Unassembled)		\$468.57ea.	\$515.42ea.	\$609.14ea.
331003600-**-	72" Wide Gate (Unassembled)		\$515.41ea.	\$566.95ea.	\$670.04ea.

Part No.	Gate Hardware	Qty.	White: 01	Black: 07
933100000-**-	Commercial Hinge	10	n/a	\$119.82set
933110200-**-	Commercial 2-Way Latch	12	n/a	\$51.79ea.
933120000-**-	Commercial Drop Pin Kit	10	n/a	\$111.56ea.
933130000-**-	Commercial Spring	10	n/a	\$91.20ea.
930302220-**-	Heavy Duty Multi-Adjust Hinge (TCHDMA1)	10	\$199.73set	\$199.73set
930312210-**-	Lockable Latch w/Easy Access Kit (LLAAB)	20	n/a	\$122.78ea.
930351243-**-	24" Lockable Drop Pin (LB224BX-KSA)	10	n/a	\$223.30ea.
958050960	5" x 96" Aluminum Post Insert	16	\$180.20ea.	



72"H 2" x 6½" BOSTON



Part No.	72" H 2" X 6 1/2" Deco Rail Boston	Qty.	White: 01	Almond: 03	Clay: 04
331000720-**-	Special Length Section		\$47.57ft	\$52.33ft	\$61.85ft
331000726-**-	6' Section		\$248.18ea.	\$273.00ea.	\$322.64ea.
331000728-**-	8' Section		\$330.91ea.	\$364.00ea.	\$430.19ea.

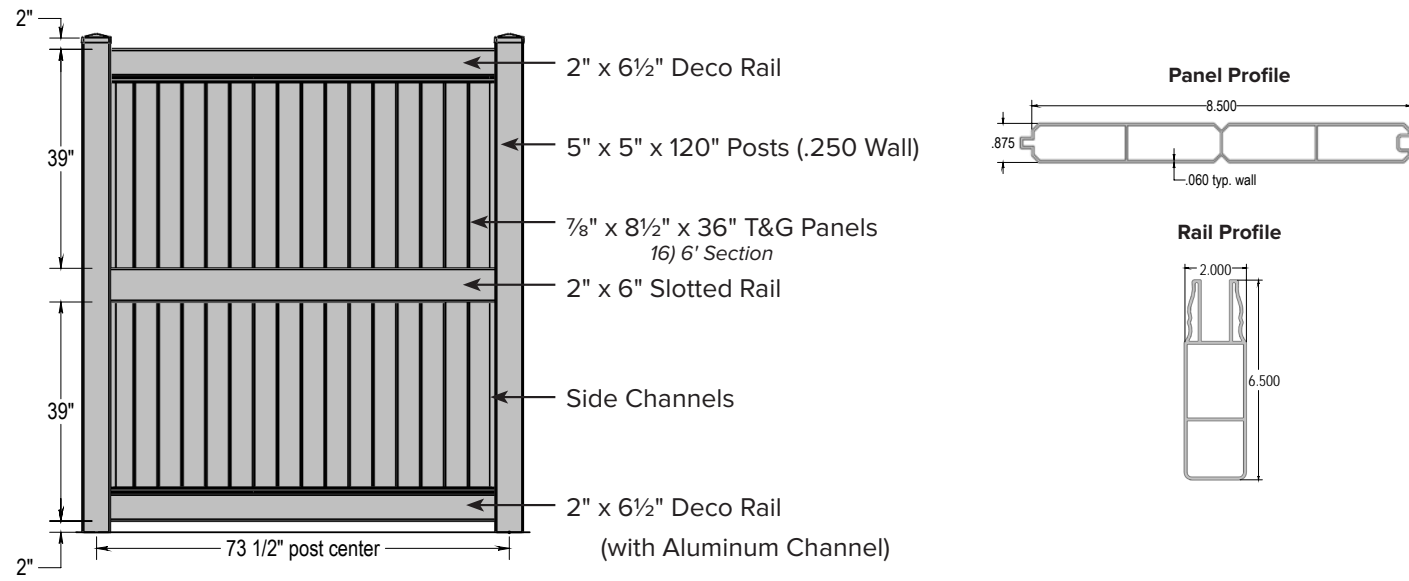
Part No.	Posts & Caps	Qty.	White: 01	Almond: 03	Clay: 04
330005720-**-	Line Post		\$69.27ea.	\$76.20ea.	\$90.05ea.
330006720-**-	End Post		\$69.27ea.	\$76.20ea.	\$90.05ea.
330007720-**-	Corner Post		\$69.27ea.	\$76.20ea.	\$90.05ea.
330009720-**-	3-Way Post		\$66.75ea.	\$73.43ea.	\$86.78ea.
330008720-**-	Blank Post		\$69.27ea.	\$76.20ea.	\$90.05ea.
910010500-**-	5" Flat Cap	160	\$4.86ea.	\$5.35ea.	\$6.32ea.
910012500-**-	5" New England Cap	60	\$16.33ea.	\$17.96ea.	\$21.23ea.

Part No.	Gates (Hardware not included)	Qty.	White: 01	Almond: 03	Clay: 04
331003720-**-	36" Wide Gate (Unassembled)		\$407.64ea.	\$448.40ea.	\$529.93ea.
331003720-**-	48" Wide Gate (Unassembled)		\$448.41ea.	\$493.25ea.	\$582.93ea.
331003720-**-	60" Wide Gate (Unassembled)		\$493.24ea.	\$542.56ea.	\$641.21ea.
331003720-**-	72" Wide Gate (Unassembled)		\$542.56ea.	\$596.81ea.	\$705.32ea.

Part No.	Gate Hardware	Qty.	White: 01	Black: 07
933100000-**-	Commercial Hinge	10	n/a	\$119.82set
933110200-**-	Commercial 2-Way Latch	12	n/a	\$51.79ea.
933120000-**-	Commercial Drop Pin Kit	10	n/a	\$111.56ea.
933130000-**-	Commercial Spring	10	n/a	\$91.20ea.
930302220-**-	Heavy Duty Multi-Adjust Hinge (TCHDMA1)	10	\$199.73set	\$199.73set
930312210-**-	Lockable Latch w/Easy Access Kit (LLAAB)	20	n/a	\$122.78ea.
930351243-**-	24" Lockable Drop Pin (LB224BX-KSA)	10	n/a	\$223.30ea.
958050960	5" x 96" Aluminum Post Insert	16	\$180.20ea.	



84"H 2" x 6½" BOSTON



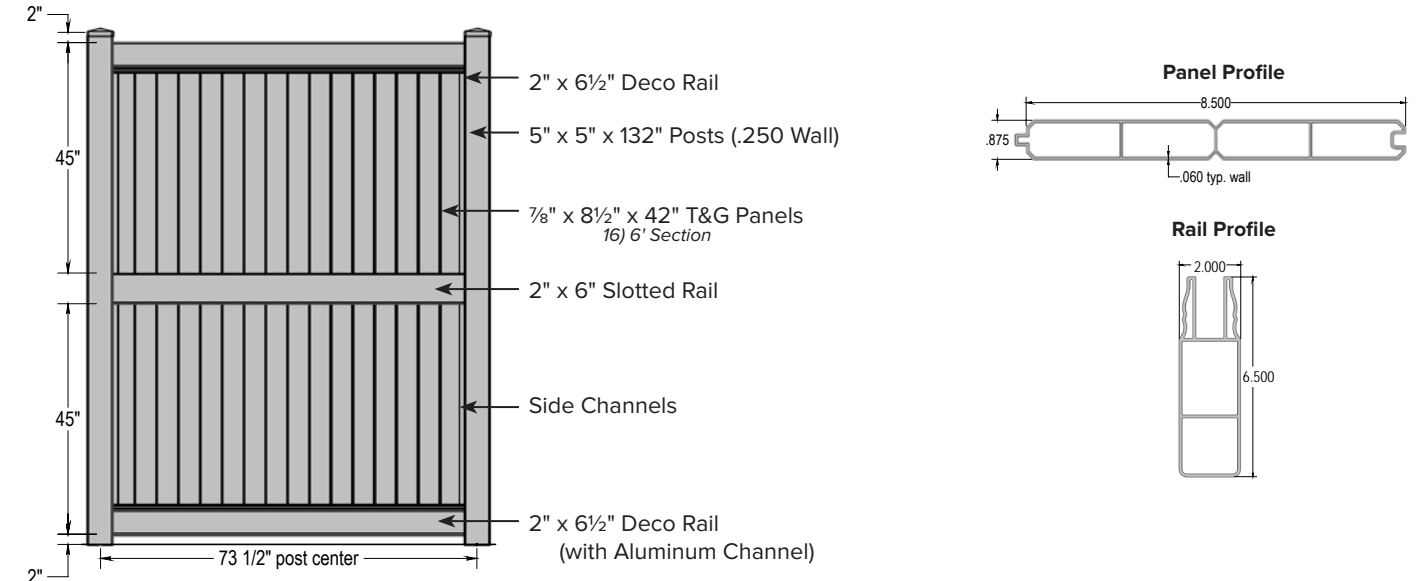
Part No.	84" H 2" X 6 1/2" Deco Rail Boston	Qty.	White: 01	Almond: 03	Clay: 04
331000840-**-	Special Length Section		\$59.47ft	\$65.42ft	\$77.31ft
331000846-**-	6' Section		\$310.24ea.	\$341.26ea.	\$403.31ea.

Part No.	Posts & Caps	Qty.	White: 01	Almond: 03	Clay: 04
330005840-**-	Line Post		\$133.16ea.	\$146.47ea.	\$173.10ea.
330006840-**-	End Post		\$133.16ea.	\$146.47ea.	\$173.10ea.
330007840-**-	Corner Post		\$133.16ea.	\$146.47ea.	\$173.10ea.
330009840-**-	3-Way Post		\$128.30ea.	\$141.13ea.	\$166.80ea.
330008840-**-	Blank Post		\$133.16ea.	\$146.47ea.	\$173.10ea.
910010500-**-	5" Flat Cap	160	\$4.86ea.	\$5.35ea.	\$6.32ea.
910012500-**-	5" New England Cap	60	\$16.33ea.	\$17.96ea.	\$21.23ea.

Part No.	Gates (Hardware not included)	Qty.	White: 01	Almond: 03	Clay: 04
331003840-**-	36" Wide Gate (Unassembled)		\$509.54ea.	\$560.50ea.	\$662.41ea.
331003840-**-	48" Wide Gate (Unassembled)		\$563.07ea.	\$619.37ea.	\$731.99ea.
331003840-**-	60" Wide Gate (Unassembled)		\$616.53ea.	\$678.18ea.	\$801.49ea.
331003840-**-	72" Wide Gate (Unassembled)		\$678.18ea.	\$745.99ea.	\$881.63ea.

Part No.	Gate Hardware	Qty.	White: 01	Black: 07
933100000-**-	Commercial Hinge	10	n/a	\$119.82set
933110200-**-	Commercial 2-Way Latch	12	n/a	\$51.79ea.
933120000-**-	Commercial Drop Pin Kit	10	n/a	\$111.56ea.
933130000-**-	Commercial Spring	10	n/a	\$91.20ea.
930302220-**-	Heavy Duty Multi-Adjust Hinge (TCHDMA1)	10	\$199.73set	\$199.73set
930312210-**-	Lockable Latch w/Easy Access Kit (LLAAB)	20	n/a	\$122.78ea.
930351243-**-	24" Lockable Drop Pin (LB224BX-KSA)	10	n/a	\$223.30ea.
958050962	5" x 96" Aluminum Post Insert (For .250 Wall Posts)	16	\$198.63ea.	

96"H 2" x 6½" BOSTON



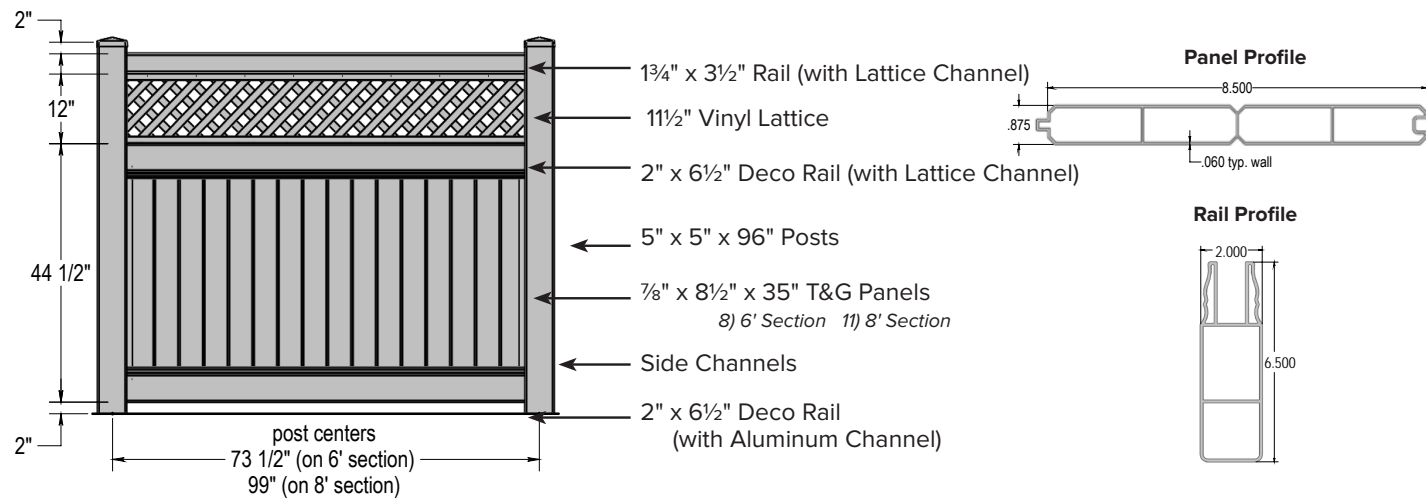
Part No.	96" H 2" X 6 1/2" Deco Rail Boston	Qty.	White: 01	Almond: 03	Clay: 04
331000960-**-	Special Length Section		\$66.60ft	\$73.26ft	\$86.58ft
331000966-**-	6' Section		\$347.45ea.	\$382.20ea.	\$451.69ea.

Part No.	Posts & Caps	Qty.	White: 01	Almond: 03	Clay: 04
330005960-**-	Line Post		\$146.48ea.	\$161.13ea.	\$190.43ea.
330006960-**-	End Post		\$146.48ea.	\$161.13ea.	\$190.43ea.
330007960-**-	Corner Post		\$146.48ea.	\$161.13ea.	\$190.43ea.
330009960-**-	3-Way Post		\$141.16ea.	\$155.27ea.	\$183.50ea.
330008960-**-	Blank Post		\$146.48ea.	\$161.13ea.	\$190.43ea.
910010500-**-	5" Flat Cap	160	\$4.86ea.	\$5.35ea.	\$6.32ea.
910012500-**-	5" New England Cap	60	\$16.33ea.	\$17.96ea.	\$21.23ea.

Part No.	Gates (Hardware not included)	Qty.	White: 01	Almond: 03	Clay: 04
331003960-**-	36" Wide Gate (Unassembled)		\$571.97ea.	\$629.16ea.	\$743.56ea.
331003960-**-	48" Wide Gate (Unassembled)		\$627.76ea.	\$690.53ea.	\$816.09ea.
331003960-**-	60" Wide Gate (Unassembled)		\$690.52ea.	\$759.57ea.	\$897.67ea.
331003960-**-	72" Wide Gate (Unassembled)		\$759.58ea.	\$835.54ea.	\$987.46ea.

Part No.	Gate Hardware	Qty.	White: 01	Black: 07
933100000-**-	Commercial Hinge	10	n/a	\$119.82set
933110200-**-	Commercial 2-Way Latch	12	n/a	\$51.79ea.
933120000-**-	Commercial Drop Pin Kit	10	n/a	\$111.56ea.
933130000-**-	Commercial Spring	10	n/a	\$91.20ea.
930302220-**-	Heavy Duty Multi-Adjust Hinge (TCHDMA1)	10	\$199.73set	\$199.73set
930312210-**-	Lockable Latch w/Easy Access Kit (LLAAB)	20	n/a	\$122.78ea.
930351243-**-	24" Lockable Drop Pin (LB224BX-KSA)	10	n/a	\$223.30ea.
958050962	5" x 96" Aluminum Post Insert (For .250 Wall Posts)	16	\$198.63ea.	

60"H 2" x 6½" BOSTON w/LATTICE



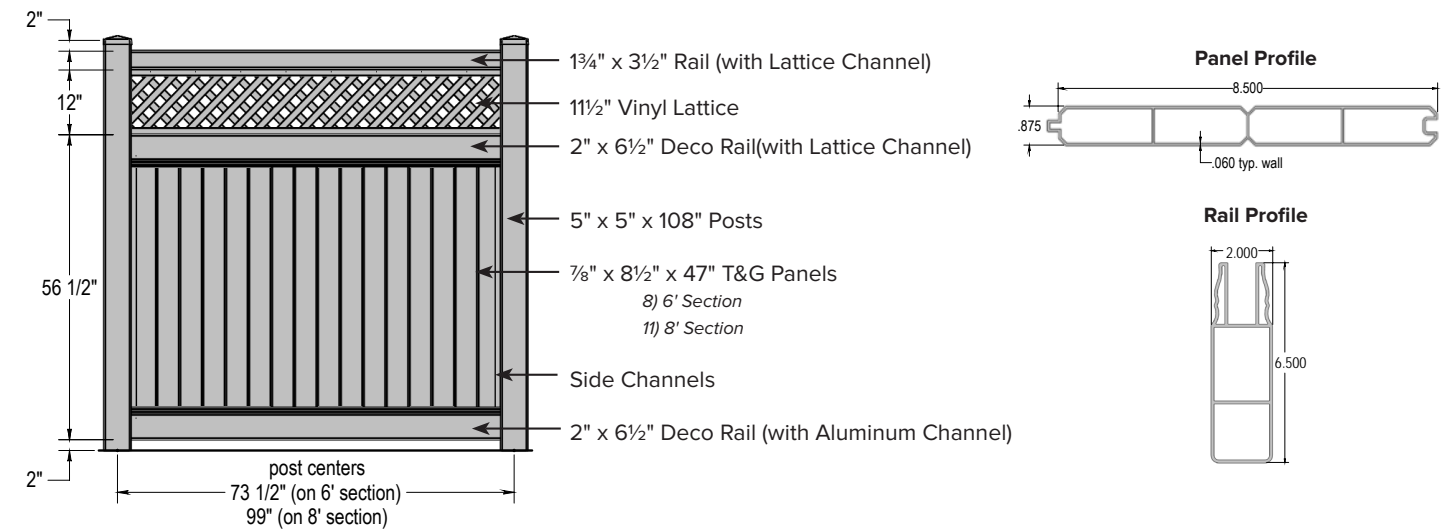
Part No.	60" H 2" X 6 1/2" Deco Rail Boston w/Lattice	Qty.	White: 01	Almond: 03	Clay: 04
331020600-**-	Special Length Section		\$58.64ft	\$64.50ft	\$76.23ft
331020606-**-	6' Section		\$305.87ea.	\$336.45ea.	\$397.62ea.
331020608-**-	8' Section		\$407.83ea.	\$448.61ea.	\$530.17ea.

Part No.	Posts & Caps	Qty.	White: 01	Almond: 03	Clay: 04
330025600-**-	Line Post		\$61.56ea.	\$67.72ea.	\$80.03ea.
330026600-**-	End Post		\$61.56ea.	\$67.72ea.	\$80.03ea.
330027600-**-	Corner Post		\$61.56ea.	\$67.72ea.	\$80.03ea.
330029600-**-	3-Way Post		\$59.33ea.	\$65.26ea.	\$77.13ea.
330028600-**-	Blank Post		\$61.56ea.	\$67.72ea.	\$80.03ea.
910010500-**-	5" Flat Cap	160	\$4.86ea.	\$5.35ea.	\$6.32ea.
910012500-**-	5" New England Cap	60	\$16.33ea.	\$17.96ea.	\$21.23ea.

Part No.	Gates (Hardware not included)	Qty.	White: 01	Almond: 03	Clay: 04
331023600-**-	36" Wide Gate (Unassembled)		\$425.95ea.	\$468.55ea.	\$553.74ea.
331023600-**-	48" Wide Gate (Unassembled)		\$468.57ea.	\$515.42ea.	\$609.14ea.
331023600-**-	60" Wide Gate (Unassembled)		\$515.41ea.	\$566.95ea.	\$670.04ea.
331023600-**-	72" Wide Gate (Unassembled)		\$566.96ea.	\$623.65ea.	\$737.04ea.

Part No.	Gate Hardware	Qty.	White: 01	Black: 07
933100000-**-	Commercial Hinge	10	n/a	\$119.82set
933110200-**-	Commercial 2-Way Latch	12	n/a	\$51.79ea.
933120000-**-	Commercial Drop Pin Kit	10	n/a	\$111.56ea.
930302220-**-	Heavy Duty Multi-Adjust Hinge (TCHDMA1)	10	\$199.73ea.	\$199.73ea.
930312210-**-	Lockable Latch w/Easy Access Kit (LLAAB)	20	n/a	\$122.78set
930343120-**-	10" Vertical Pull MagnaLatch (ML3VPKA)	10	n/a	\$188.54ea.
930351243-**-	24" Lockable Drop Pin (LB224BX-KSA)	10	n/a	\$223.30ea.
958050960	5" x 96" Aluminum Post Insert	16	\$180.20ea.	

72"H 2" x 6½" BOSTON w/LATTICE



Part No.	72" H 2" X 6 1/2" Deco Rail Boston w/Lattice	Qty.	White: 01	Almond: 03	Clay: 04
331020720-**-	Special Length Section		\$68.98ft	\$75.87ft	\$89.67ft
331020726-**-	6' Section		\$359.87ea.	\$395.86ea.	\$467.84ea.
331020728-**-	8' Section		\$479.82ea.	\$527.80ea.	\$623.76ea.

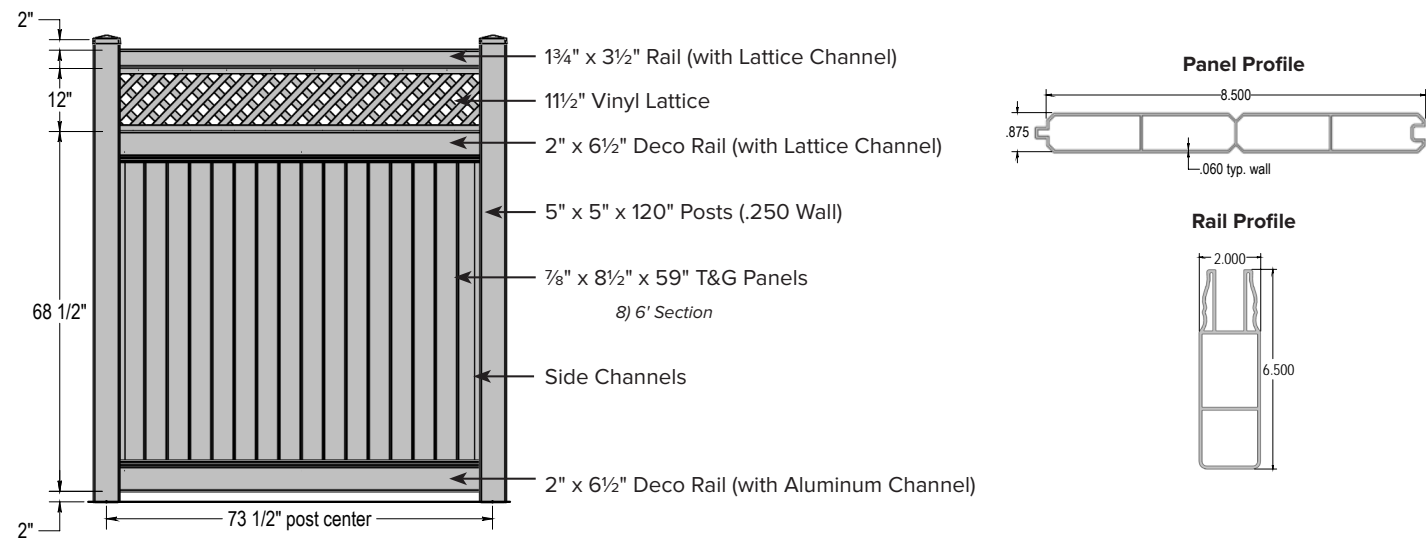
Part No.	Posts & Caps	Qty.	White: 01	Almond: 03	Clay: 04
330025720-**-	Line Post		\$69.27ea.	\$76.20ea.	\$90.05ea.
330026720-**-	End Post		\$69.27ea.	\$76.20ea.	\$90.05ea.
330027720-**-	Corner Post		\$69.27ea.	\$76.20ea.	\$90.05ea.
330029720-**-	3-Way Post		\$66.75ea.	\$73.43ea.	\$86.78ea.
330028720-**-	Blank Post		\$69.27ea.	\$76.20ea.	\$90.05ea.
910010500-**-	5" Flat Cap	160	\$4.86ea.	\$5.35ea.	\$6.32ea.
910012500-**-	5" New England Cap	60	\$16.33ea.	\$17.96ea.	\$21.23ea.

Part No.	Gates (Hardware not included)	Qty.	White: 01	Almond: 03	Clay: 04
331023720-**-	36" Wide Gate (Unassembled)		\$448.41ea.	\$493.25ea.	\$582.93ea.
331023720-**-	48" Wide Gate (Unassembled)		\$493.24ea.	\$542.56ea.	\$641.21ea.
331023720-**-	60" Wide Gate (Unassembled)		\$542.56ea.	\$596.81ea.	\$705.32ea.
331023720-**-	72" Wide Gate (Unassembled)		\$596.83ea.	\$656.51ea.	\$775.87ea.

Part No.	Gate Hardware	Qty.	White: 01	Black: 07
933100000-**-	Commercial Hinge	10	n/a	\$119.82set
933110200-**-	Commercial 2-Way Latch	12	n/a	\$51.79ea.
933120000-**-	Commercial Drop Pin Kit	10	n/a	\$111.56ea.
933130000-**-	Commercial Spring	10	n/a	\$91.20ea.
930302220-**-	Heavy Duty Multi-Adjust Hinge (TCHDMA1)	10	\$199.73set	\$199.73set
930312210-**-	Lockable Latch w/Easy Access Kit (LLAAB)	20	n/a	\$122.78ea.
930351243-**-	24" Lockable Drop Pin (LB224BX-KSA)	10	n/a	\$223.30ea.
958050960	5" x 96" Aluminum Post Insert	16	\$180.20ea.	



84"H 2" x 6½" BOSTON w/LATTICE



Part No.	84" H 2" X 6 1/2" Deco Rail Boston w/Lattice	Qty.	White: 01	Almond: 03	Clay: 04
331020840-**-	Special Length Section		\$86.21ft	\$94.83ft	\$112.07ft
331020846-**-	6' Section		\$449.83ea.	\$494.81ea.	\$584.78ea.

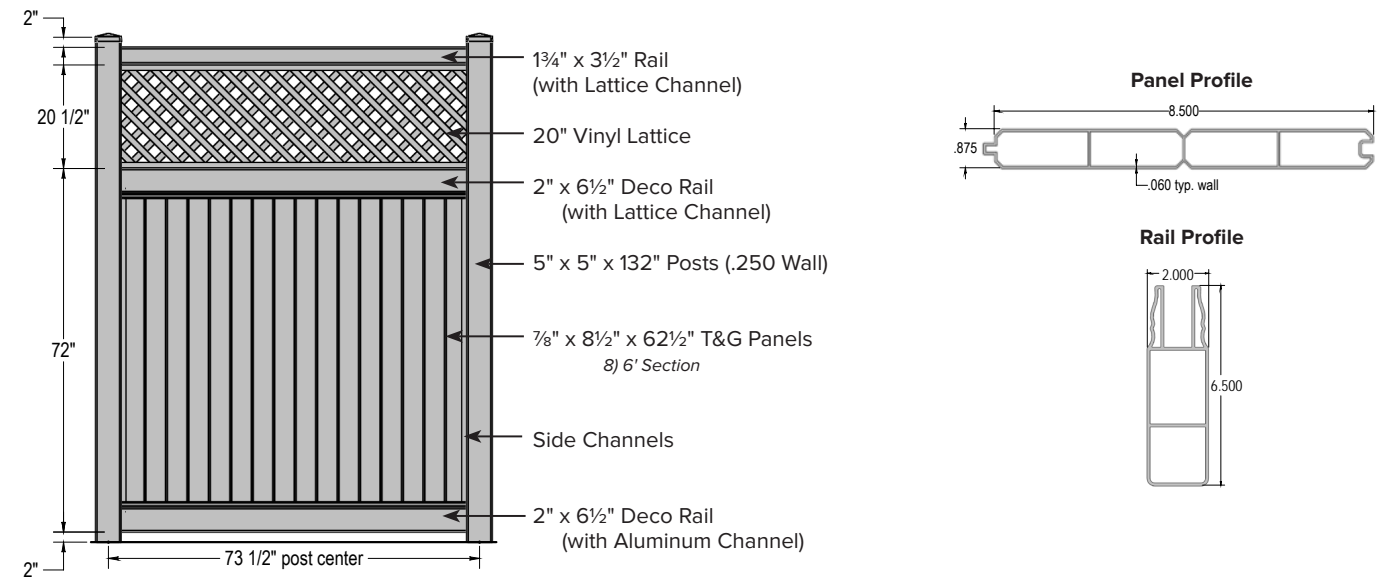
Part No.	Posts & Caps	Qty.	White: 01	Almond: 03	Clay: 04
330025840-**-	Line Post		\$133.16ea.	\$146.47ea.	\$173.10ea.
330026840-**-	End Post		\$133.16ea.	\$146.47ea.	\$173.10ea.
330027840-**-	Corner Post		\$133.16ea.	\$146.47ea.	\$173.10ea.
330029840-**-	3-Way Post		\$128.30ea.	\$141.13ea.	\$166.80ea.
330028840-**-	Blank Post		\$133.16ea.	\$146.47ea.	\$173.10ea.
910010500-**-	5" Flat Cap	160	\$4.86ea.	\$5.35ea.	\$6.32ea.
910012500-**-	5" New England Cap	60	\$16.33ea.	\$17.96ea.	\$21.23ea.

Part No.	Gates (Hardware not included)	Qty.	White: 01	Almond: 03	Clay: 04
331023840-**-	36" Wide Gate (Unassembled)		\$560.48ea.	\$616.52ea.	\$728.62ea.
331023840-**-	48" Wide Gate (Unassembled)		\$616.56ea.	\$678.22ea.	\$801.53ea.
331023840-**-	60" Wide Gate (Unassembled)		\$678.18ea.	\$745.99ea.	\$881.63ea.
331023840-**-	72" Wide Gate (Unassembled)		\$745.99ea.	\$820.59ea.	\$969.79ea.

Part No.	Gate Hardware	Qty.	White: 01	Black: 07
933100000-**-	Commercial Hinge	10	n/a	\$119.82set
933110200-**-	Commercial 2-Way Latch	12	n/a	\$51.79ea.
933120000-**-	Commercial Drop Pin Kit	10	n/a	\$111.56ea.
933130000-**-	Commercial Spring	10	n/a	\$91.20ea.
930302220-**-	Heavy Duty Multi-Adjust Hinge (TCHDMA1)	10	\$199.73set	\$199.73set
930312210-**-	Lockable Latch w/Easy Access Kit (LLAAB)	20	n/a	\$122.78ea.
930351243-**-	24" Lockable Drop Pin (LB224BX-KSA)	10	n/a	\$223.30ea.
958050960	5" x 96" Aluminum Post Insert (For .250 Wall Posts)	16	\$180.20ea.	



96"H 2" x 6½" BOSTON w/LATTICE



Part No.	96" H 2" X 6 1/2" Deco Rail Boston w/Lattice	Qty.	White: 01	Almond: 03	Clay: 04
331020960-**-	Special Length Section		\$96.58ft	\$106.24ft	\$125.55ft
331020966-**-	6' Section		\$503.81ea.	\$554.19ea.	\$654.95ea.

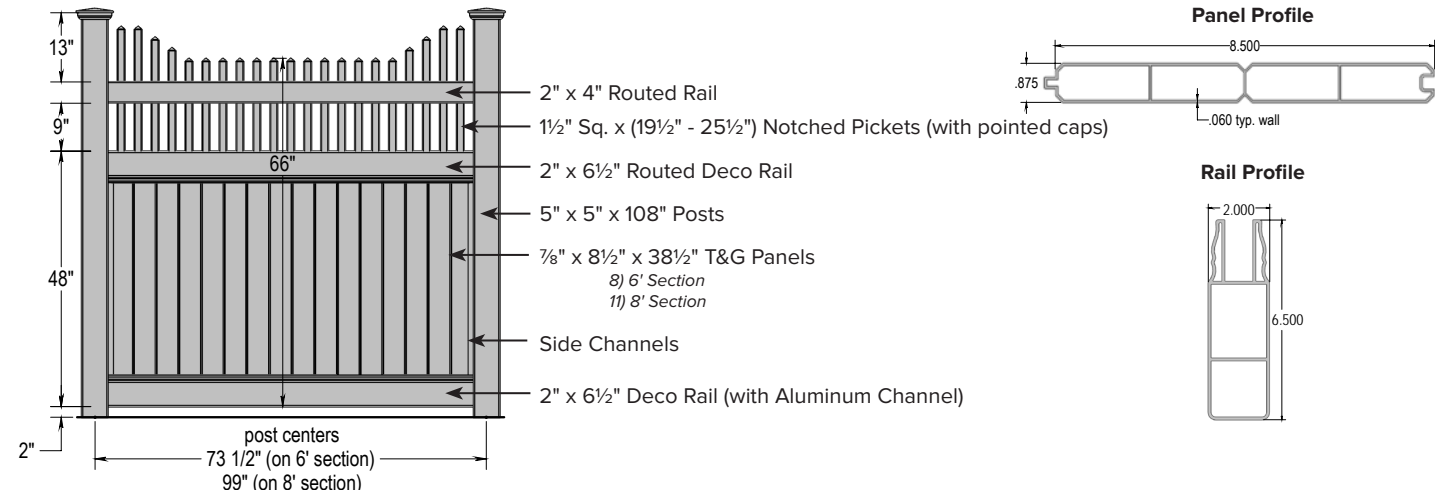
Part No.	Posts & Caps	Qty.	White: 01	Almond: 03	Clay: 04
330025960-**-	Line Post		\$146.48ea.	\$161.13ea.	\$190.43ea.
330026960-**-	End Post		\$146.48ea.	\$161.13ea.	\$190.43ea.
330027960-**-	Corner Post		\$146.48ea.	\$161.13ea.	\$190.43ea.
330029960-**-	3-Way Post		\$141.16ea.	\$155.27ea.	\$183.50ea.
330028960-**-	Blank Post		\$146.48ea.	\$161.13ea.	\$190.43ea.
910010500-**-	5" Flat Cap	160	\$4.86ea.	\$5.35ea.	\$6.32ea.
910012500-**-	5" New England Cap	60	\$16.33ea.	\$17.96ea.	\$21.23ea.

Part No.	Gates (Hardware not included)	Qty.	White: 01	Almond: 03	Clay: 04
331023960-**-	36" Wide Gate (Unassembled)		\$627.76ea.	\$690.53ea.	\$816.09ea.
331023960-**-	48" Wide Gate (Unassembled)		\$690.52ea.	\$759.57ea.	\$897.67ea.
331023960-**-	60" Wide Gate (Unassembled)		\$759.58ea.	\$835.54ea.	\$987.46ea.
331023960-**-	72" Wide Gate (Unassembled)		\$835.52ea.	\$919.07ea.	\$1086.17ea.

Part No.	Gate Hardware	Qty.	White: 01	Black: 07
933100000-**-	Commercial Hinge	10	n/a	\$119.82set
933110200-**-	Commercial 2-Way Latch	12	n/a	\$51.79ea.
933120000-**-	Commercial Drop Pin Kit	10	n/a	\$111.56ea.
933130000-**-	Commercial Spring	10	n/a	\$91.20ea.
930302220-**-	Heavy Duty Multi-Adjust Hinge (TCHDMA1)	10	\$199.73set	\$199.73set
930312210-**-	Lockable Latch w/Easy Access Kit (LLAAB)	20	n/a	\$122.78ea.
930351243-**-	24" Lockable Drop Pin (LB224BX-KSA)	10	n/a	\$223.30ea.
958050962	5" x 96" Aluminum Post Insert (For .250 Wall Posts)	16	\$198.63ea.	



66"H 2" x 6 1/2" BOSTON w/NEW ENGLAND



Part No.	66" H 2" X 6 1/2" Deco Rail Boston w/New England	Qty.	White: 01	Almond: 03	Clay: 04
331050660-**-	Special Length Section		\$68.98ft	\$75.87ft	\$89.67ft
331050666-**-	6' Section		\$359.87ea.	\$395.86ea.	\$467.84ea.
331050668-**-	8' Section		\$479.82ea.	\$527.80ea.	\$623.76ea.

Part No.	Posts & Caps	Qty.	White: 01	Almond: 03	Clay: 04
330055660-**-	Line Post		\$69.27ea.	\$76.20ea.	\$90.05ea.
330056660-**-	End Post		\$69.27ea.	\$76.20ea.	\$90.05ea.
330057660-**-	Corner Post		\$69.27ea.	\$76.20ea.	\$90.05ea.
330059660-**-	3-Way Post		\$66.75ea.	\$73.43ea.	\$86.78ea.
330058660-**-	Blank Post		\$69.27ea.	\$76.20ea.	\$90.05ea.
910012500-**-	5" New England Cap	60	\$16.33ea.	\$17.96ea.	\$21.23ea.
910010500-**-	5" Flat Cap	160	\$4.86ea.	\$5.35ea.	\$6.32ea.

Part No.	Gates (Hardware not included)	Qty.	White: 01	Almond: 03	Clay: 04
331053660-**-	36" Wide Gate (Unassembled)		\$448.41ea.	\$493.25ea.	\$582.93ea.
331053660-**-	48" Wide Gate (Unassembled)		\$493.24ea.	\$542.56ea.	\$641.21ea.
331053660-**-	60" Wide Gate (Unassembled)		\$542.56ea.	\$596.81ea.	\$705.32ea.
331053660-**-	72" Wide Gate (Unassembled)		\$596.83ea.	\$656.51ea.	\$775.87ea.

Part No.	Gate Hardware	Qty.	White: 01	Black: 07
933100000-**-	Commercial Hinge	10	n/a	\$119.82set
933110200-**-	Commercial 2-Way Latch	12	n/a	\$51.79ea.
933120000-**-	Commercial Drop Pin Kit	10	n/a	\$111.56ea.
933130000-**-	Commercial Spring	10	n/a	\$91.20ea.
930302220-**-	Heavy Duty Multi-Adjust Hinge (TCHDMA1)	10	\$199.73set	\$199.73set
930312210-**-	Lockable Latch w/Easy Access Kit (LLAAB)	20	n/a	\$122.78ea.
930351243-**-	24" Lockable Drop Pin (LB224BX-KSA)	10	n/a	\$223.30ea.
958050960	5" x 96" Aluminum Post Insert	16	\$180.20ea.	

PRIVACY

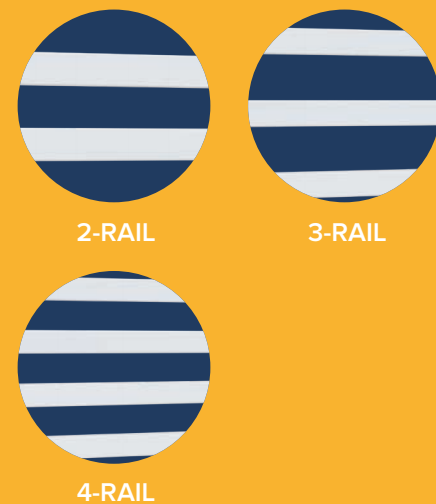
POST & RAIL FENCE

Rustic post and rail fence gives your property the look and feel of a ranch or farm. Superior's post and rail fence is built to hold up to the elements and free your time for other pursuits.

COLORS



POST & RAIL FENCE STYLES

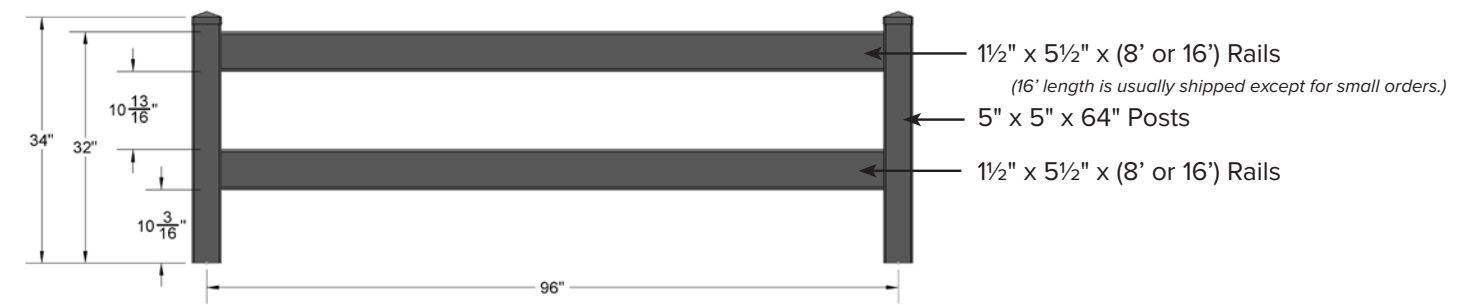


Important Notifications:
Qty. indicates Box or Skid quantities. The ** in Part Number represents the color codes. Fencing sections do not include posts or caps.

Terms: Net 30 days to approved accounts. Otherwise: Cash, check or money order. Prices F.O.B. New Holland, PA / Prices subject to change without notice.



2-RAIL POST & RAIL FENCE (1½" X 5½")



Part No.	2-Rail Fence (1 1/2" x 5 1/2")	Qty.	White: 01	Almond: 03	Clay: 04	Black: 07
341020108-**	8' Section		\$72.21ea.	\$79.43ea.	n/a	n/a
341024000-**	Extra Post w/Flat Cap		\$40.35ea.	\$44.38ea.	\$52.45ea.	\$58.50ea.

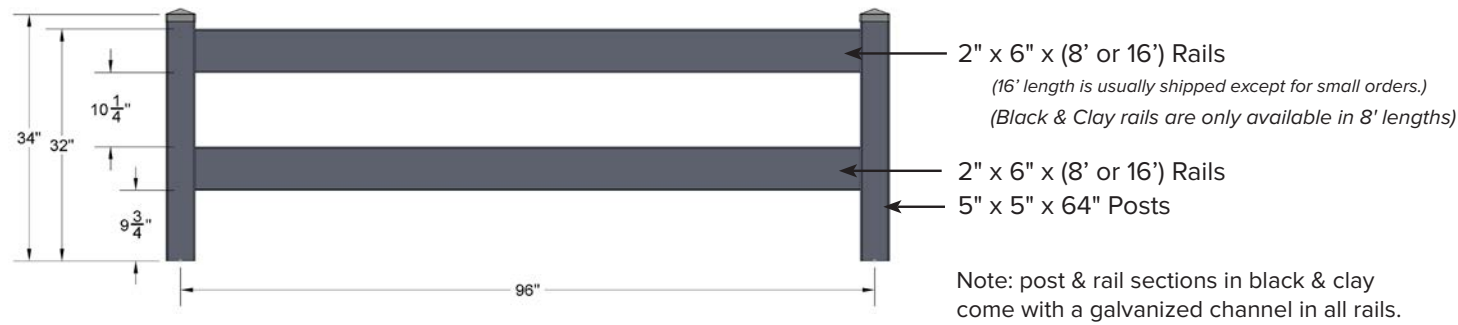
Sections include one Post and one Flat Cap.

Part No.	Posts	Qty.	White: 01	Almond: 03	Clay: 04	Black: 07
341025100-**	Line Post		\$40.35ea.	\$44.38ea.	n/a	n/a
341026100-**	End Post		\$40.35ea.	\$44.38ea.	n/a	n/a
341027100-**	Corner Post		\$40.35ea.	\$44.38ea.	n/a	n/a
341029100-**	3-Way Post		\$40.35ea.	\$44.38ea.	n/a	n/a
341028100-**	Blank Post		\$40.35ea.	\$44.38ea.	n/a	n/a
341026101-**	Slant Down End Post		\$40.35ea.	\$44.38ea.	n/a	n/a

Part No.	Gates (Hardware not included)	Qty.	White: 01	Almond: 03	Clay: 04	Black: 07
341023100-**	48" Wide Gate (Unassembled)		\$245.69ea.	\$270.26ea.	n/a	n/a
341023100-**	72" Wide Gate (Unassembled)		\$294.83ea.	\$324.31ea.	n/a	n/a
341023100-**	96" Wide Gate (Unassembled)		\$353.81ea.	\$389.19ea.	n/a	n/a
341023100-**	120" Wide Gate (Unassembled)		\$424.58ea.	\$467.04ea.	n/a	n/a

Part No.	Gate Hardware	Qty.	White: 01	Black: 07
933100000-**	Commercial Hinge	10	n/a	\$119.82set
933110200-**	Commercial 2-Way Latch	12	n/a	\$51.79ea.
933120000-**	Commercial Drop Pin Kit	10	n/a	\$111.56ea.
930302220-**	Heavy Duty Multi-Adjust Hinge (TCHDMA1)	10	\$199.73ea.	\$199.73ea.
930312010-**	Lockable Latch S2 (LLAA)	20	\$74.23set	\$74.23set
930343120-**	10" Vertical Pull MagnaLatch (ML3VPKA)	10	n/a	\$188.54ea.
930351243-**	24" Lockable Drop Pin (LB224BX-KSA)	10	n/a	\$223.30ea.
958050780-**	5" x 78" Aluminum Post Insert	16	\$146.39ea.	

2-RAIL POST & RAIL FENCE (2" X 6")



Part No.	2-Rail Fence (2" x 6")	Qty.	White: 01	Almond: 03	Clay: 04	Black: 07
341020208-**-	8' Section		\$91.40ea.	\$100.54ea.	\$118.83ea.	\$132.54ea.
341024000-**-	Extra Post w/Flat Cap		\$40.35ea.	\$44.38ea.	\$52.45ea.	\$58.50ea.

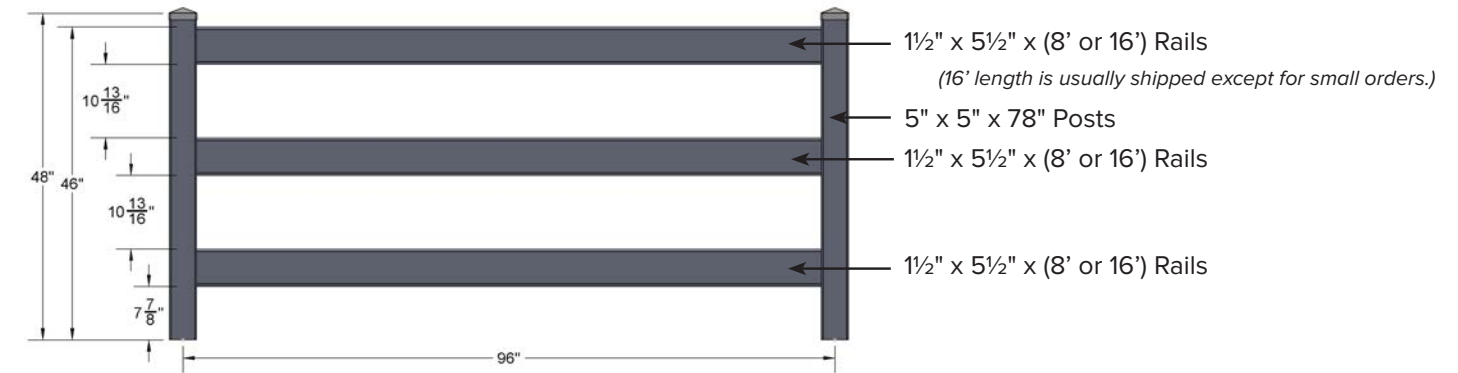
Sections include one Post and one Flat Cap.

Part No.	Posts	Qty.	White: 01	Almond: 03	Clay: 04	Black: 07
341025200-**-	Line Post		\$40.35ea.	\$44.38ea.	\$52.45ea.	\$58.50ea.
341026200-**-	End Post		\$40.35ea.	\$44.38ea.	\$52.45ea.	\$58.50ea.
341027200-**-	Corner Post		\$40.35ea.	\$44.38ea.	\$52.45ea.	\$58.50ea.
341029200-**-	3-Way Post		\$40.35ea.	\$44.38ea.	\$52.45ea.	n/a
341028200-**-	Blank Post		\$40.35ea.	\$44.38ea.	\$52.45ea.	\$58.50ea.
341026201-**-	Slant Down End Post		\$40.35ea.	\$44.38ea.	\$52.45ea.	\$58.50ea.

Part No.	Gates (Hardware not included)	Qty.	White: 01	Almond: 03	Clay: 04	Black: 07
341023200-**-	48" Wide Gate (Unassembled)		\$257.99ea.	\$283.79ea.	\$335.39ea.	\$374.09ea.
341023200-**-	72" Wide Gate (Unassembled)		\$309.58ea.	\$340.54ea.	\$402.46ea.	\$448.89ea.
341023200-**-	96" Wide Gate (Unassembled)		\$371.49ea.	\$408.64ea.	\$482.94ea.	\$538.66ea.
341023200-**-	120" Wide Gate (Unassembled)		\$445.80ea.	\$490.38ea.	\$579.54ea.	\$646.41ea.

Part No.	Gate Hardware	Qty.	White: 01	Black: 07
933100000-**-	Commercial Hinge	10	n/a	\$119.82set
933110200-**-	Commercial 2-Way Latch	12	n/a	\$51.79ea.
933120000-**-	Commercial Drop Pin Kit	10	n/a	\$111.56ea.
930302220-**-	Heavy Duty Multi-Adjust Hinge (TCHDMA1)	10	\$199.73ea.	\$199.73ea.
930312010-**-	Lockable Latch S2 (LLAA)	20	\$74.23set	\$74.23set
930343120-**-	10" Vertical Pull MagnaLatch (ML3VPKA)	10	n/a	\$188.54ea.
930351243-**-	24" Lockable Drop Pin (LB224BX-KSA)	10	n/a	\$223.30ea.
958050780-**-	5" x 78" Aluminum Post Insert	16	\$146.39ea.	

3-RAIL POST & RAIL FENCE (1 1/2" X 5 1/2")



Part No.	3-Rail Fence (1 1/2" x 5 1/2")	Qty.	White: 01	Almond: 03	Clay: 04	Black: 07
341030108-**-	8' Section		\$104.00ea.	\$114.39ea.	n/a	n/a
341034000-**-	Extra Post w/Flat Cap		\$47.65ea.	\$52.41ea.	\$61.94ea.	\$69.09ea.

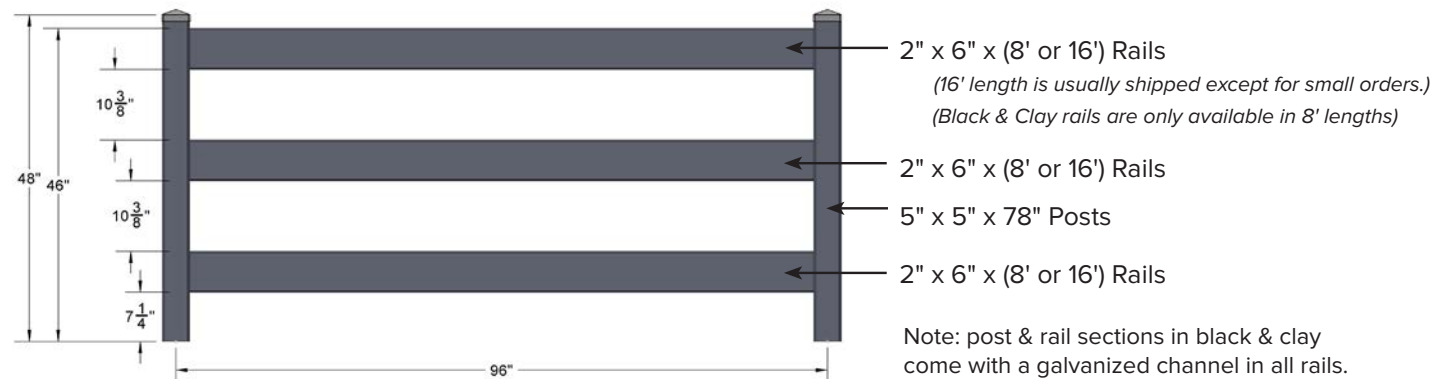
Sections include one Post and one Flat Cap.

Part No.	Posts	Qty.	White: 01	Almond: 03	Clay: 04	Black: 07
341035100-**-	Line Post		\$47.65ea.	\$52.41ea.	n/a	n/a
341036100-**-	End Post		\$47.65ea.	\$52.41ea.	n/a	n/a
341037100-**-	Corner Post		\$47.65ea.	\$52.41ea.	n/a	n/a
341039100-**-	3-Way Post		\$47.65ea.	\$52.41ea.	n/a	n/a
341038100-**-	Blank Post		\$47.65ea.	\$52.41ea.	n/a	n/a
341036101-**-	Slant Down End Post		\$47.65ea.	\$52.41ea.	n/a	n/a

Part No.	Gates (Hardware not included)	Qty.	White: 01	Almond: 03	Clay: 04	Black: 07
341033100-**-	48" Wide Gate (Unassembled)		\$304.02ea.	\$334.42ea.	n/a	n/a
341033100-**-	72" Wide Gate (Unassembled)		\$364.82ea.	\$401.31ea.	n/a	n/a
341033100-**-	96" Wide Gate (Unassembled)		\$437.79ea.	\$481.57ea.	n/a	n/a
341033100-**-	120" Wide Gate (Unassembled)		\$525.34ea.	\$577.87ea.	n/a	n/a

Part No.	Gate Hardware	Qty.	White: 01	Black: 07
933100000-**-	Commercial Hinge	10	n/a	\$119.82set
933110200-**-	Commercial 2-Way Latch	12	n/a	\$51.79ea.
933120000-**-	Commercial Drop Pin Kit	10	n/a	\$111.56ea.
930302220-**-	Heavy Duty Multi-Adjust Hinge (TCHDMA1)	10	\$199.73ea.	\$199.73ea.
930312010-**-	Lockable Latch S2 (LLAA)	20	\$74.23set	\$74.23set
930343120-**-	10" Vertical Pull MagnaLatch (ML3VPKA)	10	n/a	\$188.54ea.
930351243-**-	24" Lockable Drop Pin (LB224BX-KSA)	10	n/a	\$223.30ea.
958050780-**-	5" x 78" Aluminum Post Insert	16	\$146.39ea.	

3-RAIL POST & RAIL FENCE (2" X 6")



Part No.	3-Rail Fence (2" x 6")	Qty.	White: 01	Almond: 03	Clay: 04	Black: 07
341030208-**	8' Section		\$127.14ea.	\$139.86ea.	\$165.29ea.	\$184.36ea.
341034000-**	Extra Post w/Flat Cap		\$47.65ea.	\$52.41ea.	\$61.94ea.	\$69.09ea.

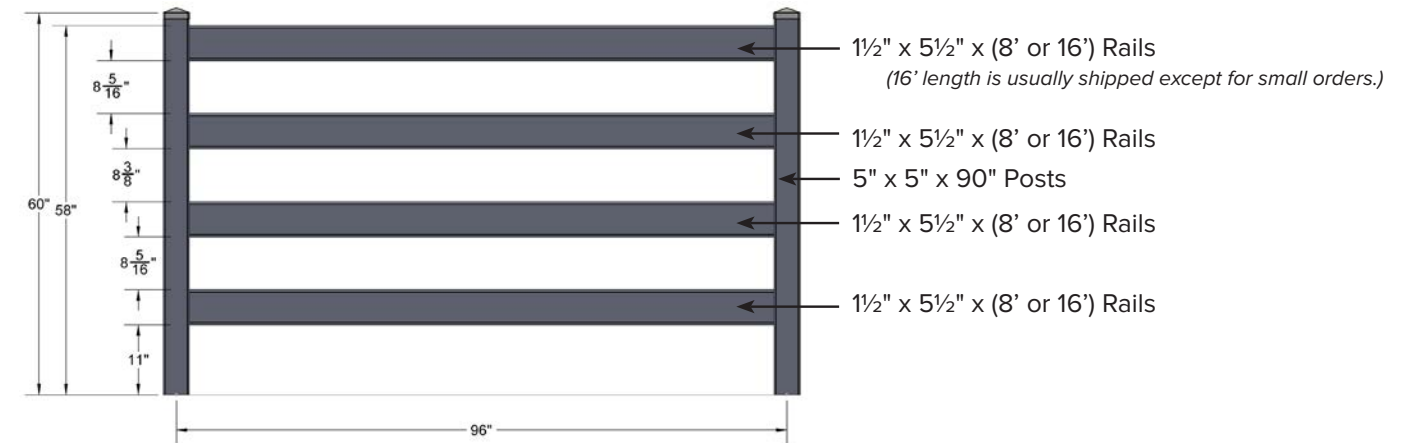
Sections include one Post and one Flat Cap.

Part No.	Posts	Qty.	White: 01	Almond: 03	Clay: 04	Black: 07
341035200-**	Line Post		\$47.65ea.	\$52.41ea.	\$61.94ea.	\$69.09ea.
341036200-**	End Post		\$47.65ea.	\$52.41ea.	\$61.94ea.	\$69.09ea.
341037200-**	Corner Post		\$47.65ea.	\$52.41ea.	\$61.94ea.	\$69.09ea.
341039200-**	3-Way Post		\$47.65ea.	\$52.41ea.	\$61.94ea.	\$69.09ea.
341038200-**	Blank Post		\$47.65ea.	\$52.41ea.	\$61.94ea.	\$69.09ea.
341036201-**	Slant Down End Post		\$47.65ea.	\$52.41ea.	\$61.94ea.	\$69.09ea.

Part No.	Gates (Hardware not included)	Qty.	White: 01	Almond: 03	Clay: 04	Black: 07
341033200-**	48" Wide Gate (Unassembled)		\$319.27ea.	\$351.19ea.	\$415.05ea.	\$462.94ea.
341033200-**	72" Wide Gate (Unassembled)		\$383.11ea.	\$421.42ea.	\$498.05ea.	\$555.51ea.
341033200-**	96" Wide Gate (Unassembled)		\$459.73ea.	\$505.70ea.	\$597.65ea.	\$666.61ea.
341033200-**	120" Wide Gate (Unassembled)		\$551.68ea.	\$606.85ea.	\$717.19ea.	\$799.94ea.

Part No.	Gate Hardware	Qty.	White: 01	Black: 07
933100000-**	Commercial Hinge	10	n/a	\$119.82set
933110200-**	Commercial 2-Way Latch	12	n/a	\$51.79ea.
933120000-**	Commercial Drop Pin Kit	10	n/a	\$111.56ea.
930302220-**	Heavy Duty Multi-Adjust Hinge (TCHDMA1)	10	\$199.73ea.	\$199.73ea.
930312010-**	Lockable Latch S2 (LLAA)	20	\$74.23set	\$74.23set
930343120-**	10" Vertical Pull MagnaLatch (ML3VPKA)	10	n/a	\$188.54ea.
930351243-**	24" Lockable Drop Pin (LB224BX-KSA)	10	n/a	\$223.30ea.
958050780-**	5" x 78" Aluminum Post Insert	16	\$146.39ea.	

4-RAIL POST & RAIL FENCE (1 1/2" X 5 1/2")



Part No.	4-Rail Fence (1 1/2" x 5 1/2")	Qty.	White: 01	Almond: 03	Clay: 04	Black: 07
341040108-**	8' Section		\$134.86ea.	\$148.34ea.	n/a	n/a
341044000-**	Extra Post w/Flat Cap		\$54.98ea.	\$60.48ea.	\$71.48ea.	\$79.72ea.

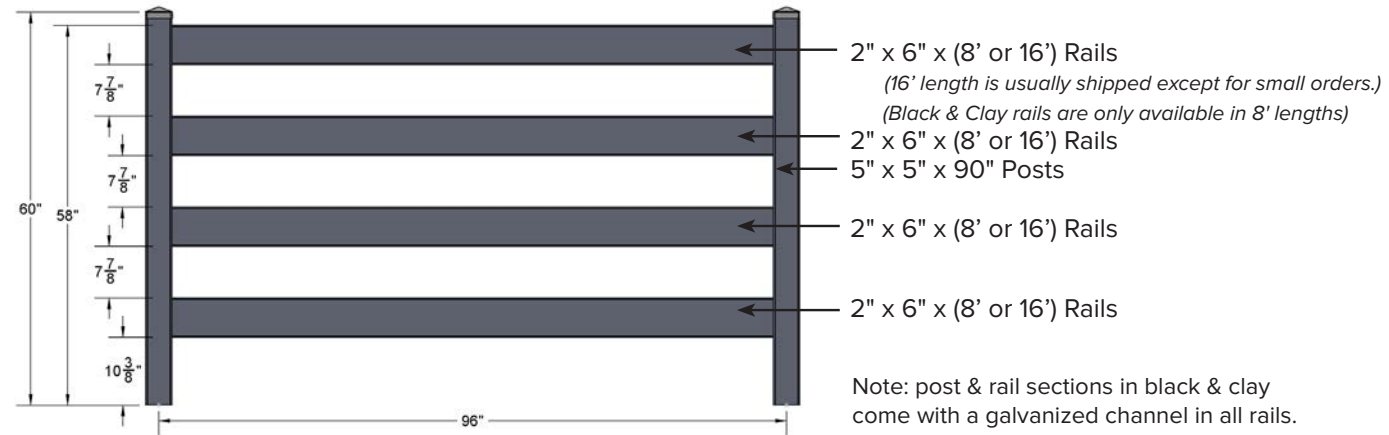
Sections include one Post and one Flat Cap.

Part No.	Posts	Qty.	White: 01	Almond: 03	Clay: 04	Black: 07
341045100-**	Line Post		\$54.98ea.	\$60.48ea.	n/a	n/a
341046100-**	End Post		\$54.98ea.	\$60.48ea.	n/a	n/a
341047100-**	Corner Post		\$54.98ea.	\$60.48ea.	n/a	n/a
341049100-**	3-Way Post		\$54.98ea.	\$60.48ea.	n/a	n/a
341048100-**	Blank Post		\$54.98ea.	\$60.48ea.	n/a	n/a
341046101-**	Slant Down End Post		\$54.98ea.	\$60.48ea.	n/a	n/a

Part No.	Gates (Hardware not included)	Qty.	White: 01	Almond: 03	Clay: 04	Black: 07
341043100-**	48" Wide Gate (Unassembled)		\$430.52ea.	\$473.57ea.	n/a	n/a
341043100-**	72" Wide Gate (Unassembled)		\$516.61ea.	\$568.27ea.	n/a	n/a
341043100-**	96" Wide Gate (Unassembled)		\$619.95ea.	\$681.94ea.	n/a	n/a
341043100-**	120" Wide Gate (Unassembled)		\$743.92ea.	\$818.31ea.	n/a	n/a

Part No.	Gate Hardware	Qty.	White: 01	Black: 07
933100000-**	Commercial Hinge	10	n/a	\$119.82set
933110200-**	Commercial 2-Way Latch	12	n/a	\$51.79ea.
933120000-**	Commercial Drop Pin Kit	10	n/a	\$111.56ea.
930302220-**	Heavy Duty Multi-Adjust Hinge (TCHDMA1)	10	\$199.73ea.	\$199.73ea.
930312010-**	Lockable Latch S2 (LLAA)	20	\$74.23set	\$74.23set
930343120-**	10" Vertical Pull MagnaLatch (ML3VPKA)	10	n/a	\$188.54ea.
930351243-**	24" Lockable Drop Pin (LB224BX-KSA)	10	n/a	\$223.30ea.
958050780-**	5" x 78" Aluminum Post Insert	16	\$146.39ea.	

4-RAIL POST & RAIL FENCE (2" X 6")



Part No.	4-Rail Fence (2" x 6")	Qty.	White: 01	Almond: 03	Clay: 04	Black: 07
341040208-**-	8' Section		\$159.85ea.	\$175.83ea.	\$207.80ea.	\$231.78ea.
341044000-**-	Extra Post w/Flat Cap		\$54.98ea.	\$60.48ea.	\$71.48ea.	\$79.72ea.

Sections include one Post and one Flat Cap.

Part No.	Posts	Qty.	White: 01	Almond: 03	Clay: 04	Black: 07
341045200-**-	Line Post		\$54.98ea.	\$60.48ea.	\$71.48ea.	\$79.72ea.
341046200-**-	End Post		\$54.98ea.	\$60.48ea.	\$71.48ea.	\$79.72ea.
341047200-**-	Corner Post		\$54.98ea.	\$60.48ea.	\$71.48ea.	\$79.72ea.
341049200-**-	3-Way Post		\$54.98ea.	\$60.48ea.	\$71.48ea.	\$79.72ea.
341048200-**-	Blank Post		\$54.98ea.	\$60.48ea.	\$71.48ea.	\$79.72ea.
341046201-**-	Slant Down End Post		\$54.98ea.	\$60.48ea.	n/a	n/a

Part No.	Gates (Hardware not included)	Qty.	White: 01	Almond: 03	Clay: 04	Black: 07
341043200-**-	48" Wide Gate (Unassembled)		\$452.06ea.	\$497.27ea.	\$587.68ea.	\$655.49ea.
341043200-**-	72" Wide Gate (Unassembled)		\$542.48ea.	\$596.72ea.	\$705.22ea.	\$786.59ea.
341043200-**-	96" Wide Gate (Unassembled)		\$650.96ea.	\$716.06ea.	\$846.25ea.	\$943.89ea.
341043200-**-	120" Wide Gate (Unassembled)		\$781.16ea.	\$859.28ea.	\$1015.51ea.	\$1132.69ea.

Part No.	Gate Hardware	Qty.	White: 01	Black: 07
933100000-**-	Commercial Hinge	10	n/a	\$119.82set
933110200-**-	Commercial 2-Way Latch	12	n/a	\$51.79ea.
933120000-**-	Commercial Drop Pin Kit	10	n/a	\$111.56ea.
930302220-**-	Heavy Duty Multi-Adjust Hinge (TCHDMA1)	10	\$199.73ea.	\$199.73ea.
930312010-**-	Lockable Latch S2 (LLAA)	20	\$74.23set	\$74.23set
930343120-**-	10" Vertical Pull MagnaLatch (ML3VPKA)	10	n/a	\$188.54ea.
930351243-**-	24" Lockable Drop Pin (LB224BX-KSA)	10	n/a	\$223.30ea.
958050780-**-	5" x 78" Aluminum Post Insert	16	\$146.39ea.	

ACCESSORIES



POST CAPS



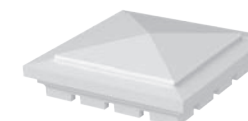
Flat



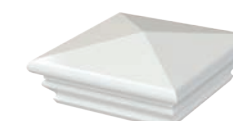
New York



New England



Dental Molding



Federation



4" Spade



5" Spade



Ball



New England Ball



Queen



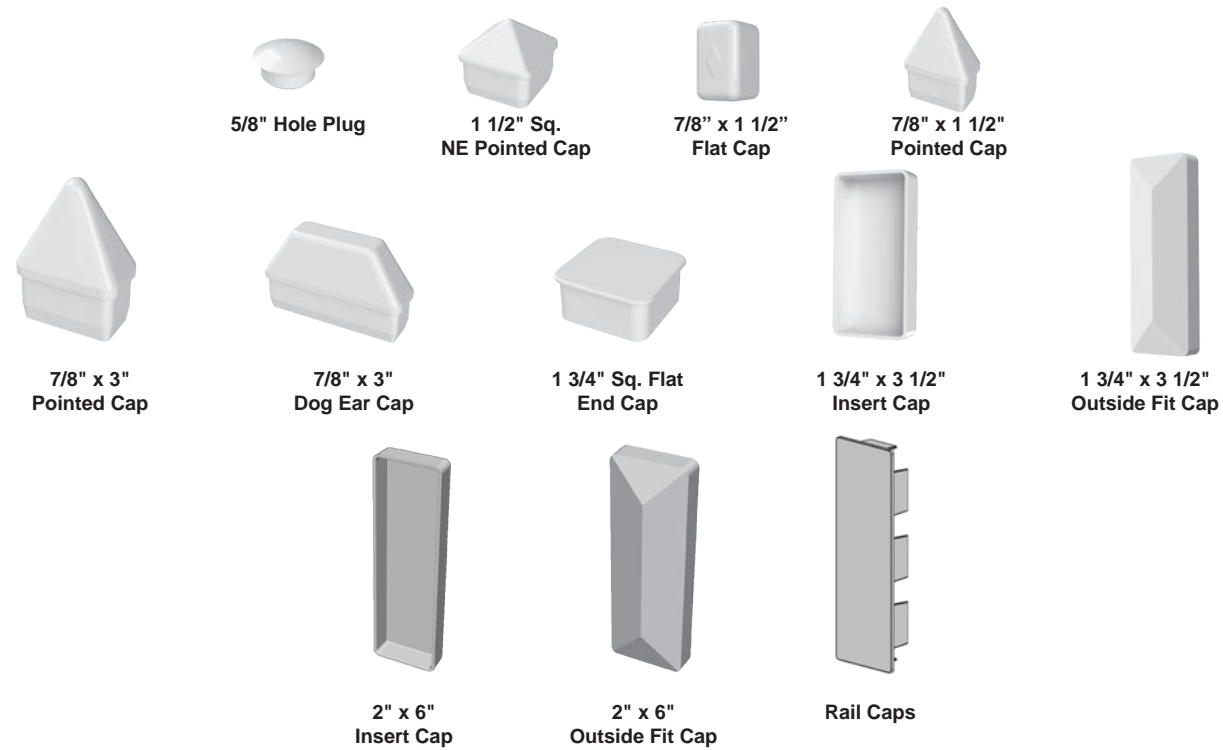
King

Part No.	Post Caps	Qty.	White: 01	Almond: 03	Clay: 04	Black: 07
910010400-**	4" Flat Cap	210	\$4.59ea.	\$5.05ea.	\$5.97ea.	\$6.66ea.
910011400-**	4" New York Cap	60	\$7.34ea.	\$8.07ea.	\$9.54ea.	n/a
910012400-**	4" New England Cap	32	\$14.71ea.	\$16.18ea.	\$19.12ea.	\$21.33ea.
910020400-**	4" Ball Cap	30	\$14.71ea.	\$16.18ea.	\$19.12ea.	n/a
910021400-**	4" Spade Cap	45	\$14.71ea.	\$16.18ea.	\$19.12ea.	\$21.33ea.
910022400-**	4" New England Ball Cap	32	\$20.85ea.	n/a	\$27.11ea.	n/a
910023400-**	4" Queen Cap	10	\$25.10ea.	\$27.61ea.	n/a	n/a
910024400-**	4" King Cap	30	\$25.10ea.	n/a	n/a	n/a
910010500-**	5" Flat Cap	160	\$4.86ea.	\$5.35ea.	\$6.32ea.	\$7.05ea.
910012500-**	5" New England Cap	60	\$16.33ea.	\$17.96ea.	\$21.23ea.	n/a
910020500-**	5" Ball Cap	24	\$16.33ea.	\$17.96ea.	\$21.23ea.	n/a
910021500-**	5" Spade Cap	45	\$16.33ea.	\$17.96ea.	\$21.23ea.	n/a
910010600-**	6" Flat Cap	100	\$20.89ea.	\$22.98ea.	\$27.16ea.	\$30.29ea.
910012600-**	6" New England Cap	32	\$33.99ea.	\$37.39ea.	\$44.19ea.	\$49.29ea.
910013600-**	6" Federation Cap	24	\$72.30ea.	n/a	n/a	n/a
910014600-**	6" Dental Molding Cap	24	\$33.99ea.	n/a	n/a	n/a
910011800-**	8" New York Cap	50	\$25.11ea.	n/a	n/a	n/a
910012800-**	8" New England Cap	8	\$37.46ea.	\$41.21ea.	\$48.70ea.	n/a
910012806-**	8" New England Cap w/6" Hole	8	\$44.91ea.	\$49.40ea.	\$58.38ea.	n/a

Important Notifications:
Qty. indicates Box or Skid quantities. The ** in Part Number represents the color codes. Fencing sections do not include posts or caps.

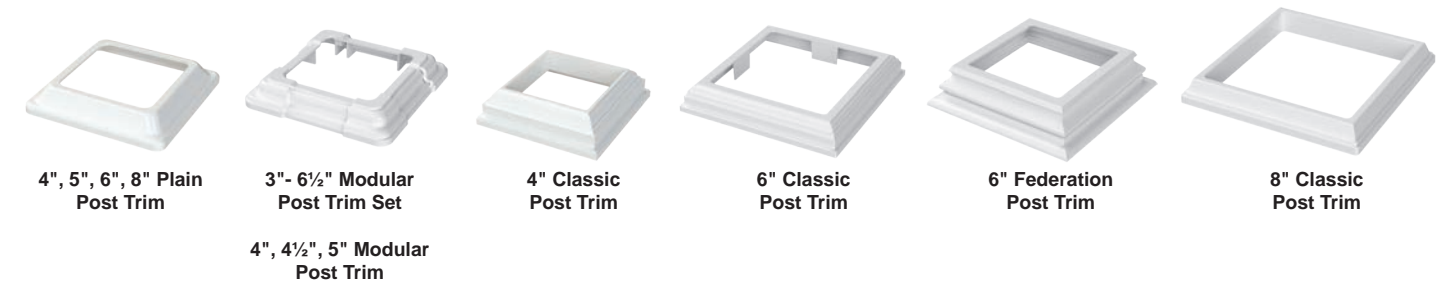
Terms: Net 30 days to approved accounts. Otherwise: Cash, check or money order. Prices F.O.B. New Holland, PA / Prices subject to change without notice.

SPECIALTY CAPS



Part No.	Specialty Caps	Qty.	White: 01	Almond: 03	Clay: 04	Black: 07
911006001-**	5/8" Hole Plug	500	\$0.27ea.	\$0.30ea.	\$0.35ea.	\$0.39ea.
910915152-**	1 1/2" Sq. NE Pointed Caps	700	\$2.30ea.	\$2.53ea.	\$2.99ea.	\$3.34ea.
910608150-**	7/8" x 1 1/2" Flat Cap	500	\$2.45ea.	n/a	n/a	n/a
910908152-**	7/8" x 1 1/2" Pointed Caps	1000	\$2.45ea.	n/a	n/a	n/a
910908302-**	7/8" x 3" Pointed Caps	400	\$3.25ea.	\$3.58ea.	n/a	n/a
910908301-**	7/8" x 3" Dog Ear Caps (Denmark, Columbia)	400	\$3.25ea.	\$3.58ea.	\$4.23ea.	\$4.71ea.
910815157-**	1 1/2" Sq. Beveled Cap	850	\$0.95ea.	n/a	n/a	n/a
910617170-**	1 3/4" Sq. Flat End Cap	300	\$3.25ea.	n/a	n/a	n/a
910717350-**	1 3/4" x 3 1/2" Insert Caps	292	\$2.67ea.	\$2.94ea.	\$3.47ea.	n/a
910817350-**	1 3/4" x 3 1/2" Outside Fit Caps	100	\$3.25ea.	\$3.58ea.	n/a	n/a
910720600-**	2" x 6" Insert Caps	146	\$2.93ea.	\$3.22ea.	\$3.81ea.	n/a
910820600-**	2" x 6" Outside Fit Caps	20	\$3.01ea.	\$3.31ea.	\$3.91ea.	n/a
910515550-**	1 1/2" x 5 1/2" Rail Cap	125	\$4.88ea.	\$5.37ea.	\$6.34ea.	n/a
910520601-**	2" x 6" Ribbed Rail Cap	100	\$5.12ea.	\$5.63ea.	n/a	n/a
910520603-**	2" x 6" Hollow Rail Cap	150	\$5.12ea.	\$5.63ea.	\$6.66ea.	\$7.42ea.
910520800-**	2" x 8" Rail Cap	240	\$10.36ea.	\$11.40ea.	\$13.47ea.	\$15.02ea.

POST TRIM



Part No.	Post Trim	Qty.	White: 01	Almond: 03	Clay: 04	Black: 07
950030360-**	3" - 6 1/2" Modular Trim Set (4-Pcs. Adjustable) *	40	\$24.25ea.	\$26.68ea.	\$31.53ea.	\$35.16ea.
950000400-**	4" Plain Post Trim	200	\$6.23ea.	\$6.85ea.	\$8.10ea.	\$9.03ea.
950020400-**	4" Classic Post Trim	32	\$7.15ea.	\$7.87ea.	\$9.30ea.	\$10.37ea.
950030400-**	4" Modular Trim Set (4-Pcs.)	60	\$19.30ea.	\$21.23ea.	n/a	n/a
950030450-**	4 1/2" Modular Trim Set (4-Pcs.)	60	\$19.95ea.	\$21.95ea.	n/a	n/a
950000500-**	5" Plain Post Trim	100	\$11.78ea.	\$12.96ea.	\$15.31ea.	\$17.08ea.
950030500-**	5" Modular Trim Set (4-Pcs.) ‡	40	\$20.58ea.	\$22.64ea.	\$26.75ea.	n/a
950000600-**	6" Plain Post Trim	80	\$16.34ea.	\$17.97ea.	\$21.24ea.	\$23.69ea.
950020600-**	6" Classic Post Trim ◆	56	\$25.46ea.	\$28.01ea.	\$33.10ea.	\$36.92ea.
950040600-**	6" Federation Post Trim	24	\$17.34ea.	\$19.07ea.	\$22.54ea.	\$25.14ea.
950000800-**	8" Plain Post Trim	100	\$18.19ea.	n/a	n/a	n/a
950020800-**	8" Classic Post Trim	14	\$26.56ea.	\$29.22ea.	\$34.53ea.	n/a

* 3 - 6 1/2" Modular Trim is adjustable from 3 - 6 1/2" and has a square corner radius.

‡ Corner radius of 5" Modular Trim matches 5" Turned Posts.

◆ Corner radius of 6" Classic Trim matches 6" Recessed Panel Posts.

UNDRILLED/DELUXE PICKETS



1 1/2" Undrilled Picket

Part No.	1 1/2" Undrilled Pinched Pickets	Qty.	White: 01	Almond: 03	Clay: 04	Black: 07
311181340-**	1 1/2" x 34" Undrilled Picket	19	\$5.06ea.	\$5.56ea.	\$6.58ea.	n/a
311181400-**	1 1/2" x 40" Undrilled Picket	19	\$5.70ea.	\$6.27ea.	\$7.41ea.	\$8.26ea.
311181460-**	1 1/2" x 46" Undrilled Picket	19	\$6.07ea.	\$6.67ea.	\$7.89ea.	n/a
311181520-**	1 1/2" x 52" Undrilled Picket	19	\$6.87ea.	\$7.55ea.	\$8.93ea.	\$9.96ea.
311181580-**	1 1/2" x 58" Undrilled Picket	19	\$7.43ea.	\$8.17ea.	\$9.65ea.	n/a
311181640-**	1 1/2" x 64" Undrilled Picket	19	\$8.63ea.	\$9.49ea.	\$11.22ea.	n/a
311181700-**	1 1/2" x 70" Undrilled Picket	19	\$8.63ea.	\$9.49ea.	\$11.22ea.	n/a
311181760-**	1 1/2" x 76" Undrilled Picket	19	n/a	\$13.17ea.	\$15.55ea.	n/a



3" Undrilled Picket

Part No.	3" Undrilled Pinched Pickets	Qty.	White: 01	Almond: 03	Clay: 04	Black: 07
311381340-**	3" x 34" Undrilled Picket	11	\$7.79ea.	n/a	\$10.13ea.	n/a
311381400-**	3" x 40" Undrilled Picket	11	\$8.70ea.	\$9.57ea.	\$11.31ea.	\$12.62ea.
311381460-**	3" x 46" Undrilled Picket	11	\$9.84ea.	n/a	\$12.79ea.	n/a
311381520-**	3" x 52" Undrilled Picket	11	\$10.90ea.	\$11.99ea.	\$14.17ea.	\$15.80ea.
311381580-**	3" x 58" Undrilled Picket	11	\$11.97ea.	\$13.17ea.	\$15.56ea.	n/a
311381640-**	3" x 64" Undrilled Picket	11	\$14.03ea.	\$15.43ea.	\$18.24ea.	n/a
311381700-**	3" x 70" Undrilled Picket	11	\$14.03ea.	\$15.43ea.	n/a	n/a
311381760-**	3" x 76" Undrilled Picket	11	\$17.52ea.	\$19.28ea.	n/a	n/a



3" Deluxe Drilled Picket

Part No.	3" Deluxe Picket Packs	Qty.	White: 01	Almond: 03	Clay: 04	Black: 07
311311366-**	3" x 36" Deluxe Straight Picket (6' Section)	11	\$85.70pk.	\$94.27pk.	n/a	n/a
311311486-**	3" x 48" Deluxe Straight Picket (6' Section)	11	\$108.32pk.	\$119.16pk.	n/a	n/a
311311606-**	3" x 60" Deluxe Straight Picket (6' Section)	11	\$131.50pk.	\$144.65pk.	n/a	n/a
311311726-**	3" x 72" Deluxe Straight Picket (6' Section)	11	n/a	\$188.42pk.	n/a	n/a
311321366-**	3" x 36" Deluxe Concave Picket (6' Section)	11	\$107.13pk.	\$117.84pk.	n/a	n/a
311321486-**	3" x 48" Deluxe Concave Picket (6' Section)	11	\$135.36pk.	\$148.90pk.	n/a	n/a
311321606-**	3" x 60" Deluxe Concave Picket (6' Section)	11	\$164.39pk.	\$180.83pk.	n/a	n/a
311321726-**	3" x 72" Deluxe Concave Picket (6' Section)	11	\$192.68pk.	\$211.95pk.	n/a	n/a

CLASSIC PICKETS



1 1/2" Classic Notched Picket



3" Classic Notched Picket

Part No.	Classic Straight Pickets	Qty.	White: 01	Almond: 03	Clay: 04	Black: 07
313111366-**	1 1/2" x 36" Classic Straight Picket (Each)	19	\$96.05ea.	\$105.65ea.	\$124.86ea.	\$139.27ea.
313111486-**	1 1/2" x 48" Classic Straight Picket (Each)	19	\$115.19ea.	\$126.71ea.	\$149.75ea.	\$167.03ea.
313111576-**	1 1/2" x 57" Classic Straight Picket (Each)	19	\$141.03ea.	\$155.13ea.	\$183.34ea.	n/a
313311366-**	3" x 36" Classic Straight Picket (Each)	11	\$85.71ea.	\$94.28ea.	\$111.42ea.	\$124.28ea.
313311486-**	3" x 48" Classic Straight Picket (Each)	11	\$96.17ea.	\$105.78ea.	\$125.01ea.	\$139.44ea.
313311576-**	3" x 57" Classic Straight Picket (Each)	11	\$131.56ea.	\$144.72ea.	\$171.03ea.	n/a

Part No.	Classic Concave Picket Packs	Qty.	White: 01	Almond: 03	Clay: 04	Black: 07
313121366-**	1 1/2" x 36" Classic Concave Picket (6' Section)	19	\$120.13pk.	\$132.15pk.	\$156.17pk.	\$174.19pk.
313121368-**	1 1/2" x 36" Classic Concave Picket (8' Section)	25	\$158.05pk.	\$173.85pk.	\$205.46pk.	\$229.17pk.
313121486-**	1 1/2" x 48" Classic Concave Picket (6' Section)	19	\$144.08pk.	\$158.49pk.	\$187.31pk.	\$208.92pk.
313121488-**	1 1/2" x 48" Classic Concave Picket (8' Section)	25	\$189.60pk.	\$208.56pk.	\$246.48pk.	\$274.92pk.
313121576-**	1 1/2" x 57" Classic Concave Picket (6' Section)	19	\$176.38pk.	\$194.02pk.	\$229.30pk.	n/a
313121578-**	1 1/2" x 57" Classic Concave Picket (8' Section)	25	\$232.03pk.	\$255.23pk.	\$301.64pk.	n/a
313321366-**	3" x 36" Classic Concave Picket (6' Section)	11	\$107.13pk.	\$117.84pk.	\$139.27pk.	\$155.33pk.
313321368-**	3" x 36" Classic Concave Picket (8' Section)	15	\$146.07pk.	\$160.68pk.	\$189.89pk.	\$211.80pk.
313321486-**	3" x 48" Classic Concave Picket (6' Section)	11	\$135.36pk.	\$148.90pk.	\$175.97pk.	\$196.27pk.
313321488-**	3" x 48" Classic Concave Picket (8' Section)	15	\$184.62pk.	\$203.08pk.	\$240.00pk.	\$267.69pk.
313321576-**	3" x 57" Classic Concave Picket (6' Section)	11	\$164.39pk.	\$180.83pk.	\$213.71pk.	\$238.37pk.
313321578-**	3" x 57" Classic Concave Picket (8' Section)	15	\$224.20pk.	\$246.62pk.	\$291.46pk.	\$325.09pk.

Part No.	Columbia Straight Picket Packs	Qty.	White: 01	Almond: 03	Clay: 04	Black: 07
314311366-**	3" x 36" Columbia Straight Picket (6' Section)	11	\$85.70pk.	\$94.27pk.	\$111.41pk.	\$124.26pk.
314311486-**	3" x 48" Columbia Straight Picket (6' Section)	11	\$108.32pk.	\$119.16pk.	\$140.82pk.	\$157.07pk.
314311576-**	3" x 57" Columbia Straight Picket (6' Section)	11	\$131.50pk.	\$144.65pk.	\$170.95pk.	n/a

COLUMBIA, NEW ENGLAND PICKETS



3" Columbia Notched Picket

Part No.	Columbia Concave Picket Packs	Qty.	White: 01	Almond: 03	Clay: 04	Black: 07
314321366-**-	3" x 36" Columbia Concave Picket (6' Section)	11	\$107.13pk.	\$117.84pk.	\$139.27pk.	\$155.33pk.
314321368-**-	3" x 36" Columbia Concave Picket (8' Section)	15	\$146.07pk.	\$160.68pk.	\$189.89pk.	\$211.80pk.
314321486-**-	3" x 48" Columbia Concave Picket (6' Section)	11	\$135.36pk.	\$148.90pk.	\$175.97pk.	\$196.27pk.
314321488-**-	3" x 48" Columbia Concave Picket (8' Section)	15	\$184.62pk.	\$203.08pk.	\$240.00pk.	\$267.69pk.
314321576-**-	3" x 57" Columbia Concave Picket (6' Section)	11	\$164.39pk.	\$180.83pk.	\$213.71pk.	n/a
314321578-**-	3" x 57" Columbia Concave Picket (8' Section)	15	\$224.20pk.	\$246.62pk.	\$291.46pk.	n/a



1 1/2" New England Notched Picket

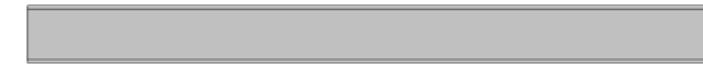
Part No.	New England Straight Picket Packs	Qty.	White: 01	Almond: 03	Clay: 04	Black: 07
315111366-**-	36" New England Straight Picket (6' Section)	21	\$96.10pk.	\$105.71pk.	\$124.93pk.	n/a
315111486-**-	48" New England Straight Picket (6' Section)	21	\$157.64pk.	\$173.40pk.	\$204.93pk.	n/a

Part No.	New England Concave Picket Packs	Qty.	White: 01	Almond: 03	Clay: 04	Black: 07
315121366-**-	36" New England Concave Picket (6' Section)	21	\$120.13pk.	\$132.15pk.	\$156.17pk.	n/a
315121486-**-	48" New England Concave Picket (6' Section)	21	\$144.08pk.	\$158.49pk.	\$187.31pk.	n/a

YARD SPOKES, LATTICE

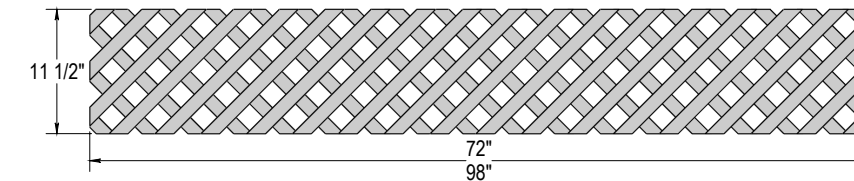


7/8" x 1 1/2" Yard Spoke



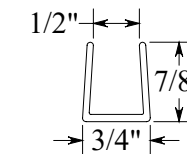
7/8" x 3" Yard Spoke

Part No.	Yard Spokes	Qty.	White: 01	Almond: 03	Clay: 04	Black: 07
329011480-**-	7/8" x 1 1/2" x 48" Spoke	15	\$5.60ea.	\$6.16ea.	\$7.28ea.	n/a
329011595-**-	7/8" x 1 1/2" x 59 1/2" Spoke	15	\$7.03ea.	\$7.73ea.	\$9.14ea.	n/a
329011715-**-	7/8" x 1 1/2" x 71 1/2" Spoke	15	\$8.43ea.	\$9.28ea.	\$10.96ea.	n/a
329013310-**-	7/8" x 3" x 31" Spoke	11	\$5.27ea.	\$5.80ea.	\$6.86ea.	n/a
329013480-**-	7/8" x 3" x 48" Spoke	11	\$8.15ea.	\$8.97ea.	\$10.60ea.	\$11.82ea.
329013595-**-	7/8" x 3" x 59 1/2" Spoke	11	\$10.13ea.	\$11.15ea.	\$13.17ea.	\$14.69ea.
329013715-**-	7/8" x 3" x 71 1/2" Spoke	11	\$12.16ea.	\$13.37ea.	\$15.81ea.	\$17.63ea.



Lattice

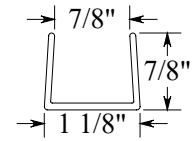
Part No.	Vinyl Lattice	Qty.	White: 01	Almond: 03	Clay: 04	Black: 07
851111722-**-	11 1/2" x 72" Vinyl Lattice	4	\$48.18ea.	\$53.00ea.	\$62.63ea.	n/a
851111982-**-	11 1/2" x 98" Vinyl Lattice	280	\$64.16ea.	\$70.58ea.	\$83.41ea.	n/a



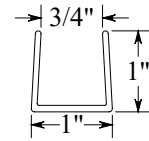
Lattice C-Channel

Part No.	Vinyl Lattice C-Channel	Qty.	White: 01	Almond: 03	Clay: 04	Black: 07
851505681-**-	1/2" x 68 1/2" Vinyl Lattice C-Channel	80	\$11.30ea.	\$12.43ea.	\$14.69ea.	n/a
851505961-**-	1/2" x 98" Vinyl Lattice C-Channel	80	\$15.81ea.	\$17.39ea.	\$20.55ea.	n/a

SIDE CHANNELS, MOUNTING BRACKETS

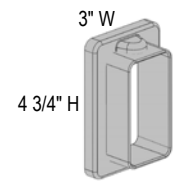


Manorboston Side Channel

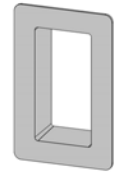


Cambridge Side Channel

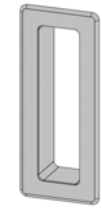
Part No.	Privacy Side Channels	Qty.	White: 01	Almond: 03	Clay: 04	Black: 07
339071435-**-**	43 1/2" Manorboston Side Channel	50	\$7.77ea.	\$8.54ea.	\$10.10ea.	n/a
339071590-**-**	59" Manorboston Side Channel	50	\$10.57ea.	\$11.62ea.	\$13.74ea.	n/a
339073425-**-**	42 1/2" Cambridge Side Channel	50	\$7.50ea.	\$8.25ea.	\$9.75ea.	n/a
339073435-**-**	43 1/2" Cambridge Side Channel	50	\$7.70ea.	\$8.46ea.	\$10.00ea.	n/a
339073580-**-**	58" Cambridge Side Channel	50	\$6.07ea.	\$6.67ea.	\$7.89ea.	n/a
339073590-**-**	59" Cambridge Side Channel	50	\$10.40ea.	\$11.43ea.	\$13.51ea.	n/a



1 3/4" x 3 1/2" Mounting Bracket (Includes Screws)



Full 2" x 4" Mounting Bracket

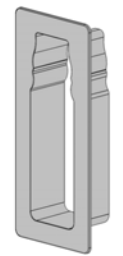


1 1/2" x 5 1/2" Mounting Bracket

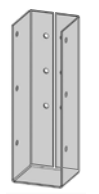


2" x 6" Mounting Bracket

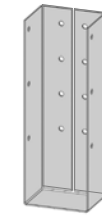
Screws/fasteners are not included with these brackets!



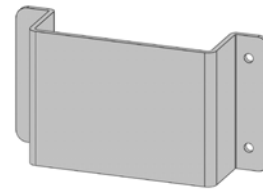
6 1/2" Deco Rail Mounting Bracket



1 1/2" x 5 1/2" Wall Mount Bracket



2" x 6" Wall Mount Bracket

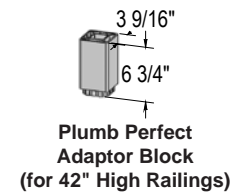
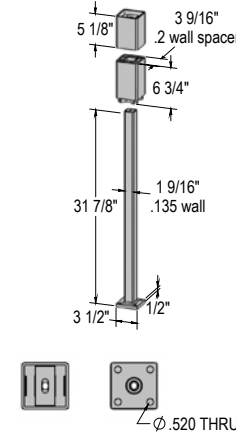


2" x 6" Rail Brackets

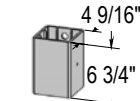
Part No.	Brackets	Qty.	White: 01	Almond: 03	Clay: 04	Black: 07
93010004-**-**	1 3/4" x 3 1/2" Mounting Bracket (4/Pk)	42	\$32.84pk.	\$36.12pk.	\$42.69pk.	\$47.62pk.
932020401-**-**	Full 2" x 4" Mounting Bracket (Socket)	75	\$7.32ea.	n/a	n/a	n/a
932015551-**-**	1 1/2" x 5 1/2" Mounting Bracket (Socket)	100	\$7.32ea.	n/a	n/a	n/a
932020601-**-**	2" x 6" Mounting Bracket (Socket)	72	\$9.95ea.	\$10.95ea.	n/a	n/a
932020651-**-**	6 1/2" Deco Rail Mounting Bracket (Socket)	50	\$11.25ea.	\$12.38ea.	\$14.63ea.	n/a
932015550-**-**	1 1/2" x 5 1/2" SS Wall Mount Bracket	48	\$17.63ea.	\$19.39ea.	n/a	n/a
932020600-**-**	2" x 6" SS Wall Mount Bracket	80	\$24.72ea.	\$27.19ea.	\$32.14ea.	n/a
932020602-**-**	2" x 6" Rail Brackets	63	\$8.21ea.	n/a	n/a	n/a

POST MOUNTS

8436G-PP Post Mount



Plumb Perfect Adaptor Block (for 42" High Railings)



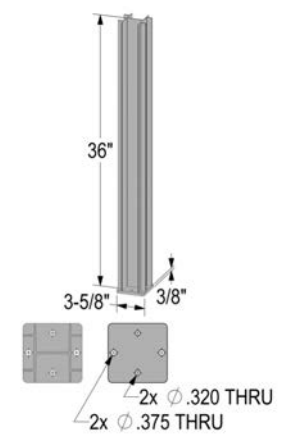
5" Plumb Perfect Sleeve Over Block (for 5" Posts)

Use: 4" x 4" Post, 5" x 5" Post

Also Included in Box:

- (1) 4" Top Spacer Block w/Fastening Hardware
- (1) 4" Bottom Spacer Block (2) 5° Shims

4436A Post Mount

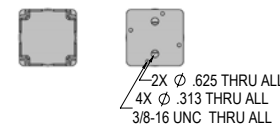
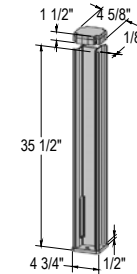


Use: 4" x 4" Post

Also Included in Box:

- (1) Leveling Plate
- (1) 3/8" x 1" Leveling Bolts

4536A Post Mount

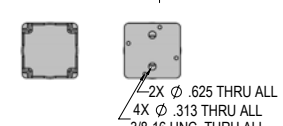
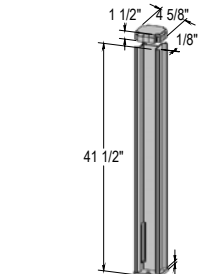


Use: 5" x 5" Post

Also Included in Box:

- (1) Leveling Plate
- (4) 3/8" x 1" Leveling Bolts
- (1) 5" Poly Block

4542A Post Mount



Use: 5" x 5" Post

Also Included in Box:

- (1) Leveling Plate
- (4) 3/8" x 1" Leveling Bolts
- (1) 5" Poly Block

Part No.	Post Mounts	Qty.	List
940843627-**-**	4" x 36" Plumb Perfect Pro 8436G-PP	110	\$96.33ea.
940843628-**-**	4" x 36" Plumb Perfect Advantage 8436G-AD	110	\$83.89ea.
940044207-**-**	Plumb Perfect Adapter Block for 42" High Railing	50	\$19.02ea.
940050007-**-**	5" Plumb Perfect Sleeve Over Block	9	\$34.44ea.
940060007-**-**	6" Plumb Perfect Sleeve Over Block	9	\$49.94ea.
940024507-**-**	Plumb Perfect Deck Mount Kit	24	\$35.31ea.
940443630-**-**	4" x 36" (2-Lag) Alum. 4436A	100	\$95.37ea.
940453630-**-**	5" x 36" (2-Lag) Alum. 4536A		\$121.68ea.
940454210-**-**	5" x 42" (2-Lag) Alum. 4542A		\$134.84ea.

FASTENERS & TOOLS

Part No.	Screws	Qty.	White: 01	Almond: 03	Clay: 04	Black: 07	Unpainted: 00
980008050.**	#8 x 1/2" SS Pan Head #2 Sq Dr Sharp Tip	14000	\$0.25ea.	n/a	n/a	n/a	n/a
980008100.**	#8 x 1" SS Pan Head #2 Sq Dr Drill Tip		\$0.25ea.	\$0.25ea.	\$0.25ea.	\$0.25ea.	\$0.16ea.
980008200.**	#8 x 2" SS Pan Head #2 Sq Dr Drill Tip	3500	n/a	\$0.32ea.	n/a	n/a	\$0.29ea.
981114103.**	#14 X 1" SS Flat Head #3 Phillips Dr Sharp Tip	5000	\$0.41ea.	\$0.47ea.	\$0.47ea.	n/a	\$0.41ea.
980014103.**	#14 x 1" SS Pan Head #3 Sq Dr Drill Tip	4500	\$0.41ea.	\$0.47ea.	\$0.47ea.	n/a	\$0.41ea.
981114153.**	#14 X 1 1/2" SS Flat Head #3 Phillips Dr Sharp Tip	3000	\$0.41ea.	n/a	n/a	n/a	n/a
980014303.**	#14 x 3" SS Pan Head #3 Sq Dr Sharp Tip	1000	\$0.84ea.	n/a	n/a	n/a	n/a
980014403.**	#14 x 4" SS Pan Head #3 Sq Dr Sharp Tip	600	\$1.17ea.	\$1.29ea.	\$1.29ea.	\$1.29ea.	\$1.17ea.

Sizes and prices subject to change based on availability

Part No.	Snap Caps	Qty.	White: 01	Almond: 03	Clay: 04	Black: 07
985000000.**	Snap Cap	5000	\$0.27ea.	\$0.30ea.	\$0.34ea.	\$0.38ea.

Part No.	Washers	Qty.	List
985100000.**	Snap Cap Washer	5000	\$0.27ea.

Snap caps and washers only work for #8 screws.

Part No.	Pop Rivets	Qty.	White: 01	Almond: 03	Clay: 04	Black: 07
996500000.**	Pop Rivets	4000	\$0.38ea.	\$0.42ea.	\$0.49ea.	n/a

Part No.	Wire Clips	Qty.	White: 01	Almond: 03	Clay: 04	Black: 07
995000000.**	Wire Clips (Includes Screws)	5000	\$1.29ea.	\$1.42ea.	n/a	\$1.87ea.

Part No.	Misc. Fasteners & Driver Bits	Qty.	List
987550405.**	1/2" x 4" Wedge Bolt	300	\$3.55ea.
985530351.**	19/64" x 3 1/2" GRK Calburn Concrete Screw	400	\$2.40ea.
985531402.**	5/16" x 4" GRK SS Phoenix Wood Screw	400	\$1.93ea.
999900000.**	Drill Driver Bit T-40 (For Concrete GRK Screws)		\$2.10ea.
999900100.**	Drill Driver Bit T-30 (For Wood GRK Screws)		\$2.10ea.

Part No.	Tools	Qty.	List
997500000.**	Fence Rail Notcher		\$713.73ea.

GLUE & PACKAGING SUPPLIES

Part No.	White Glue	Qty.	White: 01
992000150.**	1 1/2 Oz. T-Christy Red Hot Glue	24	\$12.14ea.
992000800.**	8 Oz. T-Christy Red Hot Glue	8	\$28.95ea.

Part No.	Clear Glue	Qty.	List
991000400.**	4 Oz. Can Glue	24	\$7.17ea.
992000800.**	8 Oz. T-Christy Red Hot Glue	8	\$28.95ea.
992012800.**	Gallon Glue, Heavy Duty Clear	6	\$196.54ea.

Part No.	Packaging Supplies	Qty.	List
999312055.**	5 1/2" Cable Ties (1000/Pk)		\$43.80ea.
999418800.**	18" Stretch Wrap (1500/Pk)		\$38.63ea.
999508800.**	8 1/2" Clear Tube Bag (800/Pk)		\$232.78ea.
999510800.**	10 1/2" Clear Tube Bag (800/Pk)		\$306.72ea.
999511800.**	11 1/2" Clear Tube Bag (800/Pk)		\$317.68ea.
999512800.**	12 1/2" Clear Tube Bag (800/Pk)		\$334.12ea.
999515800.**	15 1/4" Clear Tube Bag (800/Pk)		\$438.20ea.

GATE HARDWARE AND ACCESSORIES



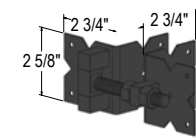
D® D&D Technologies
Hi-Performance Hardware



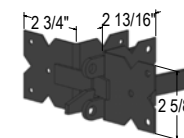
Important Notifications:
Qty. indicates Box or Skid quantities. The ** in Part Number represents the color codes. Fencing sections do not include posts or caps.

Terms: Net 30 days to approved accounts. Otherwise: Cash, check or money order. Prices F.O.B. New Holland, PA / Prices subject to change without notice.

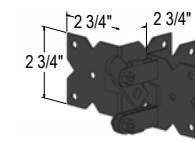
DEPEND-A-BULL GATE HARDWARE



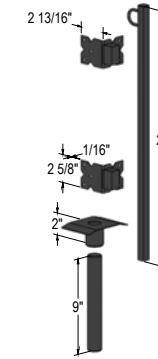
Residential Hinge Set



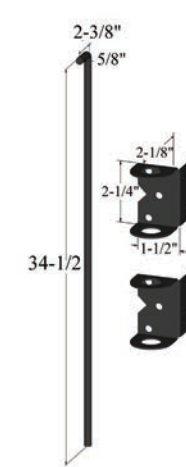
Residential 2-Way Latch Set



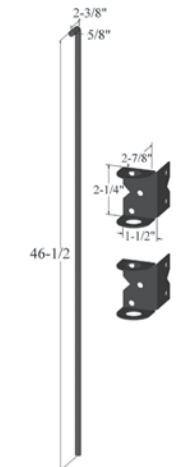
Residential Latch Set



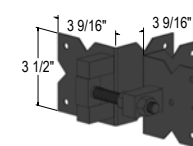
Residential Drop Pin Kit



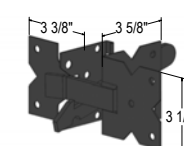
34" Residential Drop Pin Kit



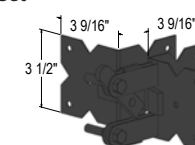
46" Residential Drop Pin Kit



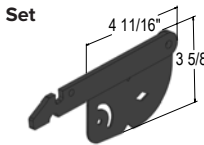
Commercial Hinge Set



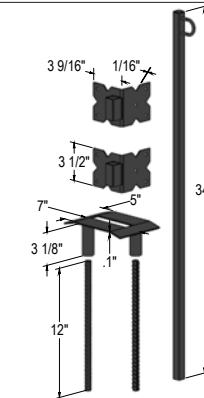
Commercial 2-Way Latch Set



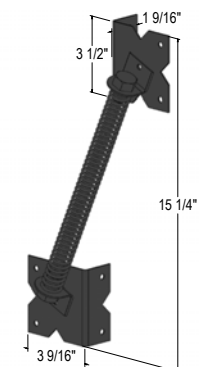
Commercial Latch Set



Commercial 2-Way Latch Lock



Commercial Drop Pin Kit



Commercial Spring Set

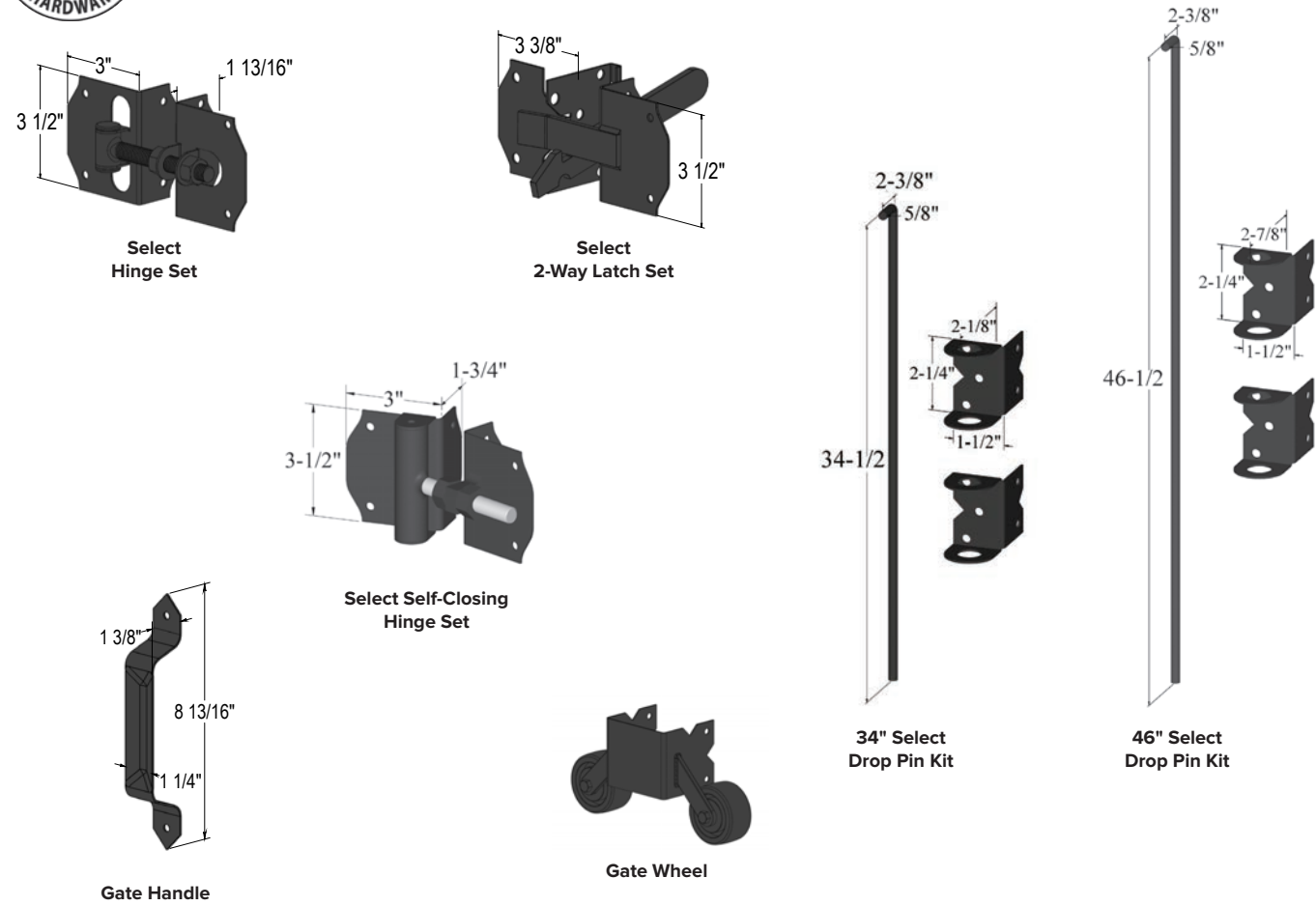
Part No.	Gate Hardware (Residential)	Qty.	White: 01	Black: 07
933000000-**	Residential Hinge	12	n/a	\$100.54set
933010000-**	Residential Latch	24	n/a	\$47.66ea.
933010200-**	Residential 2-Way Latch	24	n/a	\$43.87ea.
933020000-**	Residential Drop Pin Kit	10	n/a	\$91.00ea.
933020340-**	34" Residential Drop Pin Kit	10	n/a	\$101.35ea.
933020460-**	46" Residential Drop Pin Kit	10	n/a	\$110.44ea.

Residential Gate Hardware is Stainless Steel and made for use on 3 1/2" and 4" Square Posts. (Ideal Gap = 3/4")

Part No.	Gate Hardware (Commercial)	Qty.	White: 01	Black: 07
933100000-**	Commercial Hinge	10	n/a	\$119.82set
933110000-**	Commercial Latch	12	n/a	\$59.03ea.
933110200-**	Commercial 2-Way Latch	12	n/a	\$51.79ea.
933110210-**	Commercial 2-Way Latch Lock	12	n/a	\$27.52ea.
933120000-**	Commercial Drop Pin Kit	10	n/a	\$111.56ea.
933130000-**	Commercial Spring	10	n/a	\$91.20ea.

Commercial Gate Hardware is Stainless Steel and made for use on 4" or Larger Posts. (Ideal Gap = 1 1/4")

DEPEND-A-BULL GATE HARDWARE

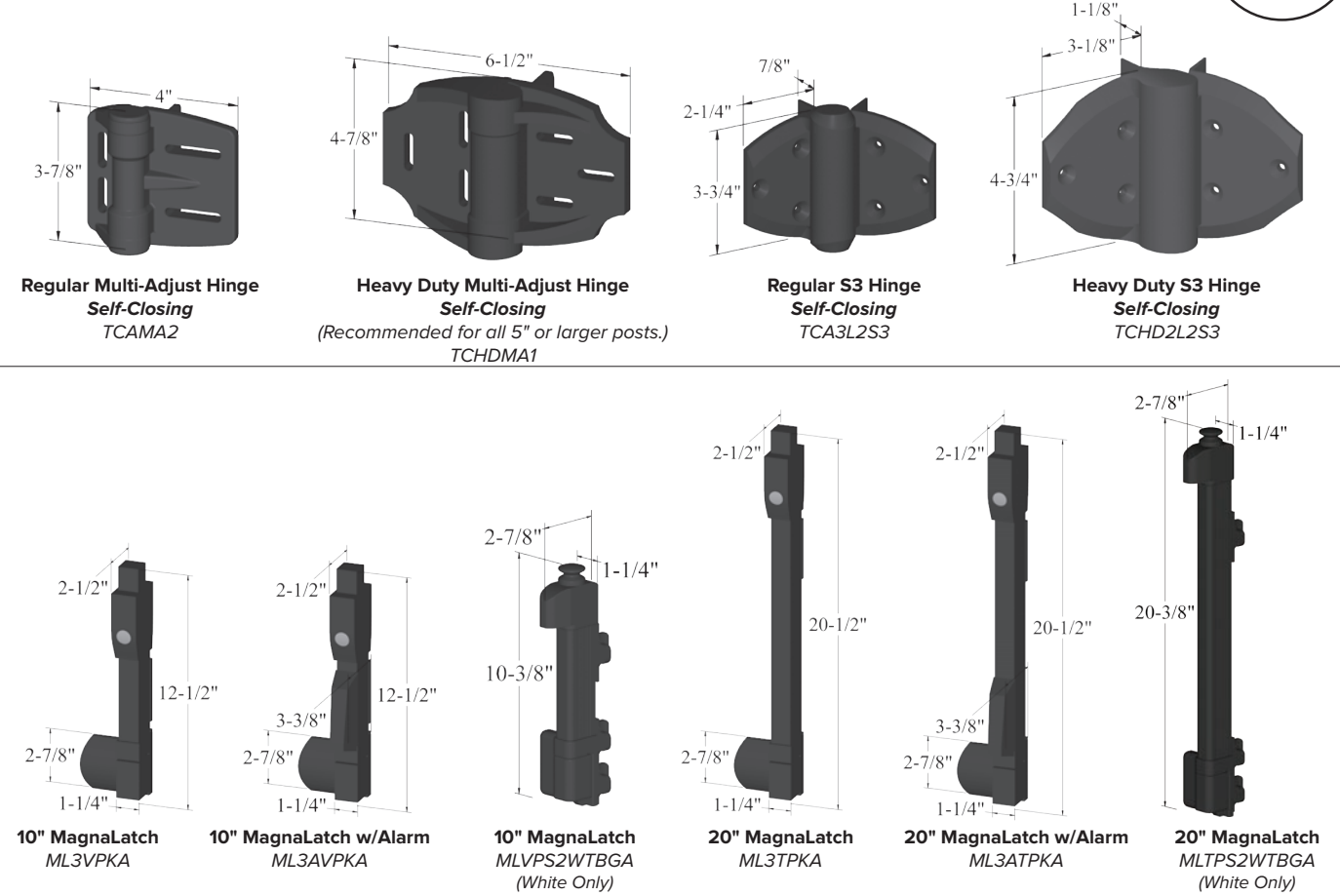


Part No.	Gate Hardware (Select)	Qty.	White: 01	Black: 07
933200000-**	Select Hinge	12	\$89.79set	\$89.79set
933200020-**	Select Self Closing Hinge	24	n/a	\$165.65set
933210200-**	Select 2-Way Latch	12	\$43.76ea.	\$43.76ea.
933220340-**	34" Select Drop Pin Kit	10	n/a	\$101.35ea.
933220460-**	46" Select Drop Pin Kit	10	\$110.44ea.	\$110.44ea.

Select Gate Hardware is Stainless Steel and made for use on 3 1/2" and 4" Square Posts. (Ideal Gap = 1")

Part No.	Gate Accessories	Qty.	White: 01	Black: 07
933560000-**	Aluminum Gate Handle	40	n/a	\$13.74ea.
933550400-**	4" Gate Wheel	10	n/a	\$65.65ea.
933550500-**	5" Gate Wheel	10	n/a	\$65.65ea.

D&D GATE HARDWARE

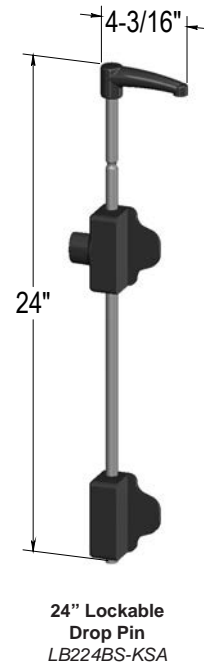
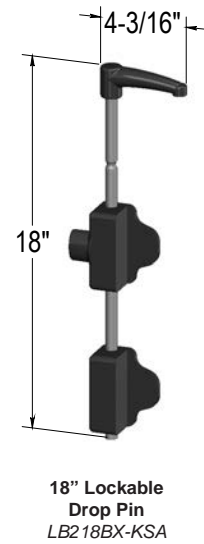
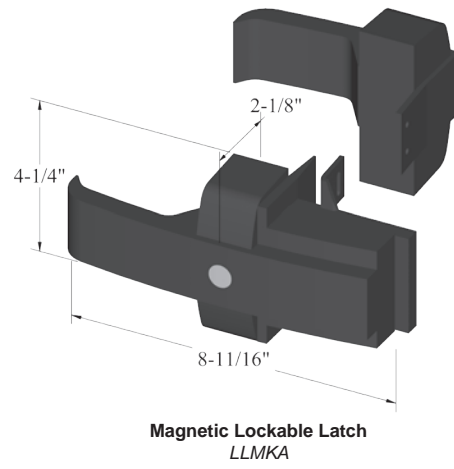
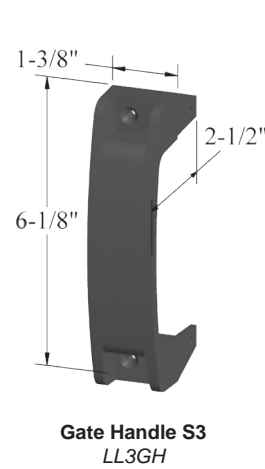
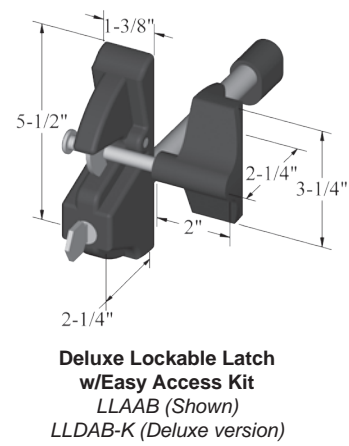
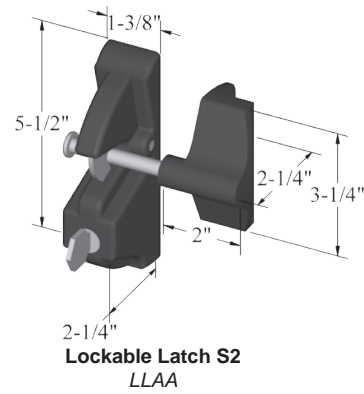


Part No.	Gate Hardware (D&D - TruClose)	Qty.	White: 01	Black: 07
930302120-**	Regular Multi-Adjust Hinge (TCAMA2)	20	\$148.11set	\$148.11set
930302220-**	Heavy Duty Multi-Adjust Hinge (TCHDMA1)	10	\$199.73set	\$199.73set
930303123-**	Regular S3 Hinge (TCA3L2S3)	20	\$89.83set	n/aset
930303223-**	Heavy Duty S3 Hinge (TCHD2L2S3)	10	n/a	\$152.43set

Part No.	Gate Hardware (D&D - MagnaLatch)	Qty.	White: 01	Black: 07
930343120-**	10" Vertical Pull MagnaLatch (ML3VPKA) †	10	n/a	\$188.54ea.
930343220-**	20" Top Pull MagnaLatch (ML3TPKA) †	10	n/a	\$199.10ea.
930342120-**	10" Vertical Pull MagnaLatch (MLVPS2WTBGA)	10	\$188.54ea.	n/a
930342220-**	20" Top Pull MagnaLatch (MLTPS2WTBGA)	10	\$199.10ea.	n/a
930343121-**	10" Vertical MagnaLatch w/Alarm (ML3AVPKA) †	5	n/a	\$551.14ea.

† Keyed-Alike

D&D GATE HARDWARE

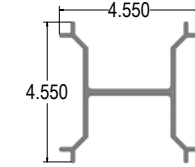
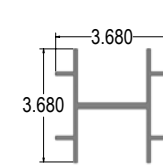


Part No.	Gate Hardware (D&D - LOKKLatch)	Qty.	White: 01	Black: 07
930312010-**	Lockable Latch S2 (LLAA)	20	\$74.23ea.	\$74.23ea.
930312210-**	Lockable Latch w/Easy Access Kit (LLAAB)	20	n/a	\$122.78ea.
930313020-**	Deluxe Lockable Latch w/EAK (LLDAB-KSA)	10	n/a	\$334.72ea.
930315020-**	Magnetic Lockable Latch (LLMKA)	10	n/a	\$253.38ea.
930312110-**	External Access Kit (LLB)	50	\$52.84ea.	\$52.84ea.
930363000-**	Gate Handle S3 (LL3GH)	50	n/a	\$14.14ea.

Part No.	Gate Hardware (D&D - LOKKBolt)	Qty.	White: 01	Black: 07
930351183-**	18" Lockable Drop Pin (LB218BX-KSA) ♦	10	n/a	\$201.19ea.
930351243-**	24" Lockable Drop Pin (LB224BX-KSA) ♦	10	n/a	\$223.30ea.
930350000-**	Lockable Drop Pin Plate	10	n/a	\$35.00ea.

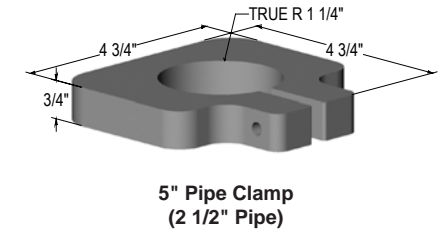
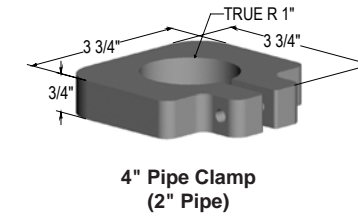
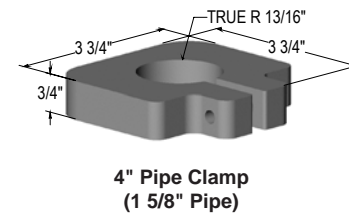
♦ Keyed-Alike

POST INSERTS, PIPE CLAMPS



Part No.	Aluminum Post Inserts	Qty.	List
958040600-**	4" x 60" Aluminum Post Insert	20	\$89.96ea.
958040720-**	4" x 72" Aluminum Post Insert	20	\$107.95ea.
958050780-**	5" x 78" Aluminum Post Insert	16	\$146.39ea.
958050960-**	5" x 96" Aluminum Post Insert	16	\$180.20ea.
958050962-**	5" x 96" Aluminum Post Insert (For .250 Wall Posts)	16	\$198.63ea.

(No Mix & Match)

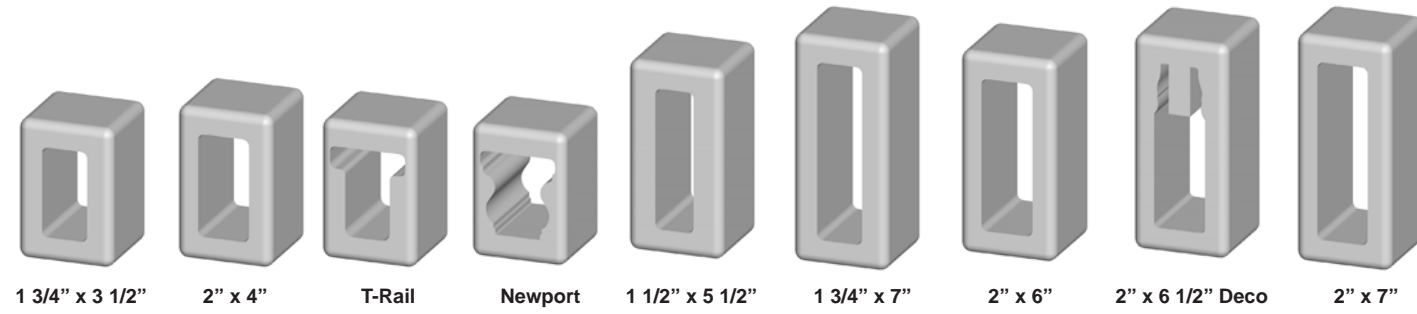


Part No.	Pipe Clamps	Qty.	List
993040160-**	4" Pipe Clamps (1 5/8" Pipe) (3/Pk)		\$29.67ea.
993040200-**	4" Pipe Clamps (2" Pipe) (3/Pk)		\$29.67ea.
993050250-**	5" Pipe Clamps (2 1/2" Pipe) (3/Pk)		\$44.53ea.

GATE HARDWARE

GATE HARDWARE

GATE BLOCKS, SCREWS



Part No.	Gate Blocks	Qty.	List
932617364-**	1 3/4" x 3 1/2" x 4" Gate Block (Sq. Corner)	32	\$29.41ea.
932620404-**	Full 2" x 4" x 4" Gate Block	32	\$30.92ea.
932610004-**	4" T-Rail Gate Block	32	\$26.93ea.
932630004-**	4" Newport Gate Block	32	\$29.41ea.
932615554-**	1 1/2" x 5 1/2" x 4" Gate Block	32	\$34.87ea.
932617704-**	1 3/4" x 7" x 4" Gate Block	32	\$41.77ea.
932620604-**	2" x 6" x 4" Gate Block	32	\$36.76ea.
932620654-**	2" x 6 1/2" x 4" Deco Rail Gate Block	32	\$39.05ea.
932620704-**	2" x 7" x 4" Gate Block	32	\$41.77ea.

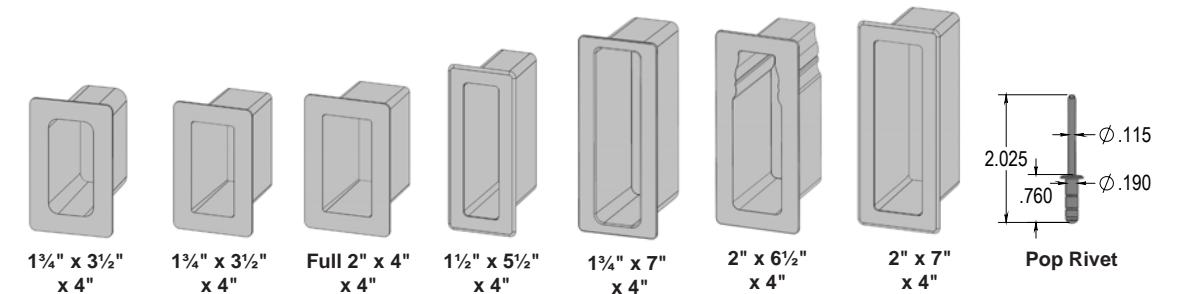
1/4" x 6" Gate Block Screw

1/4" x 8" Gate Block Screw

1/4" x 10" Gate Block Screw

Part No.	Gate Block Screws	Qty.	List
985625600-**	1/4" x 6" Gate Block Screw	250	\$1.11ea.
985625800-**	1/4" x 8" Gate Block Screw	450	\$1.67ea.
985625990-**	1/4" x 10" Gate Block Screw	350	\$2.47ea.

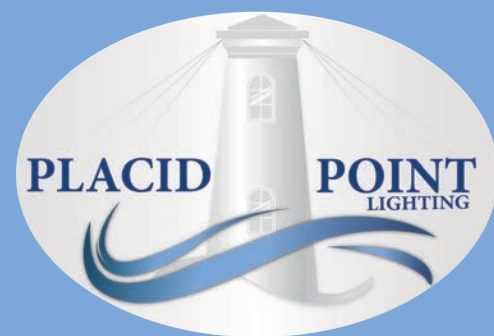
GATE SOCKETS



Part No.	Gate Sockets	Qty.	White: 01	Almond: 03	Clay: 04	Black: 07
932517354-**	1 3/4" x 3 1/2" x 4" Gate Socket	50	\$6.86ea.	n/a	n/a	n/a
932517364-**	1 3/4" x 3 1/2" x 4" Gate Socket (Square Corner)	54	\$6.86ea.	n/a	n/a	n/a
932520404-**	Full 2" x 4" x 4" Gate Socket	75	\$7.30ea.	n/a	n/a	n/a
932515554-**	1 1/2" x 5 1/2" x 4" Gate Socket	100	\$7.30ea.	n/a	n/a	n/a
932517704-**	1 3/4" x 7" x 4" Gate Socket	24	\$9.93ea.	n/a	\$12.91ea.	n/a
932520604-**	2" x 6" x 4" Gate Socket (Square Corner)	72	\$9.91ea.	n/a	n/a	n/a
932520654-**	2" x 6 1/2" x 4" Deco Rail Gate Sockets	50	\$9.93ea.	n/a	\$12.91ea.	n/a
932520704-**	2" x 7" x 4" Gate Socket	48	\$9.93ea.	n/a	\$12.91ea.	n/a

Part No.	Pop Rivets	Qty.	White: 01	Almond: 03	Clay: 04	Black: 07
996500000-**	Pop Rivets	4000	\$9.93ea.	n/a	\$12.91 ea.	n/a

OUTDOOR LED LIGHTING



Create stunning focal points and add atmosphere and safety to your outdoor living space with lighting. Our lighting is designed to pair with railing for a beautiful, seamless look. Post cap and accent lights are made from diecast aluminum and powder-coated to match our vinyl railing and posts exactly. The high-quality coating means that the lights will retain their good looks for years.

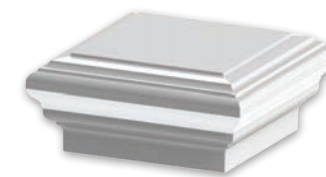
Superior's electrical engineers and experts have refined our lights for a long-lasting and easy-to-use system that brings exceptional outdoor lighting to your deck or porch.

Important Notifications:
Qty. indicates Box or Skid quantities. The ** in Part Number represents the color codes. Fencing sections do not include posts or caps.

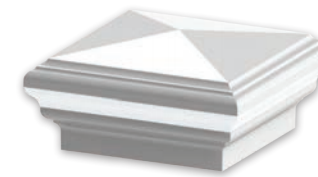
Terms: Net 30 days to approved accounts. Otherwise: Cash, check or money order. Prices F.O.B. New Holland, PA / Prices subject to change without notice.



PLACID POINT LIGHTING



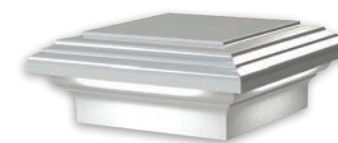
4" Decorative
Post Cap Light



4" Pyramid
Post Cap Light

POST CAP LIGHTS

- Frosted lens diffuses light outward
- Create stunning effects around decks and yard
- Cap size available for 4" Posts
- Adapter available to fit 5" Posts
- 2.4 watt 3000k LED



4" Decorative
Post Cap Down Light



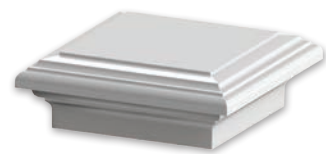
4" Pyramid
Post Cap Down Light

POST CAP DOWNLIGHTS

- Features 4 lights shining downward
- Our brightest light for maximum effect
- Cap size available for 4" Posts
- Adapter available to fit 5" Posts
- .96 watt 3000k LED

Part No.	Post Cap Lights	Qty.	White: 01	Almond: 03	Clay: 04	Black: 07
912327400-**	4" Decorative Post Cap Light	8	\$83.78 ea.	\$104.73 ea.	\$104.73 ea.	\$83.78 ea.
912329400-**	4" Pyramid Post Cap Light	8	\$83.78 ea.	\$104.73 ea.	\$104.73 ea.	\$83.78 ea.

Part No.	Post Cap Down Lights	Qty.	White: 01	Almond: 03	Clay: 04	Black: 07
912318400-**	4" Decorative Post Cap Down Light	8	\$83.78 ea.	\$104.73 ea.	\$104.73 ea.	\$83.78 ea.
912320400-**	4" Pyramid Post Cap Down Light	8	\$83.78 ea.	\$104.73 ea.	\$104.73 ea.	\$83.78 ea.



4" Decorative Post Cap



4" Pyramid Post Cap

POST CAPS *(Without Lights)*

- Complements Placid Point lighting fixtures
- Perfect for additional options and layouts
- Creates economical price point for lighting projects
- Cap size available for 4" Posts
- Adapter available to fit 5" Posts



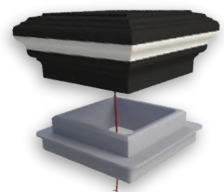
Post & Stair Accent Light



Post & Stair Accent Light

POST & STAIR ACCENT LIGHT

- Perfect for posts, stair risers or deck fascia
- Low-profile downlight with small footprint
- Safely lights decks, steps and walkways
- 2" wide x 1" high • .72 watt 3000k LED



5" Post Cap Adaptor (for 4" Post Caps)



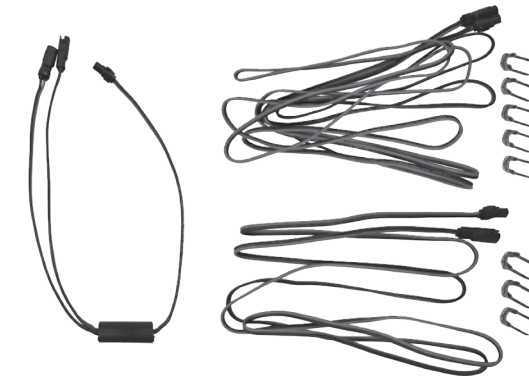
5" POST ADAPTERS

- Adapter available to fit 5" Posts
- Uses 4" Cap for 5" Post

Part No.	Post Caps (Without Lights)	Qty.	White: 01	Almond: 03	Clay: 04	Black: 07
912315400-**	4" Decorative Post Cap	8	\$31.74 ea.	\$39.68 ea.	\$39.68 ea.	\$31.74 ea.
912316400-**	4" Pyramid Post Cap	8	\$31.74 ea.	n/a	n/a	\$31.74 ea.

Part No.	Additional Accents	Qty.	White: 01	Almond: 03	Clay: 04	Black: 07
912341000-**	Post & Stair Accent Light	50	\$30.94 ea.	\$38.68 ea.	\$30.94 ea.	\$38.68 ea.

Part No.	Adaptors	Qty.	White: 01	Almond: 03	Clay: 04	Black: 07
912375050-**	5" Post Cap Adaptor	50	\$22.58 ea.	\$28.23 ea.	\$28.23 ea.	\$22.58 ea.



Post Light Wire Kit* (2-Way Splitter, 5' & 9' Wire Extension)

*not suitable for ground contact



Power Supply w/ Control Hub (Control Hub Shown)

Part No.	Lighting Accessories	Qty.	List
912360001-**	Post Light Wire Kit (2-Way Splitter, 5' & 9' Ext.)		\$46.19 ea.
912370002-**	2' Wire Extension		\$10.00 ea.
912370005-**	5' Wire Extension		\$13.91 ea.
912370009-**	9' Wire Extension		\$16.70 ea.
912372000-**	2-Way Wire Splitter		\$18.03 ea.
912373000-**	3-Way Wire Splitter		\$31.31 ea.

Part No.	Power Supplies	Qty.	White: 01	Almond: 03	Clay: 04	Black: 07
912350060-**	60 Watt Power Supply (w/Control Hub)		\$268.03 ea.	\$335.04 ea.	\$335.04 ea.	\$268.03 ea.

WHAT MAKES OUR VINYL SUPERIOR?

Our focus is on being a premium product and we don't compromise on quality. That means no skimping on wall thickness or adding cheap fillers to our vinyl. Long-term customer satisfaction is our goal.

The answer lies in both the composition of our product *and* the unique details we manage to make life easier for our customers.

Superior Plastic Products is a manufacturer. We don't buy our vinyl, we make it. If there's a quality control issue or a machine malfunction, we don't have to wait for someone else to fix it—we do it ourselves. And if an item doesn't meet our quality standards, we don't send it to our customers.



MANUFACTURED IN THE USA

Superior products are proudly designed and manufactured in the USA to ensure a quality fit and finish.

SUPERIOR PRODUCT COMPOSITION

- TiO₂ levels are some of the highest in the industry, giving our white vinyl its clean white appearance and helping to maintain all of our colors
- UV inhibitors help limit color fading
- Impact modifiers provide flexibility to keep our vinyl from cracking or shattering
- Co-extrusion process puts a high-quality virgin cap, made from our custom blend of materials, over a strong substrate for long-lasting good looks





SUPERIOR[™]
PLASTIC PRODUCTS



[superiorplasticproducts.com](https://www.superiorplasticproducts.com)

260 Jalyn Drive, New Holland, PA 17557

Toll Free: 1-800-633-7093

© 2023 Superior Plastic Products | SPPPB230310