



**SUPERIOR**<sup>™</sup>  
PLASTIC PRODUCTS

# 2023 VINYL RAILING LIST PRICE BOOK



# ABOUT THE COMPANY



We are honored by your interest in Superior Plastic Products.

Our team here at Superior is committed to supplying quality fencing and railing products to help you create beautiful, livable outdoor spaces. We take pride in our work and delight in serving your needs. From our plant in New Holland, Pennsylvania to job sites across North America, we trust our team's commitment to quality is evident.

We appreciate you taking the time to browse this book and see what Superior has to offer to you and your customers. Partnerships with businesses like yours are the key to our success, and we look forward to supplying you with the quality products that have made Superior a leader in low-maintenance outdoor products for over 40 years.

With our gratitude,  
 Javan Lapp  
 CEO



Superior Plastic Products  
 Corporate Headquarters

# TABLE OF CONTENTS

<b>COMPANY INFORMATION</b> .....	<b>4-7</b>
<b>200 SERIES</b> .....	<b>8-21</b>
Model Railing .....	10-13
York Railing .....	14-17
Witmer Railing .....	18-19
Madison Railing .....	20-21
<b>400 SERIES</b> .....	<b>22-38</b>
Model Railing .....	24-27
York Railing .....	28-31
Witmer Railing .....	32-33
Horizontal Cable Railing .....	34-38
<b>1000 SERIES</b> .....	<b>40-64</b>
Madison Railing .....	42-47
Model Railing .....	48-53
Traditional Railing .....	54-57
York Railing .....	58-61
Witmer Railing .....	62-63
<b>3000 SERIES</b> .....	<b>66-90</b>
Madison Railing .....	68-73
Model Railing .....	74-79
Traditional Railing .....	80-83
York Railing .....	84-87
Witmer Railing .....	88-89
Bend Sections .....	90
<b>5000 SERIES</b> .....	<b>92-98</b>
Vintage Railing .....	94-97
Bend Sections .....	98
<b>ADA COMPLIANT HANDRAIL</b> .....	<b>100-101</b>
<b>COLUMNS • POSTS • SLEEVES</b> .....	<b>102-114</b>
Structural and Hollow Columns .....	103-104
Structural and Hollow Posts .....	105-107
Gazebo and Shed Posts .....	108
Column and Porch Post Plates & Spacers .....	109
Newel Posts .....	110
Post Sleeves .....	111
Post Wrap .....	112
Post Mounts .....	113-114
<b>ACCESSORIES</b> .....	<b>116-127</b>
Post Caps & Post Trim .....	117-118
Mounting Brackets & Wedges .....	119-121
Balusters .....	122-123
Rail Stabilizers and Sleeve Overs .....	124
Trim Railing .....	125
Fasteners & Tools .....	126
Glue & Packaging Supplies .....	127
<b>GATE HARDWARE</b> .....	<b>128-135</b>
Dependa-Bull Hardware .....	129-130
D&D Technologies .....	131-132
Post Inserts, Pipe Clamps, Gate Blocks, Gate Sockets .....	133-135
<b>PLACID POINT LIGHTING</b> .....	<b>136-139</b>

Prices effective: March 20, 2023

Terms: Net 30 days to approved accounts / Otherwise: Cash, check or money order

Prices F.O.B. New Holland, PA

Prices subject to change without notice.

# DELIVERY - SALES ORDER PROCEDURE

Your multiplier is x \_\_\_\_\_

Dear Customer,

We are pleased to inform you of our delivery schedule. We deliver to your area weekly/biweekly on a \_\_\_\_\_  
 Your minimum order amount for free delivery is \$ \_\_\_\_\_.  
 If you do not meet the minimum \$ \_\_\_\_\_ there will be a \$ \_\_\_\_\_ delivery fee.

Find order procedure and cutoff time below:

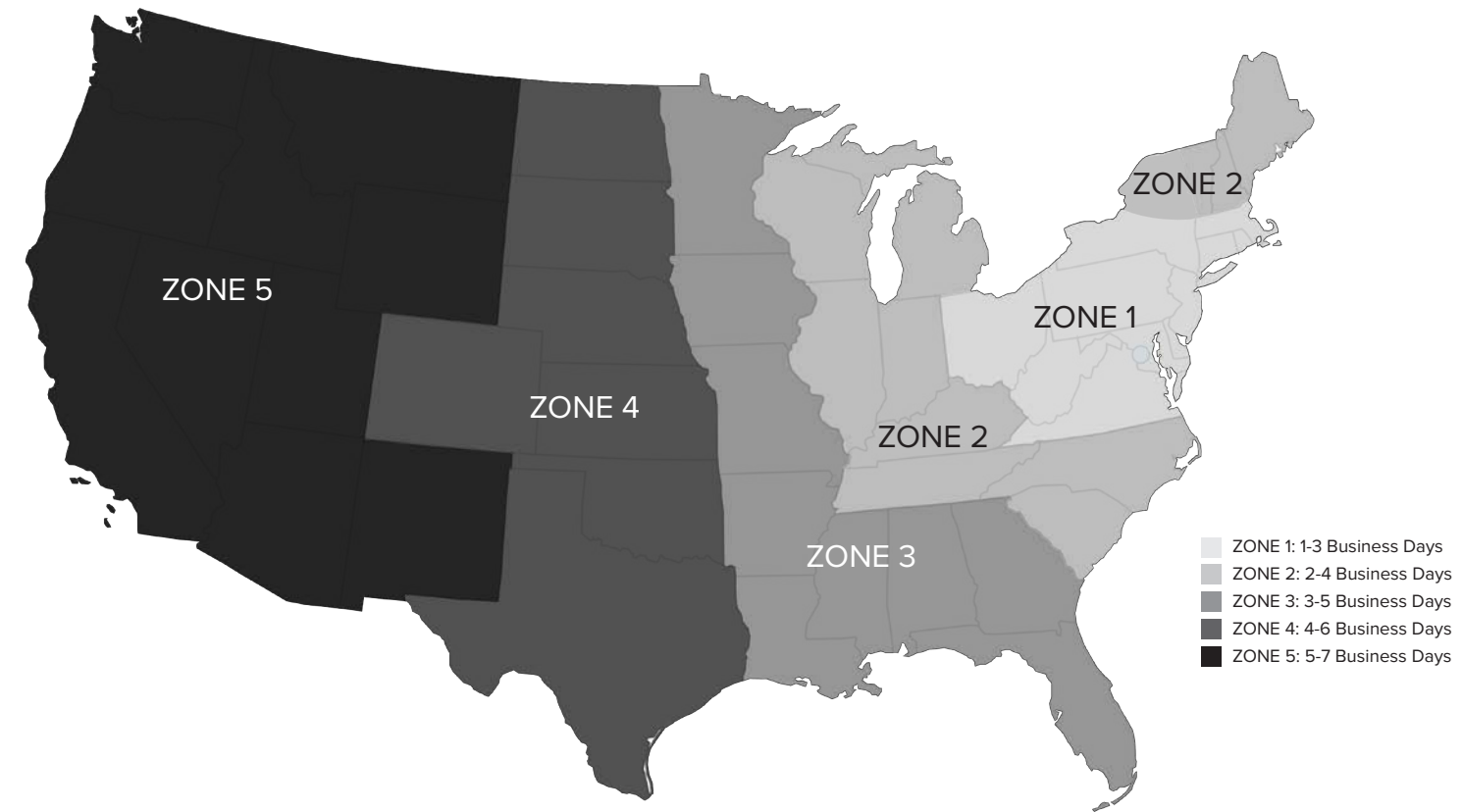
To minimize errors and omissions on customer deliveries, the following Sales Order procedure is required for orders being shipped with Superior trucks:

- We desire to fill all customer orders in as timely a manner as possible. To help us to do so, please place your order as soon as possible. Your next available delivery date will be confirmed on your order acknowledgement.
- Minimum order for delivery by Superior Hauling is \$100.
- Customers with past due accounts need to have their orders in and approved by our accounting department at least three days prior to their scheduled delivery day.
- **Please note that non-standard special orders may require an additional cost, please call for pricing.**
- The dates below may affect your lead times, depending on products ordered. If you are placing an order around a company closure, please call us to determine how your lead times will be affected.

## 2023 SCHEDULE FOR HOLIDAYS & CLOSURES

Date	Day of the Week	Event	Notes
January 2, 2023	Monday	New Year's Day (obs.)	All Companies Closed
April 7, 2023	Friday	Good Friday	All Companies Closed
May 29, 2023	Monday	Memorial Day	All Companies Closed
July 4, 2023	Tuesday	Independence Day	All Companies Closed
July 28, 2023	Friday	Family Picnic	All Companies Closed
September 4, 2023	Monday	Labor Day	All Companies Closed
November 17, 2023	Friday	Thanksgiving Banquet	All Companies Closed Half Day
November 23, 2023	Thursday	Thanksgiving	All Companies Closed
November 24, 2023	Friday	Floating Holiday	All Companies Closed
December 22, 2023	Friday	Christmas Eve (obs.)	All Companies Closed Half Day
December 25, 2023	Monday	Christmas Day	All Companies Closed
January 1, 2024	Monday	New Year's Day	All Companies Closed

# MOTOR FREIGHT SHIPPING



**\*\*Prices subject to change without notice due to fluctuation in the cost of freight.\*\***

<p><b>Zone 1 (PA, NY (South of I-90), MA, RI, CT, NJ, DE, MD, VA, WV, OH)</b></p> <p>\$200 - \$499 ..... \$150 **                  \$500 - \$2,999.....\$230 **                  \$3,000 - \$5,999 ..... \$475 **                  Over \$6,000..... Call for quote</p>	<p><b>Zone 3 (MN, IA, MO, AR, LA, MS, AL, GA, FL)</b></p> <p>\$200 - \$499 ..... \$290 **                  \$500 - \$2,999.....\$330 **                  \$3,000 - \$5,999 ..... \$600 **                  \$6,000 - \$9,999 ..... \$800 **                  Over \$10,000..... Call for quote</p>	<p><b>Zone 5 (MT, WY, ID, UT, NV, AZ, WA, OR, CA)</b></p> <p>\$200 - \$499 .....\$430 **                  \$500 - \$2,999.....\$500 **                  \$3,000 - \$5,999 .....\$785 **                  \$6,000 - \$9,999 ..... \$1,100 **                  Over \$10,000..... Call for quote</p>
<p><b>Zone 2 (NY (North of I-90), VT, NH, ME, MI, WI, IL, IN, KY, TN, NC, SC)</b></p> <p>\$200 - \$499 .....\$190 **                  \$500 - \$2,999.....\$250 **                  \$3,000 - \$5,999 ..... \$475 **                  \$6,000 - \$9,999 ..... \$500 **                  Over \$10,000..... Call for quote</p>	<p><b>Zone 4 (ND, SD, NE, KS, OK, TX, CO, NM)</b></p> <p>\$200 - \$499 .....\$340 **                  \$500 - \$2,999.....\$400 **                  \$3,000 - \$5,999 ..... \$650 **                  \$6,000 - \$9,999 .....\$965 **                  Over \$10,000..... Call for quote</p>	<p><b>**Additional Costs:</b>                  \$135 for Residential Delivery                  \$110 for 8' sections or longer                  \$210 for 12' sections or longer                  \$420 for 20' sections or longer</p> <p><b>**Does not apply for Raw Material Profile orders, please contact us for a quote. (Does not apply to the Superior Hauling delivery program.)</b></p>

The following procedures will apply and must be followed on all requested returns:

1. A 15% restocking fee will be applied to all returned material that is received its original condition and packaging, and suitable for resale.
2. White sections with Model and York balusters are considered standard in 200, 3000 series, 36" high only. All other colors and balusters styles are considered non-standard and are not returnable.
3. All gates are not eligible for returns or credits.
4. All returned materials are subject to inspection and approval upon return to Superior Plastic Products.

If you have any questions please call our Customer Success department at (800) 633-7093

### superiorplasticproducts.com

Please visit our website, [superiorplasticproducts.com](http://superiorplasticproducts.com), to find helpful resource downloads and videos.

#### ► WARRANTY & MAINTENANCE

- Warranty Information
- Warranty Registration
- Warranty Claim Form
- Vinyl Cleaning Guide

#### ► BROCHURES

- Vinyl Railing Brochure
- Vinyl Fencing Brochure
- Vinyl Pergolas Brochure
- Placid Point Lighting Brochure

#### ► ARCAT

- ARCAT Profile
- ARCAT CAD Drawings
- ARCAT Specs
- ARCAT LEED Rating

#### ► INSTALL GUIDES

- Railing Install Guides
- Fencing Install Guides
- Accessories Install Guides

#### ► EDUCATIONAL DOCUMENTS

- White Papers
- Insider Tips for Cleaning Vinyl
- Long-Lasting Outdoor Living Style
- General Pool Code Tips
- Helpful Tips for Contractors

DOWNLOADS →



# 200 SERIES

The unique design of the 200 Series makes it stand out among other railings. With its flat top, rounded sides, and classic good looks, the 200 Series can go almost anywhere.

## COLORS

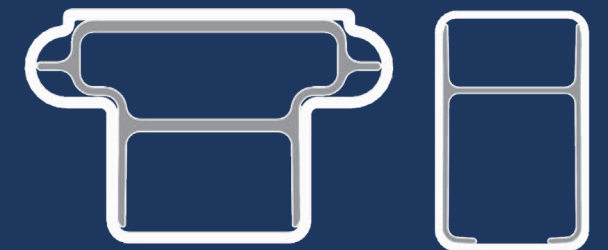


WHITE

CLAY

BLACK

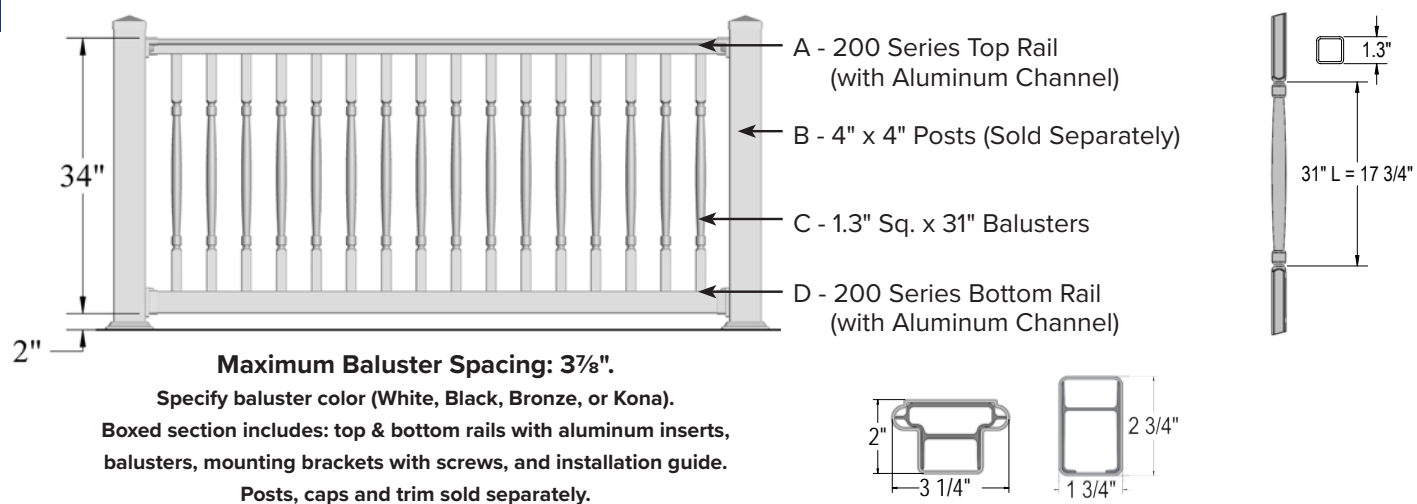
## PROFILE



**Important Notifications:**  
*Qty.* indicates Box or Skid quantities. The \*\* in Part Number represents the color codes. 200 series railing sections do not include posts, caps or trim.

Terms: Net 30 days to approved accounts. Otherwise: Cash, check or money order. Prices F.O.B. New Holland, PA / Prices subject to change without notice.

# 200 SERIES - 36" MADISON RAILING



Part No.	36" High Level Madison Railing	Qty.	White: 01	Clay: 04	Black: 07
120311365-**	5' Level Boxed Section	30	\$182.95 ea.	\$237.84 ea.	\$265.28 ea.
120311366-**	6' Level Boxed Section	30	\$219.54 ea.	\$285.40 ea.	\$318.33 ea.
120311367-**	7' Level Boxed Section	30	\$256.11 ea.	\$332.95 ea.	\$371.36 ea.
120311368-**	8' Level Boxed Section	30	\$292.73 ea.	\$380.54 ea.	\$424.45 ea.
120311361-**	10' Level Boxed Section	30	\$365.87 ea.	\$475.63 ea.	\$530.51 ea.

Part No.	36" High Stair Madison Railing	Qty.	White: 01	Clay: 04	Black: 07
120312366-**	6' Stair Boxed Section (32°-36°)	30	\$219.54 ea.	\$285.40 ea.	\$318.33 ea.
120312368-**	8' Stair Boxed Section (32°-36°)	30	\$292.73 ea.	\$380.54 ea.	\$424.45 ea.

Part No.	Mounting Brackets (200 Series)	Qty.	White: 01	Clay: 04	Black: 07
930120400-**	Level Rail, (4/Pk)	42	\$25.06 pk.	\$32.58 pk.	\$36.34 pk.
930220400-**	Stair Rail, 32°-36° (4/Pk)	42	\$25.06 pk.	\$32.58 pk.	\$36.34 pk.
930220004-**	Universal Stair Rail, 0° - 45° (4/Pk)	42	\$25.06 pk.	\$32.58 pk.	\$36.34 pk.

Part No.	36" High Madison Gates (Hardware not included)	Qty.	White: 01	Clay: 04	Black: 07
120330360-**	36" Wide Gate (Unassembled)		\$272.00 ea.	\$353.60 ea.	\$394.40 ea.
120330360-**	42" Wide Gate (Unassembled)		\$285.62 ea.	\$371.30 ea.	\$414.14 ea.
120330360-**	48" Wide Gate (Unassembled)		\$303.61 ea.	\$394.69 ea.	\$440.23 ea.

Part No.	Gate Hardware	Qty.	White: 01	Black: 07
933000000-**	Residential Hinge	12	n/a	\$100.54 set
933010000-**	Residential Latch	24	n/a	\$47.66 ea.
930302120-**	Regular Multi-Adjust Hinge (TCAMA2)	20	\$148.11 set	\$148.11 set
930312010-**	Lockable Latch S2 (LLAA)	20	\$74.23 ea.	\$74.23 ea.

# ACCESSORIES

### Newel Posts

(more options: see Columns • Posts • Sleeves)

Plain

### Post Trim

Plain  
Classic  
Modular

### Post Mounts

(more options: see Columns • Posts • Sleeves)

8436G-NT  
8436G-PP  
8436G-AD

### Post Caps

Flat  
New York  
New England  
Ball  
N.E. Ball  
Queen  
King

Part No.	Newel Posts	Qty.	White: 01	Clay: 04	Black: 07
211504395-**	4" x 39" Plain (.115 Wall)	50	\$18.51 ea.	n/a	\$26.84 ea.
211504485-**	4" x 48" Plain (.115 Wall)	50	\$22.79 ea.	n/a	n/a
211504390-**	4" x 39" Plain (.150 Wall)	50	\$22.16 ea.	\$28.81 ea.	\$32.13 ea.
211504480-**	4" x 48" Plain (.150 Wall)	50	\$27.26 ea.	\$35.44 ea.	\$39.53 ea.
211504540-**	4" x 54" Plain (.150 Wall)	50	\$30.68 ea.	\$39.88 ea.	\$44.48 ea.
210304380-**	4" x 38" Madison Newel Post	60	\$57.43 ea.	\$74.66 ea.	n/a
210304540-**	4" x 54" Madison Newel Post (Stair)	60	\$83.39 ea.	\$108.41 ea.	n/a

Part No.	Post Caps	Qty.	White: 01	Clay: 04	Black: 07
910010400-**	4" Flat Cap	210	\$4.59 ea.	\$5.97 ea.	\$6.66 ea.
910011400-**	4" New York Cap	60	\$7.34 ea.	\$9.54 ea.	n/a
910012400-**	4" New England Cap	32	\$14.71 ea.	\$19.12 ea.	\$21.33 ea.
910020400-**	4" Ball Cap	30	\$14.71 ea.	\$19.12 ea.	n/a
910022400-**	4" New England Ball Cap	32	\$20.85 ea.	\$27.11 ea.	n/a
910023400-**	4" Queen Cap	10	\$25.10 ea.	n/a	n/a
910024400-**	4" King Cap	30	\$25.10 ea.	n/a	n/a

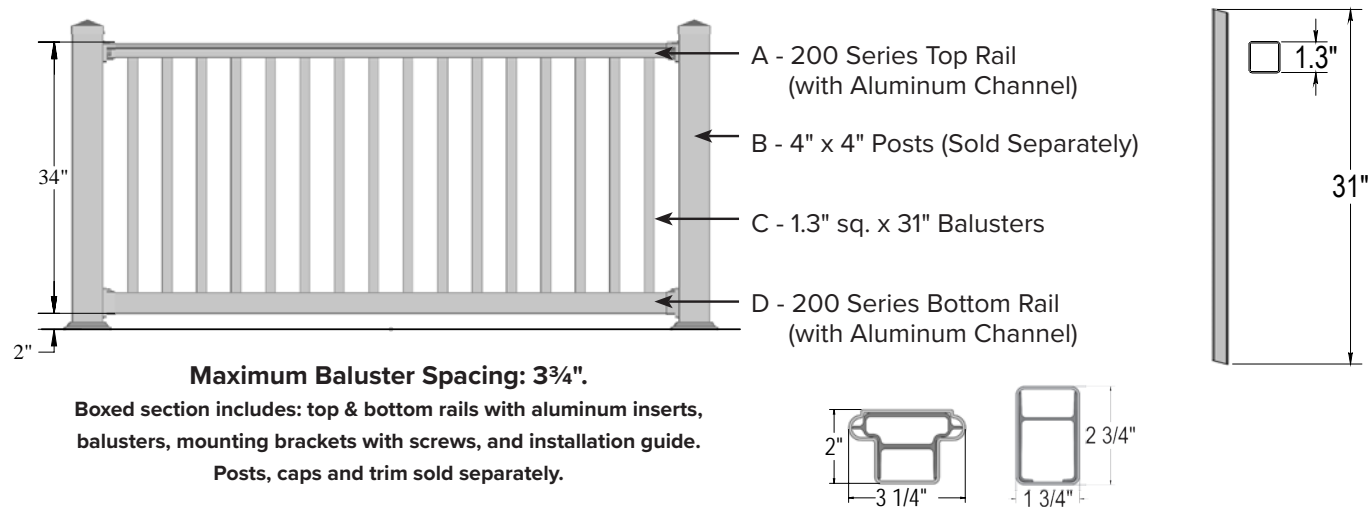
Part No.	Post Trim	Qty.	White: 01	Clay: 04	Black: 07
950000400-**	4" Plain Post Trim	200	\$6.23 ea.	\$8.10 ea.	\$9.03 ea.
950020400-**	4" Classic Post Trim	32	\$7.15 ea.	\$9.30 ea.	\$10.37 ea.
950030400-**	4" Modular Trim Set (4-Pcs.)	60	\$19.30 ea.	n/a	n/a

Part No.	Post Mounts	Qty.	List
940843621-**	4" x 36" (4-Lag) 8436G-NT	100	\$81.78 ea.
940843627-**	4" x 36" Plumb Perfect Pro 8436G-PP	110	\$96.33 ea.
940843628-**	4" x 36" Plumb Perfect Advantage 8436G-AD	110	\$83.89 ea.

Both Plumb Perfect Post Mounts are not compatible with 54" Molded Newel Posts.

Plumb Perfect Advantage Post Mounts are not compatible with any 4" Molded Newel Posts.

## 200 SERIES - 36" MODEL RAILING



Part No.	36" High Level Model Railing	Qty.	White: 01	Clay: 04	Black: 07
121511365-**	5' Level Boxed Section	30	\$142.72 ea.	\$185.54 ea.	\$206.95 ea.
121511366-**	6' Level Boxed Section	30	\$171.28 ea.	\$222.66 ea.	\$248.35 ea.
121511367-**	7' Level Boxed Section	30	\$199.81 ea.	\$259.75 ea.	\$289.72 ea.
121511368-**	8' Level Boxed Section	30	\$228.37 ea.	\$296.88 ea.	\$331.13 ea.
121511361-**	10' Level Boxed Section	30	\$285.45 ea.	\$371.09 ea.	\$413.91 ea.

Part No.	36" High Stair Model Railing	Qty.	White: 01	Clay: 04	Black: 07
121512366-**	6' Stair Boxed Section (32°-36°)	30	\$171.28 ea.	\$222.66 ea.	\$248.35 ea.
121512368-**	8' Stair Boxed Section (32°-36°)	30	\$228.37 ea.	\$296.88 ea.	\$331.13 ea.

Part No.	Mounting Brackets (200 Series)	Qty.	White: 01	Clay: 04	Black: 07
930120400-**	Level Rail, (4/Pk)	42	\$25.06 pk.	\$32.58 pk.	\$36.34 pk.
930220400-**	Stair Rail, 32°-36° (4/Pk)	42	\$25.06 pk.	\$32.58 pk.	\$36.34 pk.
930220004-**	Universal Stair Rail, 0° - 45° (4/Pk)	42	\$25.06 pk.	\$32.58 pk.	\$36.34 pk.

Part No.	36" High Model Gates (Hardware not included)	Qty.	White: 01	Clay: 04	Black: 07
121530360-**	36" Wide Gate (Unassembled)		\$212.81 ea.	\$276.66 ea.	\$308.58 ea.
121530360-**	42" Wide Gate (Unassembled)		\$223.48 ea.	\$290.52 ea.	\$324.04 ea.
121530360-**	48" Wide Gate (Unassembled)		\$234.64 ea.	\$305.03 ea.	\$340.23 ea.

Part No.	Gate Hardware	Qty.	White: 01	Black: 07
933000000-**	Residential Hinge	12	n/a	\$100.54 set
933010000-**	Residential Latch	24	n/a	\$47.66 ea.
930302120-**	Regular Multi-Adjust Hinge (TCAMA2)	20	\$148.11 set	\$148.11 set
930312010-**	Lockable Latch S2 (LLAA)	20	\$74.23 ea.	\$74.23 ea.

## ACCESSORIES

### Newel Posts

(more options: see Columns • Posts • Sleeves)

Plain

### Post Trim

Plain  
Classic  
Modular

### Post Mounts

(more options: see Columns • Posts • Sleeves)

8436G-NT    8436G-PP    8436G-AD

### Post Caps

Flat    New York    New England    Ball    N.E. Ball    Queen    King

Part No.	Newel Posts	Qty.	White: 01	Clay: 04	Black: 07
211504395-**	4" x 39" Plain (.115 Wall)	50	\$18.51 ea.	n/a	\$26.84 ea.
211504485-**	4" x 48" Plain (.115 Wall)	50	\$22.79 ea.	n/a	n/a
211504390-**	4" x 39" Plain (.150 Wall)	50	\$22.16 ea.	\$28.81 ea.	\$32.13 ea.
211504480-**	4" x 48" Plain (.150 Wall)	50	\$27.26 ea.	\$35.44 ea.	\$39.53 ea.
211504540-**	4" x 54" Plain (.150 Wall)	50	\$30.68 ea.	\$39.88 ea.	\$44.48 ea.

Part No.	Post Caps	Qty.	White: 01	Clay: 04	Black: 07
910010400-**	4" Flat Cap	210	\$4.59 ea.	\$5.97 ea.	\$6.66 ea.
910011400-**	4" New York Cap	60	\$7.34 ea.	\$9.54 ea.	n/a
910012400-**	4" New England Cap	32	\$14.71 ea.	\$19.12 ea.	\$21.33 ea.
910020400-**	4" Ball Cap	30	\$14.71 ea.	\$19.12 ea.	n/a
910022400-**	4" New England Ball Cap	32	\$20.85 ea.	\$27.11 ea.	n/a
910023400-**	4" Queen Cap	10	\$25.10 ea.	n/a	n/a
910024400-**	4" King Cap	30	\$25.10 ea.	n/a	n/a

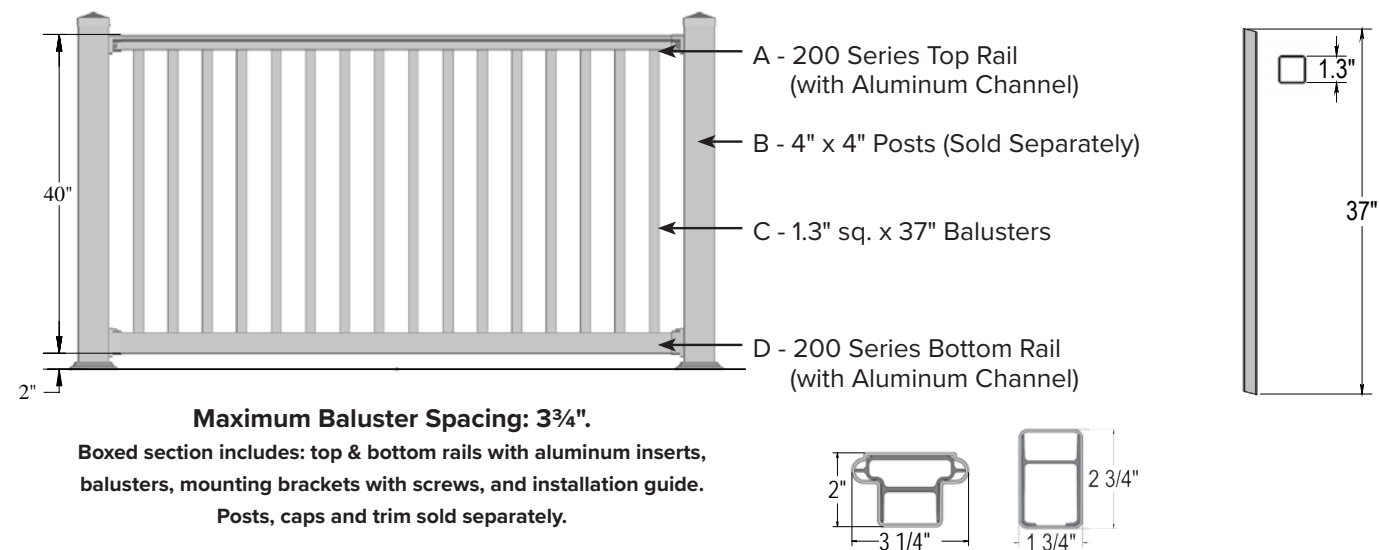
Part No.	Post Trim	Qty.	White: 01	Clay: 04	Black: 07
950000400-**	4" Plain Post Trim	200	\$6.23 ea.	\$8.10 ea.	\$9.03 ea.
950020400-**	4" Classic Post Trim	32	\$7.15 ea.	\$9.30 ea.	\$10.37 ea.
950030400-**	4" Modular Trim Set (4-Pcs.)	60	\$19.30 ea.	n/a	n/a

Part No.	Post Mounts	Qty.	List
940843621-**	4" x 36" (4-Lag) 8436G-NT	100	\$81.78 ea.
940843627-**	4" x 36" Plumb Perfect Pro 8436G-PP	110	\$96.33 ea.
940843628-**	4" x 36" Plumb Perfect Advantage 8436G-AD	110	\$83.89 ea.

Both Plumb Perfect Post Mounts are not compatible with 54" Molded Newel Posts.

Plumb Perfect Advantage Post Mounts are not compatible with any 4" Molded Newel Posts.

# 200 SERIES - 42" MODEL RAILING



Part No.	42" High Level Model Railing	Qty.	White: 01	Clay: 04	Black: 07
121511425-**	5' Level Boxed Section	30	\$151.32 ea.	\$196.71 ea.	\$219.41 ea.
121511426-**	6' Level Boxed Section	30	\$181.58 ea.	\$236.06 ea.	\$263.30 ea.
121511427-**	7' Level Boxed Section	30	\$211.83 ea.	\$275.38 ea.	\$307.16 ea.
121511428-**	8' Level Boxed Section	30	\$242.12 ea.	\$314.75 ea.	\$351.07 ea.
121511421-**	10' Level Boxed Section	30	\$302.62 ea.	\$393.40 ea.	\$438.79 ea.

Part No.	42" High Stair Model Railing	Qty.	White: 01	Clay: 04	Black: 07
121512426-**	6' Stair Boxed Section (32°-36°)	30	\$181.58 ea.	\$236.06 ea.	\$263.30 ea.
121512428-**	8' Stair Boxed Section (32°-36°)	30	\$242.12 ea.	\$314.75 ea.	\$351.07 ea.

Part No.	Mounting Brackets (200 Series)	Qty.	White: 01	Clay: 04	Black: 07
930120400-**	Level Rail, (4/Pk)	42	\$25.06 pk.	\$32.58 pk.	\$36.34 pk.
930220400-**	Stair Rail, 32°-36° (4/Pk)	42	\$25.06 pk.	\$32.58 pk.	\$36.34 pk.
930220004-**	Universal Stair Rail, 0° - 45° (4/Pk)	42	\$25.06 pk.	\$32.58 pk.	\$36.34 pk.

Part No.	42" High Model Gates (Hardware not included)	Qty.	White: 01	Clay: 04	Black: 07
121530420-**	36" Wide Gate (Unassembled)		\$224.91 ea.	\$292.38 ea.	\$326.12 ea.
121530420-**	42" Wide Gate (Unassembled)		\$236.16 ea.	\$307.01 ea.	\$342.43 ea.
121530420-**	48" Wide Gate (Unassembled)		\$247.97 ea.	\$322.36 ea.	\$359.55 ea.

Part No.	Gate Hardware	Qty.	White: 01	Black: 07
933000000-**	Residential Hinge	12	n/a	\$100.54 set
933010000-**	Residential Latch	24	n/a	\$47.66 ea.
930302120-**	Regular Multi-Adjust Hinge (TCAMA2)	20	\$148.11 set	\$148.11 set
930312010-**	Lockable Latch S2 (LLAA)	20	\$74.23 ea.	\$74.23 ea.

# ACCESSORIES

### Newel Posts

(more options: see Columns • Posts • Sleeves)

Plain

### Post Trim

Plain  
Classic  
Modular

### Post Mounts

(more options: see Columns • Posts • Sleeves)

8436G-NT 8442G-NT 8436G-PP 8436G-AD Adapter Block

### Post Caps

Flat New York New England Ball N.E. Ball Queen King

Part No.	Newel Posts	Qty.	White: 01	Clay: 04	Black: 07
211504485-**	4" x 48" Plain (.115 Wall)	50	\$22.79 ea.	n/a	n/a
211504545-**	4" x 54" Plain (.115 Wall)	50	\$25.63 ea.	n/a	n/a
211504480-**	4" x 48" Plain (.150 Wall)	50	\$27.26 ea.	\$35.44 ea.	\$39.53 ea.
211504540-**	4" x 54" Plain (.150 Wall)	50	\$30.68 ea.	\$39.88 ea.	\$44.48 ea.

Part No.	Post Caps	Qty.	White: 01	Clay: 04	Black: 07
910010400-**	4" Flat Cap	210	\$4.59 ea.	\$5.97 ea.	\$6.66 ea.
910011400-**	4" New York Cap	60	\$7.34 ea.	\$9.54 ea.	n/a
910012400-**	4" New England Cap	32	\$14.71 ea.	\$19.12 ea.	\$21.33 ea.
910020400-**	4" Ball Cap	30	\$14.71 ea.	\$19.12 ea.	n/a
910022400-**	4" New England Ball Cap	32	\$20.85 ea.	\$27.11 ea.	n/a
910023400-**	4" Queen Cap	10	\$25.10 ea.	n/a	n/a
910024400-**	4" King Cap	30	\$25.10 ea.	n/a	n/a

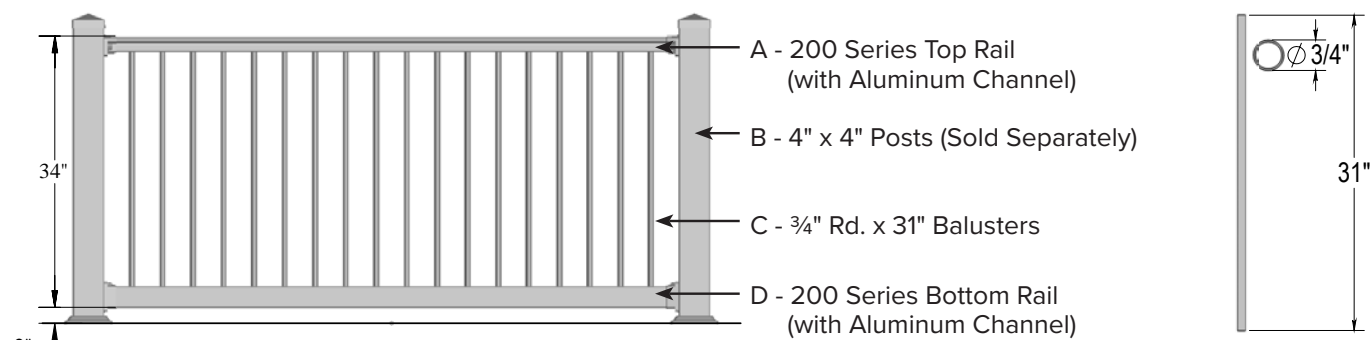
Part No.	Post Trim	Qty.	White: 01	Clay: 04	Black: 07
950000400-**	4" Plain Post Trim	200	\$6.23 ea.	\$8.10 ea.	\$9.03 ea.
950020400-**	4" Classic Post Trim	32	\$7.15 ea.	\$9.30 ea.	\$10.37 ea.
950030400-**	4" Modular Trim Set (4-Pcs.)	60	\$19.30 ea.	n/a	n/a

Part No.	Post Mounts	Qty.	List
940843621-**	4" x 36" (4-Lag) 8436G-NT	100	\$81.78 ea.
940844221-**	4" x 42" (4-Lag) 8442G-NT	100	\$87.41 ea.
940843627-**	4" x 36" Plumb Perfect Pro 8436G-PP	110	\$96.33 ea.
940843628-**	4" x 36" Plumb Perfect Advantage 8436G-AD	110	\$83.89 ea.
940044207-**	Plumb Perfect Adapter Block for 42" High Railing	50	\$19.02 ea.

Both Plumb Perfect Post Mounts are not compatible with 54" Molded Newel Posts.  
 Plumb Perfect Advantage Post Mounts are not compatible with any 4" Molded Newel Posts.



## 200 SERIES - 36" YORK RAILING

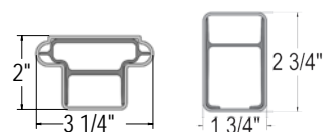


**Maximum Baluster Spacing: 3 7/8".**

Specify baluster color (White, Black, Bronze, or Kona).

Boxed section includes: top & bottom rails with aluminum inserts, balusters, mounting brackets with screws, and installation guide.

Posts, caps and trim sold separately.



Part No.	36" High Level York Railing	Qty.	White: 01	Clay: 04	Black: 07
122511365-**	5' Level Boxed Section	30	\$182.95 ea.	\$237.84 ea.	\$265.28 ea.
122511366-**	6' Level Boxed Section	30	\$219.54 ea.	\$285.40 ea.	\$318.33 ea.
122511367-**	7' Level Boxed Section	30	\$256.11 ea.	\$332.95 ea.	\$371.36 ea.
122511368-**	8' Level Boxed Section	30	\$292.73 ea.	\$380.54 ea.	\$424.45 ea.
122511361-**	10' Level Boxed Section	30	\$365.87 ea.	\$475.63 ea.	\$530.51 ea.

Part No.	36" High Stair York Railing	Qty.	White: 01	Clay: 04	Black: 07
122512366-**	6' Stair Boxed Section (32°-36°)	30	\$219.54 ea.	\$285.40 ea.	\$318.33 ea.
122512368-**	8' Stair Boxed Section (32°-36°)	30	\$292.73 ea.	\$380.54 ea.	\$424.45 ea.

Part No.	Mounting Brackets (200 Series)	Qty.	White: 01	Clay: 04	Black: 07
930120400-**	Level Rail, (4/Pk)	42	\$25.06 pk.	\$32.58 pk.	\$36.34 pk.
930220400-**	Stair Rail, 32°-36° (4/Pk)	42	\$25.06 pk.	\$32.58 pk.	\$36.34 pk.
930220004-**	Universal Stair Rail, 0° - 45° (4/Pk)	42	\$25.06 pk.	\$32.58 pk.	\$36.34 pk.

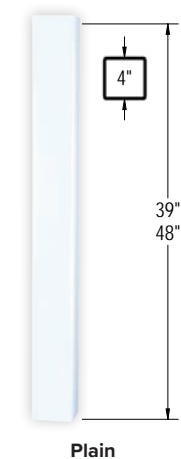
Part No.	36" High York Gates (Hardware not included)	Qty.	White: 01	Clay: 04	Black: 07
122530360-**	36" Wide Gate (Unassembled)		\$272.01 ea.	\$353.61 ea.	\$394.41 ea.
122530360-**	42" Wide Gate (Unassembled)		\$285.63 ea.	\$371.32 ea.	\$414.17 ea.
122530360-**	48" Wide Gate (Unassembled)		\$299.92 ea.	\$389.89 ea.	\$434.88 ea.

Part No.	Gate Hardware	Qty.	White: 01	Black: 07
933000000-**	Residential Hinge	12	n/a	\$100.54 set
933010000-**	Residential Latch	24	n/a	\$47.66 ea.
930302120-**	Regular Multi-Adjust Hinge (TCAMA2)	20	\$148.11 set	\$148.11 set
930312010-**	Lockable Latch S2 (LLAA)	20	\$74.23 ea.	\$74.23 ea.

## ACCESSORIES

### Newel Posts

(more options: see Columns • Posts • Sleeves)

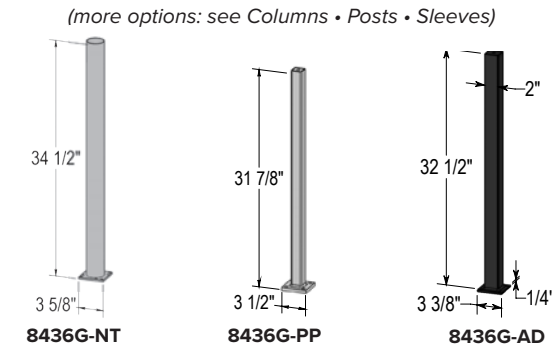


### Post Trim

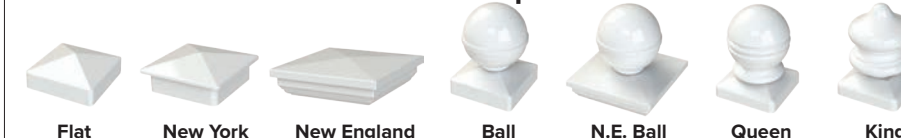


### Post Mounts

(more options: see Columns • Posts • Sleeves)



### Post Caps



Part No.	Newel Posts	Qty.	White: 01	Clay: 04	Black: 07
211504395-**	4" x 39" Plain (.115 Wall)	50	\$18.51 ea.	n/a	\$26.84 ea.
211504485-**	4" x 48" Plain (.115 Wall)	50	\$22.79 ea.	n/a	n/a
211504390-**	4" x 39" Plain (.150 Wall)	50	\$22.16 ea.	\$28.81 ea.	\$32.13 ea.
211504480-**	4" x 48" Plain (.150 Wall)	50	\$27.26 ea.	\$35.44 ea.	\$39.53 ea.
211504540-**	4" x 54" Plain (.150 Wall)	50	\$30.68 ea.	\$39.88 ea.	\$44.48 ea.

Part No.	Post Caps	Qty.	White: 01	Clay: 04	Black: 07
910010400-**	4" Flat Cap	210	\$4.59 ea.	\$5.97 ea.	\$6.66 ea.
910011400-**	4" New York Cap	60	\$7.34 ea.	\$9.54 ea.	n/a
910012400-**	4" New England Cap	32	\$14.71 ea.	\$19.12 ea.	\$21.33 ea.
910020400-**	4" Ball Cap	30	\$14.71 ea.	\$19.12 ea.	n/a
910022400-**	4" New England Ball Cap	32	\$20.85 ea.	\$27.11 ea.	n/a
910023400-**	4" Queen Cap	10	\$25.10 ea.	n/a	n/a
910024400-**	4" King Cap	30	\$25.10 ea.	n/a	n/a

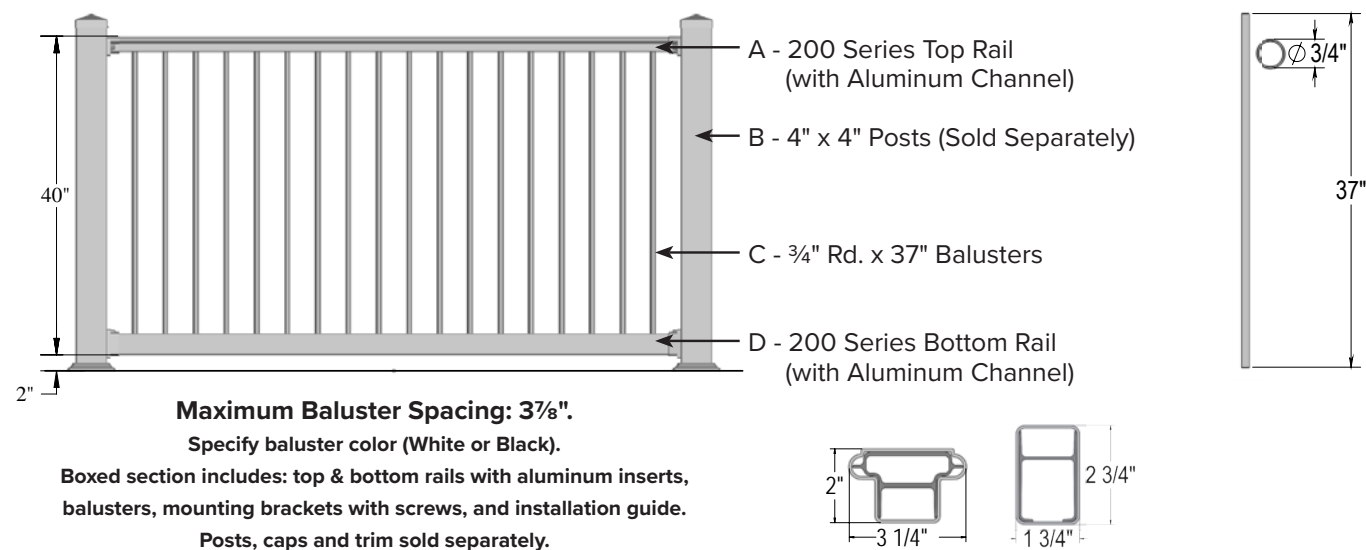
Part No.	Post Trim	Qty.	White: 01	Clay: 04	Black: 07
950000400-**	4" Plain Post Trim	200	\$6.23 ea.	\$8.10 ea.	\$9.03 ea.
950020400-**	4" Classic Post Trim	32	\$7.15 ea.	\$9.30 ea.	\$10.37 ea.
950030400-**	4" Modular Trim Set (4-Pcs.)	60	\$19.30 ea.	n/a	n/a

Part No.	Post Mounts	Qty.	List
940843621-**	4" x 36" (4-Lag) 8436G-NT	100	\$81.78 ea.
940843627-**	4" x 36" Plumb Perfect Pro 8436G-PP	110	\$96.33 ea.
940843628-**	4" x 36" Plumb Perfect Advantage 8436G-AD	110	\$83.89 ea.

Both Plumb Perfect Post Mounts are not compatible with 54" Molded Newel Posts.

Plumb Perfect Advantage Post Mounts are not compatible with any 4" Molded Newel Posts.

## 200 SERIES - 42" YORK RAILING



Part No.	42" High Level York Railing	Qty.	White: 01	Clay: 04	Black: 07
122511425-**	5' Level Boxed Section	30	\$193.95 ea.	\$252.14 ea.	\$281.23 ea.
122511426-**	6' Level Boxed Section	30	\$232.72 ea.	\$302.54 ea.	\$337.45 ea.
122511427-**	7' Level Boxed Section	30	\$271.54 ea.	\$353.00 ea.	\$393.73 ea.
122511428-**	8' Level Boxed Section	30	\$310.32 ea.	\$403.42 ea.	\$449.96 ea.
122511421-**	10' Level Boxed Section	30	\$387.90 ea.	\$504.27 ea.	\$562.46 ea.

Part No.	42" High Stair York Railing	Qty.	White: 01	Clay: 04	Black: 07
122512426-**	6' Stair Boxed Section (32°-36°)	30	\$232.72 ea.	\$302.54 ea.	\$337.45 ea.
122512428-**	8' Stair Boxed Section (32°-36°)	30	\$310.32 ea.	\$403.42 ea.	\$449.96 ea.

Part No.	Mounting Brackets (200 Series)	Qty.	White: 01	Clay: 04	Black: 07
930120400-**	Level Rail, (4/Pk)	42	\$25.06 pk.	\$32.58 pk.	\$36.34 pk.
930220400-**	Stair Rail, 32°-36° (4/Pk)	42	\$25.06 pk.	\$32.58 pk.	\$36.34 pk.
930220004-**	Universal Stair Rail, 0° - 45° (4/Pk)	42	\$25.06 pk.	\$32.58 pk.	\$36.34 pk.

Part No.	42" High York Gates (Hardware not included)	Qty.	White: 01	Clay: 04	Black: 07
122530420-**	36" Wide Gate (Unassembled)		\$288.30 ea.	\$374.79 ea.	\$418.03 ea.
122530420-**	42" Wide Gate (Unassembled)		\$302.72 ea.	\$393.54 ea.	\$438.95 ea.
122530420-**	48" Wide Gate (Unassembled)		\$317.87 ea.	\$413.23 ea.	\$460.91 ea.

Part No.	Gate Hardware	Qty.	White: 01	Black: 07
933000000-**	Residential Hinge	12	n/a	\$100.54 set
933010000-**	Residential Latch	24	n/a	\$47.66 ea.
930302120-**	Regular Multi-Adjust Hinge (TCAMA2)	20	\$148.11 set	\$148.11 set
930312010-**	Lockable Latch S2 (LLAA)	20	\$74.23 ea.	\$74.23 ea.

## ACCESSORIES

### Newel Posts

(more options: see Columns • Posts • Sleeves)

Plain

### Post Trim

Plain  
Classic  
Modular

### Post Mounts

(more options: see Columns • Posts • Sleeves)

8436G-NT 8442G-NT 8436G-PP 8436G-AD Adapter Block

### Post Caps

Flat New York New England Ball N.E. Ball Queen King

Part No.	Newel Posts	Qty.	White: 01	Clay: 04	Black: 07
211504485-**	4" x 48" Plain (.115 Wall)	50	\$22.79 ea.	n/a	n/a
211504545-**	4" x 54" Plain (.115 Wall)	50	\$25.63 ea.	n/a	n/a
211504480-**	4" x 48" Plain (.150 Wall)	50	\$27.26 ea.	\$35.44 ea.	\$39.53 ea.
211504540-**	4" x 54" Plain (.150 Wall)	50	\$30.68 ea.	\$39.88 ea.	\$44.48 ea.

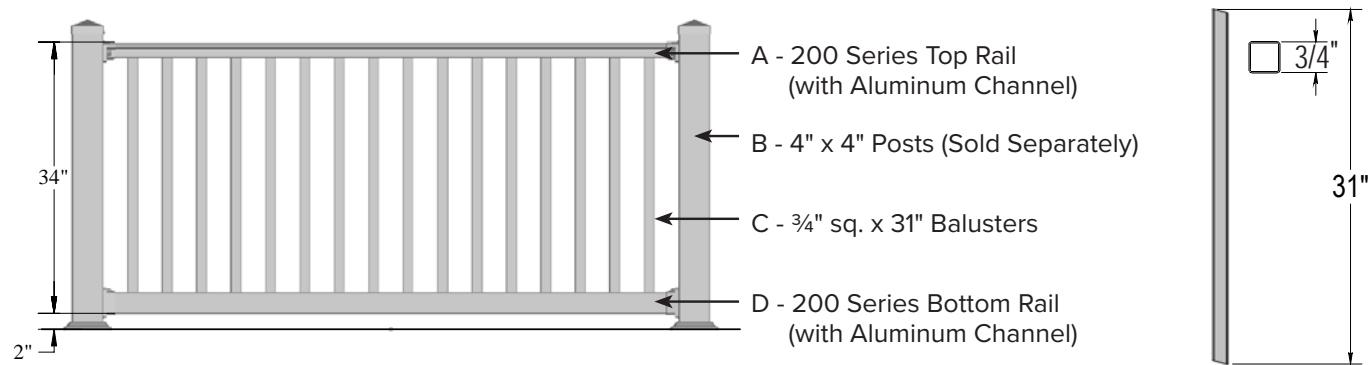
Part No.	Post Caps	Qty.	White: 01	Clay: 04	Black: 07
910010400-**	4" Flat Cap	210	\$4.59 ea.	\$5.97 ea.	\$6.66 ea.
910011400-**	4" New York Cap	60	\$7.34 ea.	\$9.54 ea.	n/a
910012400-**	4" New England Cap	32	\$14.71 ea.	\$19.12 ea.	\$21.33 ea.
910020400-**	4" Ball Cap	30	\$14.71 ea.	\$19.12 ea.	n/a
910022400-**	4" New England Ball Cap	32	\$20.85 ea.	\$27.11 ea.	n/a
910023400-**	4" Queen Cap	10	\$25.10 ea.	n/a	n/a
910024400-**	4" King Cap	30	\$25.10 ea.	n/a	n/a

Part No.	Post Trim	Qty.	White: 01	Clay: 04	Black: 07
950000400-**	4" Plain Post Trim	200	\$6.23 ea.	\$8.10 ea.	\$9.03 ea.
950020400-**	4" Classic Post Trim	32	\$7.15 ea.	\$9.30 ea.	\$10.37 ea.
950030400-**	4" Modular Trim Set (4-Pcs.)	60	\$19.30 ea.	n/a	n/a

Part No.	Post Mounts	Qty.	List
940843621-**	4" x 36" (4-Lag) 8436G-NT	100	\$81.78 ea.
940844221-**	4" x 42" (4-Lag) 8442G-NT	100	\$87.41 ea.
940843627-**	4" x 36" Plumb Perfect Pro 8436G-PP	100	\$96.33 ea.
940843628-**	4" x 36" Plumb Perfect Advantage 8436G-AD	100	\$83.89 ea.
940044207-**	Plumb Perfect Adapter Block for 42" High Railing	50	\$19.02 ea.

Both Plumb Perfect Post Mounts are not compatible with 54" Molded Newel Posts.  
Plumb Perfect Advantage Post Mounts are not compatible with any 4" Molded Newel Posts.

## 200 SERIES - 36" WITMER RAILING



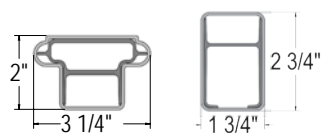
**Maximum Baluster Spacing: 3 3/4".**

Specify baluster color (White, Black, Bronze, or Kona).

Boxed section includes: top & bottom rails with aluminum inserts, balusters, mounting brackets with screws, and installation guide.

Posts, caps and trim sold separately.

Not available in 42" height.



Part No.	36" High Level Witmer Railing	Qty.	White: 01	Clay: 04	Black: 07
122611365-**	5' Level Boxed Section	30	\$182.95 ea.	\$237.84 ea.	\$265.28 ea.
122611366-**	6' Level Boxed Section	30	\$219.54 ea.	\$285.40 ea.	\$318.33 ea.
122611367-**	7' Level Boxed Section	30	\$256.11 ea.	\$332.95 ea.	\$371.36 ea.
122611368-**	8' Level Boxed Section	30	\$292.73 ea.	\$380.54 ea.	\$424.45 ea.
122611361-**	10' Level Boxed Section	30	\$365.87 ea.	\$475.63 ea.	\$530.51 ea.

Part No.	36" High Stair Witmer Railing	Qty.	White: 01	Clay: 04	Black: 07
122612366-**	6' Stair Boxed Section (32°-36°)	30	\$219.54 ea.	\$285.40 ea.	\$318.33 ea.
122612368-**	8' Stair Boxed Section (32°-36°)	30	\$292.73 ea.	\$380.54 ea.	\$424.45 ea.

Part No.	Mounting Brackets (200 Series)	Qty.	White: 01	Clay: 04	Black: 07
930120400-**	Level Rail, (4/Pk)	42	\$25.06 pk.	\$32.58 pk.	\$36.34 pk.
930220400-**	Stair Rail, 32°-36° (4/Pk)	42	\$25.06 pk.	\$32.58 pk.	\$36.34 pk.
930220004-**	Universal Stair Rail, 0° - 45° (4/Pk)	42	\$25.06 pk.	\$32.58 pk.	\$36.34 pk.

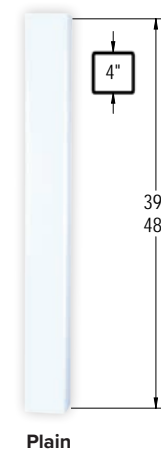
Part No.	36" High Witmer Gates (Hardware not included)	Qty.	White: 01	Clay: 04	Black: 07
122630360-**	36" Wide Gate (Unassembled)		\$272.01 ea.	\$353.61 ea.	\$394.41 ea.
122630360-**	42" Wide Gate (Unassembled)		\$285.63 ea.	\$371.32 ea.	\$414.17 ea.
122630360-**	48" Wide Gate (Unassembled)		\$299.92 ea.	\$389.89 ea.	\$434.88 ea.

Part No.	Gate Hardware	Qty.	White: 01	Black: 07
933000000-**	Residential Hinge	12	n/a	\$100.54 set
933010000-**	Residential Latch	24	n/a	\$47.66 ea.
930302120-**	Regular Multi-Adjust Hinge (TCAMA2)	20	\$148.11 set	\$148.11 set
930312010-**	Lockable Latch S2 (LLAA)	20	\$74.23 ea.	\$74.23 ea.

## ACCESSORIES

### Newel Posts

(more options: see Columns • Posts • Sleeves)



Plain

### Post Trim



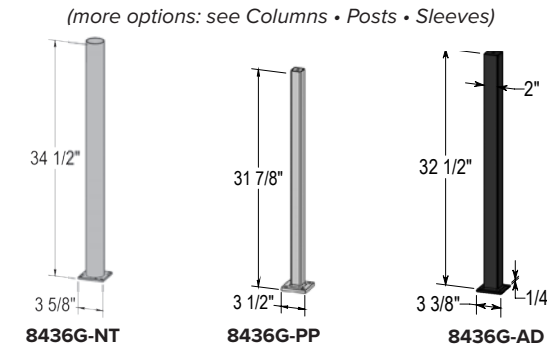
Plain

Classic

Modular

### Post Mounts

(more options: see Columns • Posts • Sleeves)

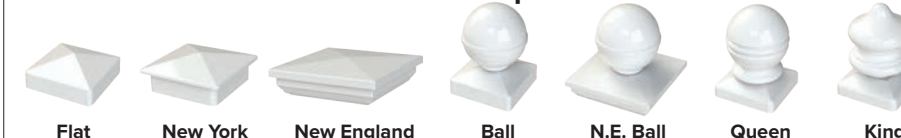


8436G-NT

8436G-PP

8436G-AD

### Post Caps



Flat

New York

New England

Ball

N.E. Ball

Queen

King

Part No.	Newel Posts	Qty.	White: 01	Clay: 04	Black: 07
211504395-**	4" x 39" Plain (.115 Wall)	50	\$18.51 ea.	n/a	\$26.84 ea.
211504485-**	4" x 48" Plain (.115 Wall)	50	\$22.79 ea.	n/a	n/a
211504390-**	4" x 39" Plain (.150 Wall)	50	\$22.16 ea.	\$28.81 ea.	\$32.13 ea.
211504480-**	4" x 48" Plain (.150 Wall)	50	\$27.26 ea.	\$35.44 ea.	\$39.53 ea.
211504540-**	4" x 54" Plain (.150 Wall)	50	\$30.68 ea.	\$39.88 ea.	\$44.48 ea.
910010400-**	4" Flat Cap	210	\$4.59 ea.	\$5.97 ea.	\$6.66 ea.
910011400-**	4" New York Cap	60	\$7.34 ea.	\$9.54 ea.	n/a
910012400-**	4" New England Cap	32	\$14.71 ea.	\$19.12 ea.	\$21.33 ea.
910020400-**	4" Ball Cap	30	\$14.71 ea.	\$19.12 ea.	n/a
910022400-**	4" New England Ball Cap	32	\$20.85 ea.	\$27.11 ea.	n/a
910023400-**	4" Queen Cap	10	\$25.10 ea.	n/a	n/a
910024400-**	4" King Cap	30	\$25.10 ea.	n/a	n/a

Part No.	Post Trim	Qty.	White: 01	Clay: 04	Black: 07
950000400-**	4" Plain Post Trim	200	\$6.23 ea.	\$8.10 ea.	\$9.03 ea.
950020400-**	4" Classic Post Trim	32	\$7.15 ea.	\$9.30 ea.	\$10.37 ea.
950030400-**	4" Modular Trim Set (4-Pcs.)	60	\$19.30 ea.	n/a	n/a

Part No.	Post Mounts	Qty.	List
940843621-**	4" x 36" (4-Lag) 8436G-NT	100	\$81.78 ea.
940843627-**	4" x 36" Plumb Perfect Pro 8436G-PP	110	\$96.33 ea.
940843628-**	4" x 36" Plumb Perfect Advantage 8436G-AD	110	\$83.89 ea.

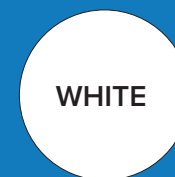
Both Plumb Perfect Post Mounts are not compatible with 54" Molded Newel Posts.

Plumb Perfect Advantage Post Mounts are not compatible with any 4" Molded Newel Posts.

# 400 SERIES

The 400 Series is the optimal way to create a space for entertaining that's open and inviting, thanks to its easy-to-install drink rail. Made of sturdy low maintenance vinyl and aluminum and customized with a deckboard of your choice, the 400 Series is both stylish and built to last.

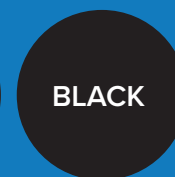
## COLOR



WHITE

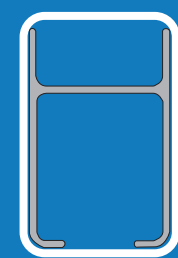
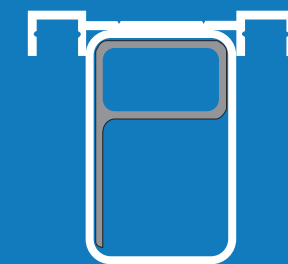


CLAY



BLACK

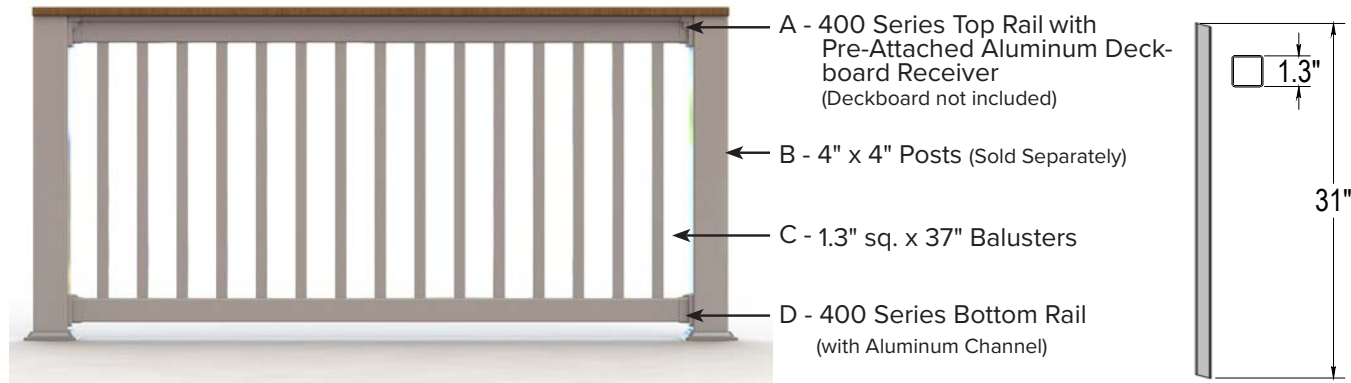
## PROFILE



**Important Notifications:**  
*Qty.* indicates Box or Skid quantities. The **\*\*** in Part Number represents the color codes. 400 series railing sections do not include posts, caps or trim.

Terms: Net 30 days to approved accounts. Otherwise: Cash, check or money order. Prices F.O.B. New Holland, PA / Prices subject to change without notice.

## 400 SERIES - 36" MODEL RAILING



**Maximum Baluster Spacing: 3¾"**

Boxed section includes: top & bottom rails with aluminum inserts, balusters, mounting brackets with screws, and installation guide.

Posts, caps and trim sold separately.

Part No.	36" High Level Model Railing	Qty.	White: 01	Clay: 04	Black: 07
161511366-**	6' Level Boxed Section	30	\$210.66 ea.	\$273.86 ea.	\$305.46 ea.
161511368-**	8' Level Boxed Section	30	\$280.88 ea.	\$365.14 ea.	\$407.28 ea.
161511361-**	10' Level Boxed Section	30	\$351.10 ea.	\$456.43 ea.	\$509.10 ea.

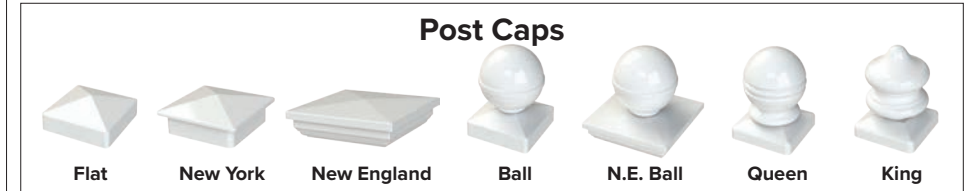
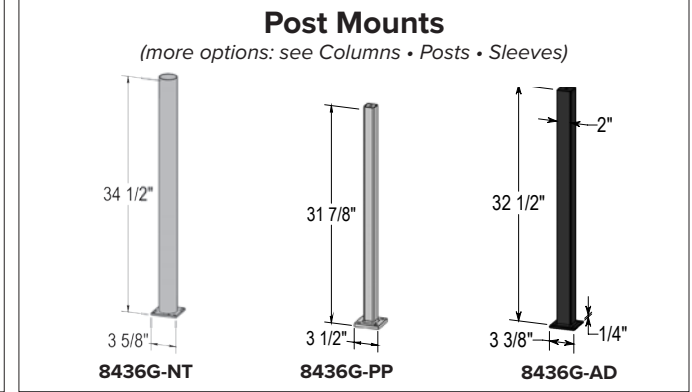
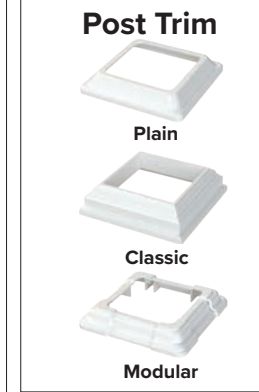
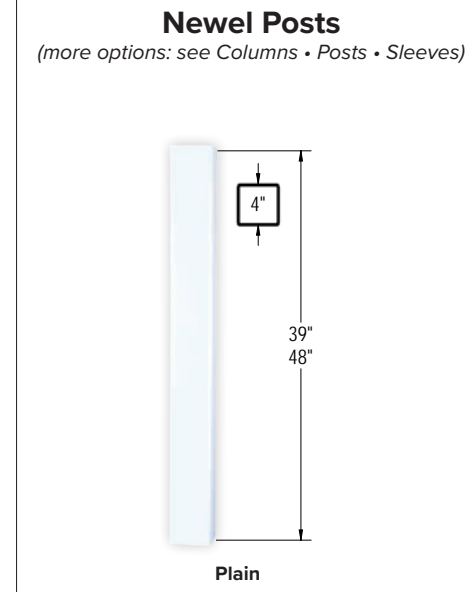
Part No.	36" High Stair Model Railing	Qty.	White: 01	Clay: 04	Black: 07
161512366-**	6' Stair Boxed Section (32°-36°)	15	\$210.66 ea.	\$273.86 ea.	\$305.46 ea.
161512368-**	8' Stair Boxed Section (32°-36°)	15	\$280.88 ea.	\$365.14 ea.	\$407.28 ea.
161512361-**	10' Stair Boxed Section (32°-36°)	15	\$351.10 ea.	\$456.43 ea.	\$509.10 ea.

Part No.	Mounting Brackets (400 Series)	Qty.	White: 01	Clay: 04	Black: 07
930160400-**	Level Rail, (4/Pk)	42	\$25.06 pk.	\$32.58 pk.	\$36.34 pk.
930260400-**	Stair Rail, 32°-36° (4/Pk)	42	\$25.06 pk.	\$32.58 pk.	\$36.34 pk.
930260404-**	Universal Stair Rail, 0° - 45° (4/Pk)	42	\$25.06 pk.	\$32.58 pk.	\$36.34 pk.

Part No.	36" High Model Gates (Hardware not included)	Qty.	White: 01	Clay: 04	Black: 07
161530363-**	36" Wide Gate (Unassembled)		\$252.06 ea.	\$327.68 ea.	\$365.49 ea.
161530364-**	48" Wide Gate (Unassembled)		\$277.88 ea.	\$361.24 ea.	\$402.93 ea.

Part No.	Gate Hardware	Qty.	White: 01	Black: 07
933000000-**	Residential Hinge	12	n/a	\$100.54 set
933010000-**	Residential Latch	24	n/a	\$47.66 ea.
930302120-**	Regular Multi-Adjust Hinge (TCAMA2)	20	\$148.11 set	\$148.11 set
930312010-**	Lockable Latch S2 (LLAA)	20	\$74.23 ea.	\$74.23 ea.

## ACCESSORIES



Part No.	Newel Posts	Qty.	White: 01	Clay: 04	Black: 07
211504395-**	4" x 39" Plain (.115 Wall)	50	\$18.51 ea.	n/a	\$26.84 ea.
211504485-**	4" x 48" Plain (.115 Wall)	50	\$22.79 ea.	n/a	n/a
211504390-**	4" x 39" Plain (.150 Wall)	50	\$22.16 ea.	\$28.81 ea.	\$32.13 ea.
211504480-**	4" x 48" Plain (.150 Wall)	50	\$27.26 ea.	\$35.44 ea.	\$39.53 ea.
211504540-**	4" x 54" Plain (.150 Wall)	50	\$30.68 ea.	\$39.88 ea.	\$44.48 ea.

Part No.	Post Caps	Qty.	White: 01	Clay: 04	Black: 07
910010400-**	4" Flat Cap	210	\$4.59 ea.	\$5.97 ea.	\$6.66 ea.
910011400-**	4" New York Cap	60	\$7.34 ea.	\$9.54 ea.	n/a
910012400-**	4" New England Cap	32	\$14.71 ea.	\$19.12 ea.	\$21.33 ea.
910020400-**	4" Ball Cap	30	\$14.71 ea.	\$19.12 ea.	n/a
910022400-**	4" New England Ball Cap	32	\$20.85 ea.	\$27.11 ea.	n/a
910023400-**	4" Queen Cap	10	\$25.10 ea.	n/a	n/a
910024400-**	4" King Cap	30	\$25.10 ea.	n/a	n/a

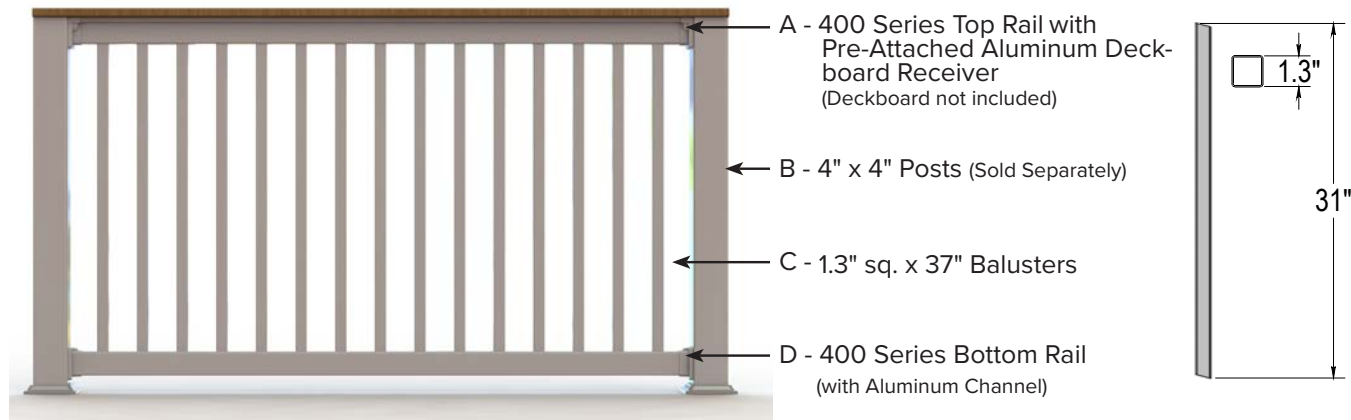
Part No.	Post Trim	Qty.	White: 01	Clay: 04	Black: 07
950000400-**	4" Plain Post Trim	200	\$6.23 ea.	\$8.10 ea.	\$9.03 ea.
950020400-**	4" Classic Post Trim	32	\$7.15 ea.	\$9.30 ea.	\$10.37 ea.
950030400-**	4" Modular Trim Set (4-Pcs.)	60	\$19.30 ea.	n/a	n/a

Part No.	Post Mounts	Qty.	List
940843621-**	4" x 36" (4-Lag) 8436G-NT	100	\$81.78 ea.
940843627-**	4" x 36" Plumb Perfect Pro 8436G-PP	110	\$96.33 ea.
940843628-**	4" x 36" Plumb Perfect Advantage 8436G-AD	110	\$83.89 ea.

Both Plumb Perfect Post Mounts are not compatible with 54" Molded Newel Posts.

Plumb Perfect Advantage Post Mounts are not compatible with any 4" Molded Newel Posts.

# 400 SERIES - 42" MODEL RAILING



**Maximum Baluster Spacing: 3 3/4".**

Boxed section includes: top & bottom rails with aluminum inserts, balusters, mounting brackets with screws, and installation guide.

Posts, caps and trim sold separately.

Part No.	42" High Level Model Railing	Qty.	White: 01	Clay: 04	Black: 07
161511426-**	6' Level Boxed Section	30	\$210.66 ea.	\$273.86 ea.	\$305.46 ea.
161511428-**	8' Level Boxed Section	30	\$280.88 ea.	\$365.14 ea.	\$407.28 ea.
161511421-**	10' Level Boxed Section	30	\$351.10 ea.	\$456.43 ea.	\$509.10 ea.

Part No.	42" High Stair Model Railing	Qty.	White: 01	Clay: 04	Black: 07
161512426-**	6' Stair Boxed Section (32°-36°)	15	\$210.66 ea.	\$273.86 ea.	\$305.46 ea.
161512428-**	8' Stair Boxed Section (32°-36°)	15	\$280.88 ea.	\$365.14 ea.	\$407.28 ea.
161512421-**	6' Stair Boxed Section (32°-36°)	15	\$351.10 ea.	\$456.43 ea.	\$509.10 ea.

Part No.	Mounting Brackets (400 Series)	Qty.	White: 01	Clay: 04	Black: 07
930160400-**	Level Rail, (4/Pk)	42	\$25.06 pk.	\$32.58 pk.	\$36.34 pk.
930260400-**	Stair Rail, 32°-36° (4/Pk)	42	\$25.06 pk.	\$32.58 pk.	\$36.34 pk.
930260404-**	Universal Stair Rail, 0° - 45° (4/Pk)	42	\$25.06 pk.	\$32.58 pk.	\$36.34 pk.

Part No.	42" High Model Gates (Hardware not included)	Qty.	White: 01	Clay: 04	Black: 07
161530423-**	36" Wide Gate (Unassembled)		\$267.20 ea.	\$347.36 ea.	\$387.44 ea.
161530424-**	48" Wide Gate (Unassembled)		\$294.59 ea.	\$382.97 ea.	\$427.16 ea.

Part No.	Gate Hardware	Qty.	White: 01	Black: 07
933000000-**	Residential Hinge	12	n/a	\$100.54 set
933010000-**	Residential Latch	24	n/a	\$47.66 ea.
930302120-**	Regular Multi-Adjust Hinge (TCAMA2)	20	\$148.11 set	\$148.11 set
930312010-**	Lockable Latch S2 (LLAA)	20	\$74.23 ea.	\$74.23 ea.

# ACCESSORIES

### Newel Posts

(more options: see Columns • Posts • Sleeves)

Plain

### Post Trim

Plain  
Classic  
Modular

### Post Mounts

(more options: see Columns • Posts • Sleeves)

8436G-NT 8442G-NT 8436G-PP 8436G-AD Adapter Block

### Post Caps

Flat New York New England Ball N.E. Ball Queen King

Part No.	Newel Posts	Qty.	White: 01	Clay: 04	Black: 07
211504485-**	4" x 48" Plain (.115 Wall)	50	\$22.79 ea.	n/a	n/a
211504545-**	4" x 54" Plain (.115 Wall)	50	\$25.63 ea.	n/a	n/a
211504480-**	4" x 48" Plain (.150 Wall)	50	\$27.26 ea.	\$35.44 ea.	\$39.53 ea.
211504540-**	4" x 54" Plain (.150 Wall)	50	\$30.68 ea.	\$39.88 ea.	\$44.48 ea.

Part No.	Post Caps	Qty.	White: 01	Clay: 04	Black: 07
910010400-**	4" Flat Cap	210	\$4.59 ea.	\$5.97 ea.	\$6.66 ea.
910011400-**	4" New York Cap	60	\$7.34 ea.	\$9.54 ea.	n/a
910012400-**	4" New England Cap	32	\$14.71 ea.	\$19.12 ea.	\$21.33 ea.
910020400-**	4" Ball Cap	30	\$14.71 ea.	\$19.12 ea.	n/a
910022400-**	4" New England Ball Cap	32	\$20.85 ea.	\$27.11 ea.	n/a
910023400-**	4" Queen Cap	10	\$25.10 ea.	n/a	n/a
910024400-**	4" King Cap	30	\$25.10 ea.	n/a	n/a

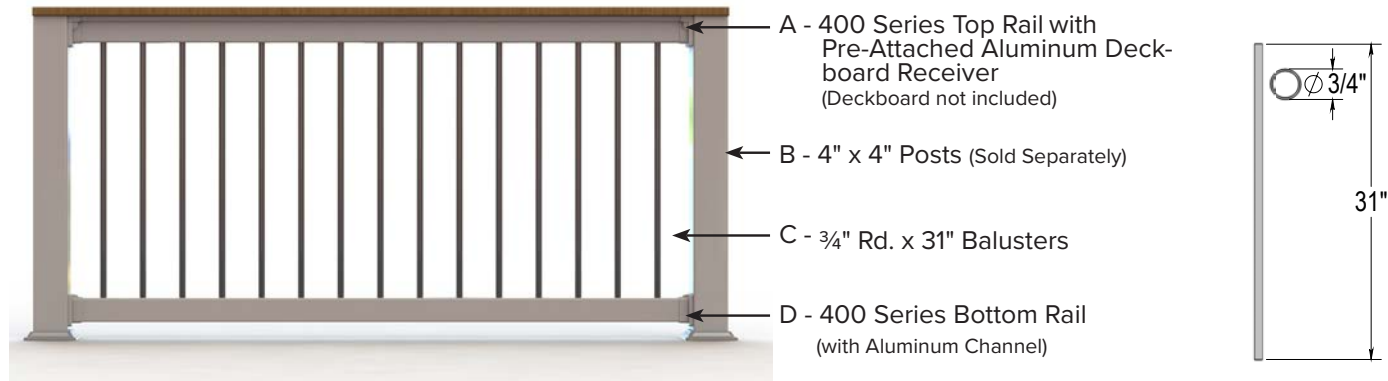
Part No.	Post Trim	Qty.	White: 01	Clay: 04	Black: 07
950000400-**	4" Plain Post Trim	200	\$6.23 ea.	\$8.10 ea.	\$9.03 ea.
950020400-**	4" Classic Post Trim	32	\$7.15 ea.	\$9.30 ea.	\$10.37 ea.
950030400-**	4" Modular Trim Set (4-Pcs.)	60	\$19.30 ea.	n/a	n/a

Part No.	Post Mounts	Qty.	List
940843621-**	4" x 36" (4-Lag) 8436G-NT	100	\$81.78 ea.
940844221-**	4" x 42" (4-Lag) 8442G-NT	100	\$87.41 ea.
940843627-**	4" x 36" Plumb Perfect Pro 8436G-PP	110	\$96.33 ea.
940843628-**	4" x 36" Plumb Perfect Advantage 8436G-AD	110	\$83.89 ea.
940044207-**	Plumb Perfect Adapter Block for 42" High Railing	50	\$19.02 ea.

Both Plumb Perfect Post Mounts are not compatible with 54" Molded Newel Posts.

Plumb Perfect Advantage Post Mounts are not compatible with any 4" Molded Newel Posts.

# 400 SERIES - 36" YORK RAILING



**Maximum Baluster Spacing: 3 7/8".**

Aluminum baluster color is Black.

Boxed section includes: top & bottom rails with aluminum inserts, balusters, mounting brackets with screws, and installation guide.

Posts, caps and trim sold separately.

Part No.	36" High Level York Railing	Qty.	White: 01	Clay: 04	Black: 07
162511366-**	6' Level Boxed Section	30	\$264.27 ea.	\$343.55 ea.	\$383.19 ea.
162511368-**	8' Level Boxed Section	30	\$352.36 ea.	\$458.07 ea.	\$510.92 ea.
162511361-**	10' Level Boxed Section	30	\$440.45 ea.	\$572.59 ea.	\$638.65 ea.

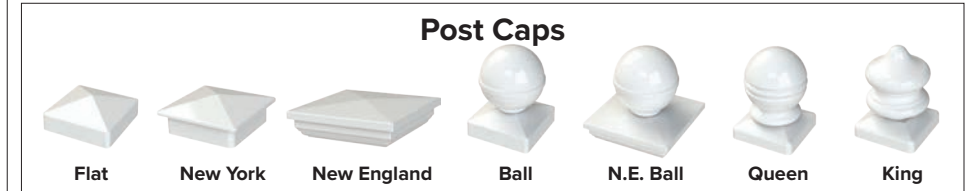
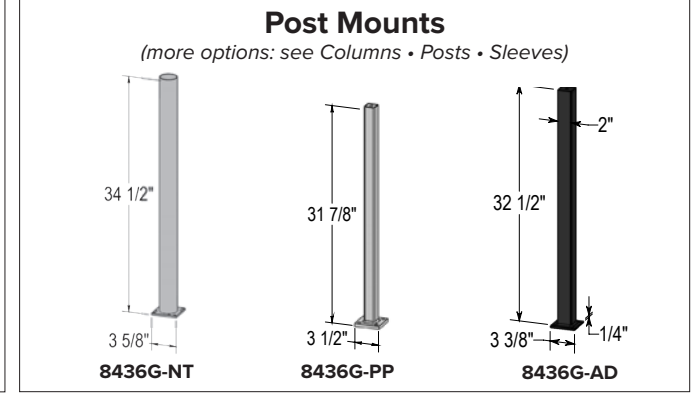
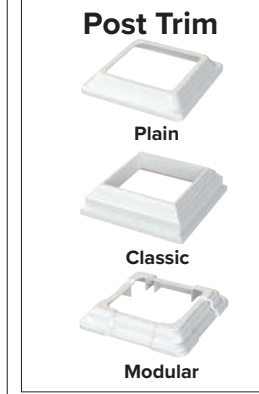
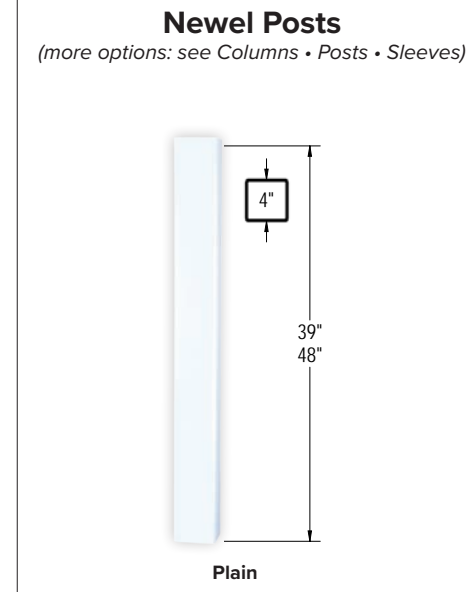
Part No.	36" High Stair York Railing	Qty.	White: 01	Clay: 04	Black: 07
162512366-**	6' Stair Boxed Section (32°-36°)	15	\$264.27 ea.	\$343.55 ea.	\$383.19 ea.
162512368-**	8' Stair Boxed Section (32°-36°)	15	\$352.36 ea.	\$458.07 ea.	\$510.92 ea.
162512361-**	10' Level Boxed Section	15	\$440.45 ea.	\$572.59 ea.	\$638.65 ea.

Part No.	Mounting Brackets (400 Series)	Qty.	White: 01	Clay: 04	Black: 07
930160400-**	Level Rail, (4/Pk)	42	\$25.06 pk.	\$32.58 pk.	\$36.34 pk.
930260400-**	Stair Rail, 32°-36° (4/Pk)	42	\$25.06 pk.	\$32.58 pk.	\$36.34 pk.
930260404-**	Universal Stair Rail, 0° - 45° (4/Pk)	42	\$25.06 pk.	\$32.58 pk.	\$36.34 pk.

Part No.	36" High York Gates (Hardware not included)	Qty.	White: 01	Clay: 04	Black: 07
162530363-**	36" Wide Gate (Unassembled)		\$323.14 ea.	\$420.08 ea.	\$468.55 ea.
162530364-**	48" Wide Gate (Unassembled)		\$356.24 ea.	\$463.11 ea.	\$516.55 ea.

Part No.	Gate Hardware	Qty.	White: 01	Black: 07
933000000-**	Residential Hinge	12	n/a	\$100.54 set
933010000-**	Residential Latch	24	n/a	\$47.66 ea.
930302120-**	Regular Multi-Adjust Hinge (TCAMA2)	20	\$148.11 set	\$148.11 set
930312010-**	Lockable Latch S2 (LLAA)	20	\$74.23 ea.	\$74.23 ea.

# ACCESSORIES



Part No.	Newel Posts	Qty.	White: 01	Clay: 04	Black: 07
211504395-**	4" x 39" Plain (.115 Wall)	50	\$18.51 ea.	n/a	\$26.84 ea.
211504485-**	4" x 48" Plain (.115 Wall)	50	\$22.79 ea.	n/a	n/a
211504390-**	4" x 39" Plain (.150 Wall)	50	\$22.16 ea.	\$28.81 ea.	\$32.13 ea.
211504480-**	4" x 48" Plain (.150 Wall)	50	\$27.26 ea.	\$35.44 ea.	\$39.53 ea.
211504540-**	4" x 54" Plain (.150 Wall)	50	\$30.68 ea.	\$39.88 ea.	\$44.48 ea.

Part No.	Post Caps	Qty.	White: 01	Clay: 04	Black: 07
910010400-**	4" Flat Cap	210	\$4.59 ea.	\$5.97 ea.	\$6.66 ea.
910011400-**	4" New York Cap	60	\$7.34 ea.	\$9.54 ea.	n/a
910012400-**	4" New England Cap	32	\$14.71 ea.	\$19.12 ea.	\$21.33 ea.
910020400-**	4" Ball Cap	30	\$14.71 ea.	\$19.12 ea.	n/a
910022400-**	4" New England Ball Cap	32	\$20.85 ea.	\$27.11 ea.	n/a
910023400-**	4" Queen Cap	10	\$25.10 ea.	n/a	n/a
910024400-**	4" King Cap	30	\$25.10 ea.	n/a	n/a

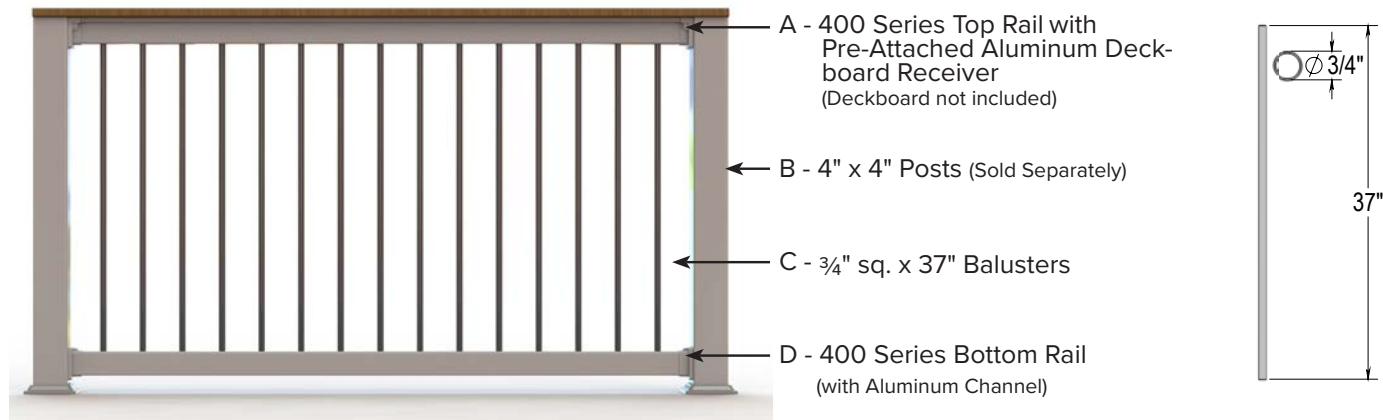
Part No.	Post Trim	Qty.	White: 01	Clay: 04	Black: 07
950000400-**	4" Plain Post Trim	200	\$6.23 ea.	\$8.10 ea.	\$9.03 ea.
950020400-**	4" Classic Post Trim	32	\$7.15 ea.	\$9.30 ea.	\$10.37 ea.
950030400-**	4" Modular Trim Set (4-Pcs.)	60	\$19.30 ea.	n/a	n/a

Part No.	Post Mounts	Qty.	List
940843621-**	4" x 36" (4-Lag) 8436G-NT	100	\$81.78 ea.
940843627-**	4" x 36" Plumb Perfect Pro 8436G-PP	110	\$96.33 ea.
940843628-**	4" x 36" Plumb Perfect Advantage 8436G-AD	110	\$83.89 ea.

Both Plumb Perfect Post Mounts are not compatible with 54" Molded Newel Posts.

Plumb Perfect Advantage Post Mounts are not compatible with any 4" Molded Newel Posts.

# 400 SERIES - 42" YORK RAILING



**Maximum Baluster Spacing: 3 7/8".**

Aluminum baluster color is Black.

Boxed section includes: top & bottom rails with aluminum inserts, balusters, mounting brackets with screws, and installation guide.

Posts, caps and trim sold separately.

Part No.	42" High Level York Railing	Qty.	White: 01	Clay: 04	Black: 07
162511426-**	6' Level Boxed Section	30	\$264.27 ea.	\$343.55 ea.	\$383.19 ea.
162511428-**	8' Level Boxed Section	30	\$352.36 ea.	\$458.07 ea.	\$510.92 ea.
162511421-**	10' Level Boxed Section	30	\$440.45 ea.	\$572.59 ea.	\$638.65 ea.

Part No.	42" High Stair York Railing	Qty.	White: 01	Clay: 04	Black: 07
162512426-**	6' Stair Boxed Section (32°-36°)	15	\$264.27 ea.	\$343.55 ea.	\$383.19 ea.
162512428-**	8' Stair Boxed Section (32°-36°)	15	\$352.36 ea.	\$458.07 ea.	\$510.92 ea.
162512421-**	10' Stair Boxed Section (32°-36°)	15	\$440.45 ea.	\$572.59 ea.	\$638.65 ea.

Part No.	Mounting Brackets (400 Series)	Qty.	White: 01	Clay: 04	Black: 07
930160400-**	Level Rail, (4/Pk)	42	\$25.06 pk.	\$32.58 pk.	\$36.34 pk.
930260400-**	Stair Rail, 32°-36° (4/Pk)	42	\$25.06 pk.	\$32.58 pk.	\$36.34 pk.
930260404-**	Universal Stair Rail, 0° - 45° (4/Pk)	42	\$25.06 pk.	\$32.58 pk.	\$36.34 pk.

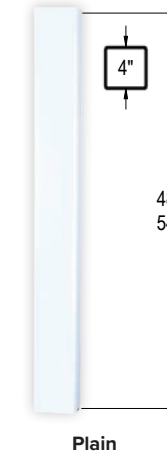
Part No.	42" High York Gates (Hardware not included)	Qty.	White: 01	Clay: 04	Black: 07
162530423-**	36" Wide Gate (Unassembled)		\$342.48 ea.	\$445.22 ea.	\$496.60 ea.
162530424-**	48" Wide Gate (Unassembled)		\$377.59 ea.	\$490.87 ea.	\$547.51 ea.

Part No.	Gate Hardware	Qty.	White: 01	Black: 07
933000000-**	Residential Hinge	12	n/a	\$100.54 set
933010000-**	Residential Latch	24	n/a	\$47.66 ea.
930302120-**	Regular Multi-Adjust Hinge (TCAMA2)	20	\$148.11 set	\$148.11 set
930312010-**	Lockable Latch S2 (LLAA)	20	\$74.23 ea.	\$74.23 ea.

# ACCESSORIES

## Newel Posts

(more options: see Columns • Posts • Sleeves)



Plain

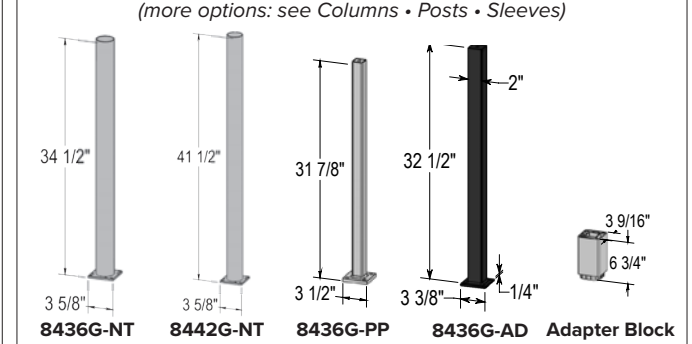
## Post Trim



Modular

## Post Mounts

(more options: see Columns • Posts • Sleeves)



Adapter Block

## Post Caps



Flat

New York

New England

Ball

N.E. Ball

Queen

King

Part No.	Newel Posts	Qty.	White: 01	Clay: 04	Black: 07
211504485-**	4" x 48" Plain (.115 Wall)	50	\$22.79 ea.	n/a	n/a
211504545-**	4" x 54" Plain (.115 Wall)	50	\$25.63 ea.	n/a	n/a
211504480-**	4" x 48" Plain (.150 Wall)	50	\$27.26 ea.	\$35.44 ea.	\$39.53 ea.
211504540-**	4" x 54" Plain (.150 Wall)	50	\$30.68 ea.	\$39.88 ea.	\$44.48 ea.

Part No.	Post Caps	Qty.	White: 01	Clay: 04	Black: 07
910010400-**	4" Flat Cap	210	\$4.59 ea.	\$5.97 ea.	\$6.66 ea.
910011400-**	4" New York Cap	60	\$7.34 ea.	\$9.54 ea.	n/a
910012400-**	4" New England Cap	32	\$14.71 ea.	\$19.12 ea.	\$21.33 ea.
910020400-**	4" Ball Cap	30	\$14.71 ea.	\$19.12 ea.	n/a
910022400-**	4" New England Ball Cap	32	\$20.85 ea.	\$27.11 ea.	n/a
910023400-**	4" Queen Cap	10	\$25.10 ea.	n/a	n/a
910024400-**	4" King Cap	30	\$25.10 ea.	n/a	n/a

Part No.	Post Trim	Qty.	White: 01	Clay: 04	Black: 07
950000400-**	4" Plain Post Trim	200	\$6.23 ea.	\$8.10 ea.	\$9.03 ea.
950020400-**	4" Classic Post Trim	32	\$7.15 ea.	\$9.30 ea.	\$10.37 ea.
950030400-**	4" Modular Trim Set (4-Pcs.)	60	\$19.30 ea.	n/a	n/a

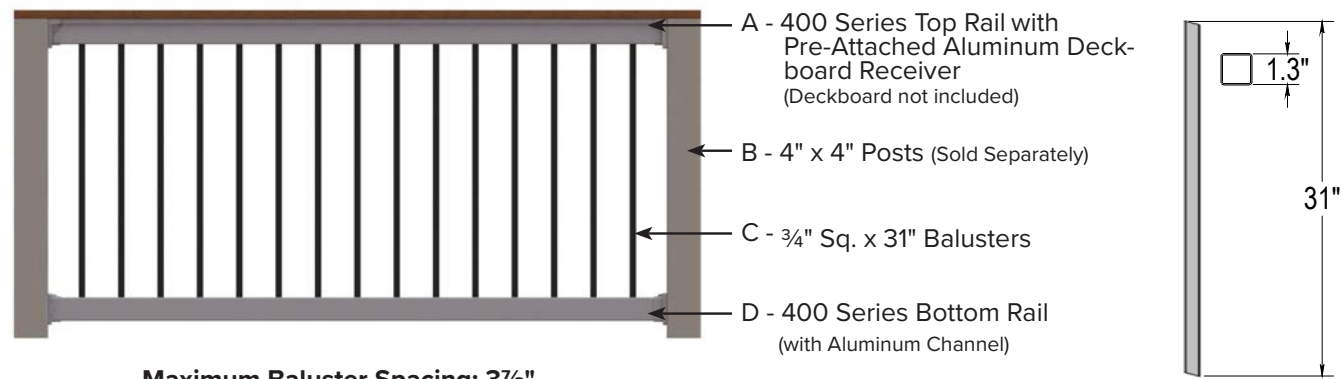
Part No.	Post Mounts	Qty.	List
940843621-**	4" x 36" (4-Lag) 8436G-NT	100	\$81.78 ea.
940844221-**	4" x 42" (4-Lag) 8442G-NT	100	\$87.41 ea.
940843627-**	4" x 36" Plumb Perfect Pro 8436G-PP	110	\$96.33 ea.
940843628-**	4" x 36" Plumb Perfect Advantage 8436G-AD	110	\$83.89 ea.
940044207-**	Plumb Perfect Adapter Block for 42" High Railing	50	\$19.02 ea.

Both Plumb Perfect Post Mounts are not compatible with 54" Molded Newel Posts.

Plumb Perfect Advantage Post Mounts are not compatible with any 4" Molded Newel Posts.



# 400 SERIES - 36" WITMER RAILING



**Maximum Baluster Spacing: 3 7/8".**

Aluminum baluster color is Black.

Boxed section includes: top & bottom rails with aluminum inserts, balusters, mounting brackets with screws, and installation guide.

Posts, caps and trim sold separately.

Part No.	36" High Level Witmer Railing	Qty.	White - Black: 17	Clay: 04	Black: 07
162611366-**-	6' Level Boxed Section	30	\$264.27 ea.	\$343.55 ea.	\$383.19 ea.
162611368-**-	8' Level Boxed Section	30	\$352.36 ea.	\$458.07 ea.	\$510.92 ea.
162611361-**-	10' Level Boxed Section	30	\$440.45 ea.	\$572.59 ea.	\$638.65 ea.

Part No.	36" High Stair Witmer Railing	Qty.	White: 01	Clay: 04	Black: 07
162612366-**-	6' Stair Boxed Section (32°-36°)	15	\$264.27 ea.	\$343.55 ea.	\$383.19 ea.
162612368-**-	8' Stair Boxed Section (32°-36°)	15	\$352.36 ea.	\$458.07 ea.	\$510.92 ea.
162612361-**-	10' Stair Boxed Section (32°-36°)	15	\$440.45 ea.	\$572.59 ea.	\$638.65 ea.

Part No.	Mounting Brackets (400 Series)	Qty.	White: 01	Clay: 04	Black: 07
930160400-**-	Level Rail, (4/Pk)	42	\$25.06 pk.	\$32.58 pk.	\$36.34 pk.
930260400-**-	Stair Rail, 32°-36° (4/Pk)	42	\$25.06 pk.	\$32.58 pk.	\$36.34 pk.
930260404-**-	Universal Stair Rail, 0° - 45° (4/Pk)	42	\$25.06 pk.	\$32.58 pk.	\$36.34 pk.

Part No.	36" High Witmer Gates (Hardware not included)	Qty.	White: 01	Clay: 04	Black: 07
162630363-**-	36" Wide Gate (Unassembled)		\$323.14 ea.	\$420.08 ea.	\$468.55 ea.
162630364-**-	48" Wide Gate (Unassembled)		\$356.24 ea.	\$463.11 ea.	\$516.55 ea.

Part No.	Gate Hardware	Qty.	White: 01	Black: 07
933000000-**-	Residential Hinge	12	n/a	\$100.54 set
933010000-**-	Residential Latch	24	n/a	\$47.66 ea.
930302120-**-	Regular Multi-Adjust Hinge (TCAMA2)	20	\$148.11 set	\$148.11 set
930312010-**-	Lockable Latch S2 (LLAA)	20	\$74.23 ea.	\$74.23 ea.

# ACCESSORIES

### Newel Posts

(more options: see Columns • Posts • Sleeves)

Plain

### Post Trim

Plain  
Classic  
Modular

### Post Mounts

(more options: see Columns • Posts • Sleeves)

8436G-NT  
8436G-PP  
8436G-AD

### Post Caps

Flat  
New York  
New England  
Ball  
N.E. Ball  
Queen  
King

Part No.	Newel Posts	Qty.	White: 01	Clay: 04	Black: 07
211504395-**-	4" x 39" Plain (.115 Wall)	50	\$18.51 ea.	n/a	\$26.84 ea.
211504485-**-	4" x 48" Plain (.115 Wall)	50	\$22.79 ea.	n/a	n/a
211504390-**-	4" x 39" Plain (.150 Wall)	50	\$22.16 ea.	\$28.81 ea.	\$32.13 ea.
211504480-**-	4" x 48" Plain (.150 Wall)	50	\$27.26 ea.	\$35.44 ea.	\$39.53 ea.
211504540-**-	4" x 54" Plain (.150 Wall)	50	\$30.68 ea.	\$39.88 ea.	\$44.48 ea.

Part No.	Post Caps	Qty.	White: 01	Clay: 04	Black: 07
910010400-**-	4" Flat Cap	210	\$4.59 ea.	\$5.97 ea.	\$6.66 ea.
910011400-**-	4" New York Cap	60	\$7.34 ea.	\$9.54 ea.	n/a
910012400-**-	4" New England Cap	32	\$14.71 ea.	\$19.12 ea.	\$21.33 ea.
910020400-**-	4" Ball Cap	30	\$14.71 ea.	\$19.12 ea.	n/a
910022400-**-	4" New England Ball Cap	32	\$20.85 ea.	\$27.11 ea.	n/a
910023400-**-	4" Queen Cap	10	\$25.10 ea.	n/a	n/a
910024400-**-	4" King Cap	30	\$25.10 ea.	n/a	n/a

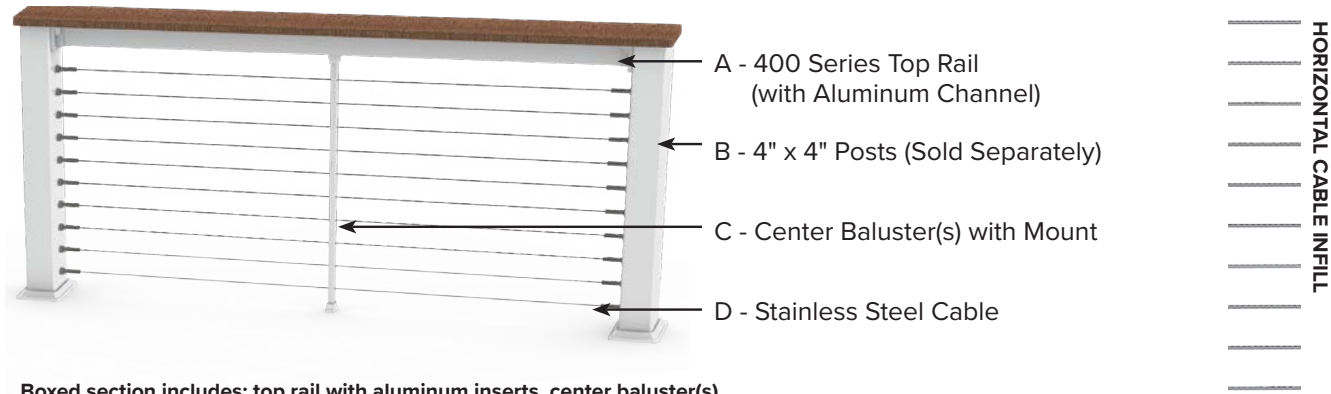
Part No.	Post Trim	Qty.	White: 01	Clay: 04	Black: 07
950000400-**-	4" Plain Post Trim	200	\$6.23 ea.	\$8.10 ea.	\$9.03 ea.
950020400-**-	4" Classic Post Trim	32	\$7.15 ea.	\$9.30 ea.	\$10.37 ea.
950030400-**-	4" Modular Trim Set (4-Pcs.)	60	\$19.30 ea.	n/a	n/a

Part No.	Post Mounts	Qty.	List
940843621-**-	4" x 36" (4-Lag) 8436G-NT	100	\$81.78 ea.
940843627-**-	4" x 36" Plumb Perfect Pro 8436G-PP	110	\$96.33 ea.
940843628-**-	4" x 36" Plumb Perfect Advantage 8436G-AD	110	\$83.89 ea.

Both Plumb Perfect Post Mounts are not compatible with 54" Molded Newel Posts.

Plumb Perfect Advantage Post Mounts are not compatible with any 4" Molded Newel Posts.

# 400 SERIES - 36" HORIZONTAL CABLE RAILING



Boxed section includes: top rail with aluminum inserts, center baluster(s) with mount, mounting brackets with screws, and installation guide. Posts, caps, trim and cable sold separately.

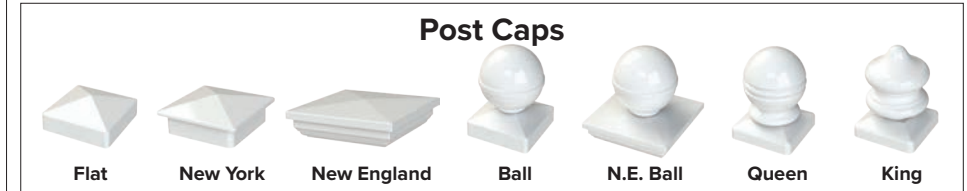
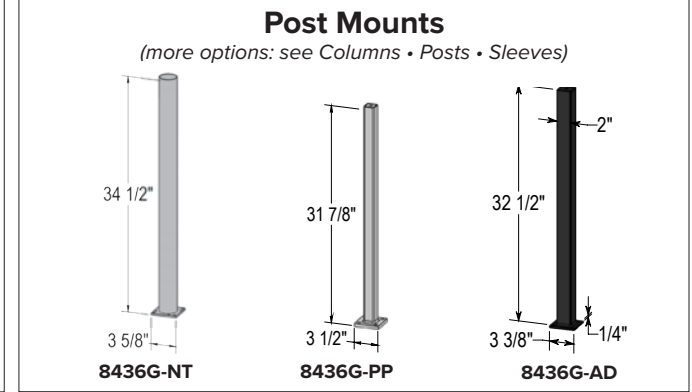
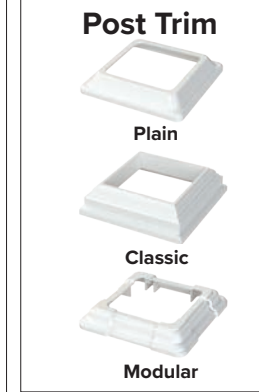
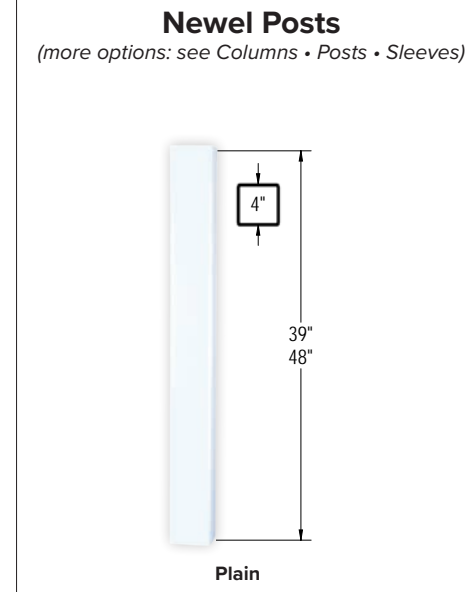
Part No.	36" High Level Horizontal Cable Railing	Qty.	White: 01	Clay: 04	Black: 07
163011366-**-	6' Level Boxed Section	30	\$175.00 ea.	\$227.50 ea.	\$253.75 ea.
163011368-**-	8' Level Boxed Section	30	\$195.00 ea.	\$253.50 ea.	\$282.75 ea.
163011361-**-	10' Level Boxed Section	30	\$215.00 ea.	\$279.50 ea.	\$311.75 ea.

Part No.	36" High Stair Horizontal Cable Railing	Qty.	White: 01	Clay: 04	Black: 07
163012366-**-	6' Stair Boxed Section (32°-36°)	15	\$175.00 ea.	\$227.50 ea.	\$253.75 ea.
163012368-**-	8' Stair Boxed Section (32°-36°)	15	\$195.00 ea.	\$253.50 ea.	\$282.75 ea.
163012361-**-	10' Level Boxed Section (32°-36°)	15	\$215.00 ea.	\$279.50 ea.	\$311.75 ea.

Part No.	Mounting Brackets (400 Series)	Qty.	White: 01	Clay: 04	Black: 07
930160200-**-	Level Rail, (2/Pk)	84	\$13.78 pk.	\$17.91 pk.	\$19.98 pk.
930260200-**-	Stair Rail, 32°-36° (2/Pk)	84	\$13.78 pk.	\$17.91 pk.	\$19.98 pk.
931160450-**-	45° Wedge (2/Pk)	84	\$7.84 pk.	\$10.19 pk.	\$11.37 pk.

Part No.	Cable Posts	Qty.	White: 01	Clay: 04	Black: 07
244101436-**-	39" Level Corner Post with Fitting		\$556.94 ea.	\$724.02 ea.	\$807.56 ea.
244111436-**-	39" Level End Post with Fitting		\$308.05 ea.	\$400.47 ea.	\$446.67 ea.
244122436-**-	39" Level Line Post without Fitting		\$22.85 ea.	\$29.71 ea.	\$33.13 ea.
244211436-**-	48" Stair End Post with Fitting		\$308.05 ea.	\$400.47 ea.	\$446.67 ea.
244222436-**-	48" Stair Line Post without Fitting		\$22.85 ea.	\$29.71 ea.	\$33.13 ea.
244301436-**-	39" Transition Corner Post with Fitting		\$556.94 ea.	\$724.02 ea.	\$807.56 ea.
244311436-**-	39" Transition Line Post with Fitting		\$556.94 ea.	\$724.02 ea.	\$807.56 ea.

# ACCESSORIES



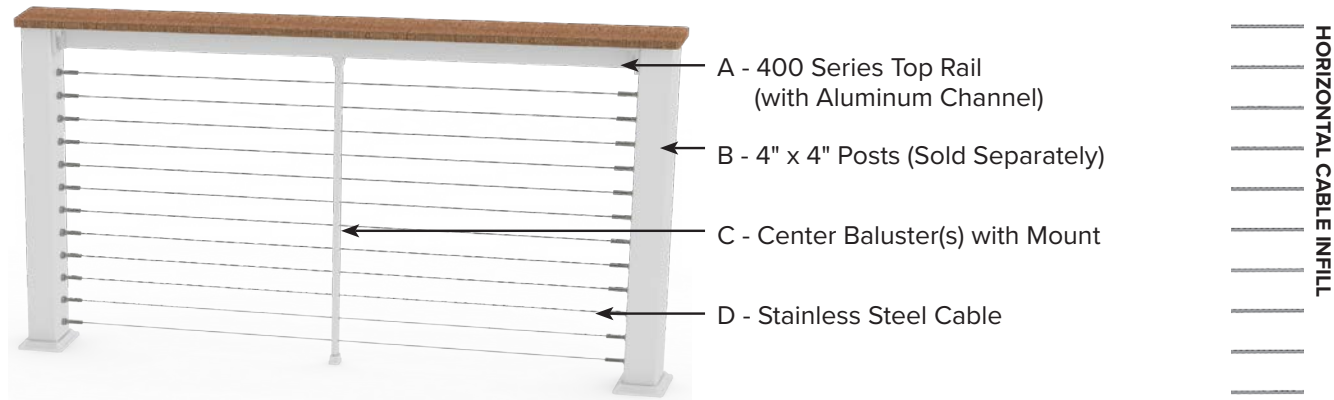
Part No.	Post Caps	Qty.	White: 01	Clay: 04	Black: 07
910010400-**-	4" Flat Cap	210	\$4.59 ea.	\$5.97 ea.	\$6.66 ea.
910011400-**-	4" New York Cap	60	\$7.34 ea.	\$9.54 ea.	n/a
910012400-**-	4" New England Cap	32	\$14.71 ea.	\$19.12 ea.	\$21.33 ea.
910020400-**-	4" Ball Cap	30	\$14.71 ea.	\$19.12 ea.	n/a
910022400-**-	4" New England Ball Cap	32	\$20.85 ea.	\$27.11 ea.	n/a
910023400-**-	4" Queen Cap	10	\$25.10 ea.	n/a	n/a
910024400-**-	4" King Cap	30	\$25.10 ea.	n/a	n/a

Part No.	Post Trim	Qty.	White: 01	Clay: 04	Black: 07
950000400-**-	4" Plain Post Trim	200	\$6.23 ea.	\$8.10 ea.	\$9.03 ea.
950020400-**-	4" Classic Post Trim	32	\$7.15 ea.	\$9.30 ea.	\$10.37 ea.
950030400-**-	4" Modular Trim Set (4-Pcs.)	60	\$19.30 ea.	n/a	n/a

Part No.	Post Mounts	Qty.	List
940843621-**-	4" x 36" (4-Lag) 8436G-NT	100	\$81.78 ea.
940843627-**-	4" x 36" Plumb Perfect Pro 8436G-PP	110	\$96.33 ea.
940843628-**-	4" x 36" Plumb Perfect Advantage 8436G-AD	110	\$83.89 ea.

Both Plumb Perfect Post Mounts are not compatible with 54" Molded Newel Posts. Plumb Perfect Advantage Post Mounts are not compatible with any 4" Molded Newel Posts.

# 400 SERIES - 42" HORIZONTAL CABLE RAILING



Boxed section includes: top rail with aluminum inserts, center baluster(s) with mount, mounting brackets with screws, and installation guide. Posts, caps, trim and cable sold separately.

Part No.	42" High Level Horizontal Cable Railing	Qty.	White: 01	Clay: 04	Black: 07
163011426-**-**	6' Level Boxed Section	30	\$175.00 ea.	\$227.50 ea.	\$253.75 ea.
163011428-**-**	8' Level Boxed Section	30	\$195.00 ea.	\$253.50 ea.	\$282.75 ea.
163011421-**-**	10' Level Boxed Section	30	\$215.00 ea.	\$279.50 ea.	\$311.75 ea.

Part No.	42" High Stair Horizontal Cable Railing	Qty.	White: 01	Clay: 04	Black: 07
163012426-**-**	6' Stair Boxed Section (32°-36°)	15	\$175.00 ea.	\$227.50 ea.	\$253.75 ea.
163012428-**-**	8' Stair Boxed Section (32°-36°)	15	\$195.00 ea.	\$253.50 ea.	\$282.75 ea.
163012421-**-**	10' Stair Boxed Section (32°-36°)	15	\$215.00 ea.	\$279.50 ea.	\$311.75 ea.

Part No.	Mounting Brackets (400 Series)	Qty.	White: 01	Clay: 04	Black: 07
930160200-**-**	Level Rail, (2/Pk)	84	\$13.78 pk.	\$17.91 pk.	\$19.98 pk.
930260200-**-**	Stair Rail, 32°-36° (2/Pk)	84	\$13.78 pk.	\$17.91 pk.	\$19.98 pk.
931160450-**-**	45° Wedge (2/Pk)	84	\$7.84 pk.	\$10.19 pk.	\$11.37 pk.

Part No.	Cable Posts	Qty.	White: 01	Clay: 04	Black: 07
244101442-**-**	48" Level Corner Post with Fitting		\$662.59 ea.	\$861.37 ea.	\$960.76 ea.
244111442-**-**	48" Level End Post with Fitting		\$388.94 ea.	\$505.62 ea.	\$563.96 ea.
244122442-**-**	48" Level Line Post without Fitting		\$28.85 ea.	\$37.51 ea.	\$41.83 ea.
244211442-**-**	54" Stair End Post with Fitting		\$388.94 ea.	\$505.62 ea.	\$563.96 ea.
244222442-**-**	54" Stair Line Post without Fitting		\$28.85 ea.	\$37.51 ea.	\$41.83 ea.
244301442-**-**	48" Transition Corner Post with Fitting		\$662.59 ea.	\$861.37 ea.	\$960.76 ea.
244311442-**-**	48" Transition Line Post with Fitting		\$662.59 ea.	\$861.37 ea.	\$960.76 ea.

# ACCESSORIES

### Newel Posts

(more options: see Columns • Posts • Sleeves)

Plain

### Post Trim

Plain  
Classic  
Modular

### Post Mounts

(more options: see Columns • Posts • Sleeves)

8436G-NT      8436G-PP      8436G-AD

### Post Caps

Flat    New York    New England    Ball    N.E. Ball    Queen    King

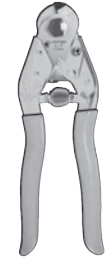
Part No.	Post Caps	Qty.	White: 01	Clay: 04	Black: 07
910010400-**-**	4" Flat Cap	210	\$4.59 ea.	\$5.97 ea.	\$6.66 ea.
910011400-**-**	4" New York Cap	60	\$7.34 ea.	\$9.54 ea.	n/a
910012400-**-**	4" New England Cap	32	\$14.71 ea.	\$19.12 ea.	\$21.33 ea.
910020400-**-**	4" Ball Cap	30	\$14.71 ea.	\$19.12 ea.	n/a
910022400-**-**	4" New England Ball Cap	32	\$20.85 ea.	\$27.11 ea.	n/a
910023400-**-**	4" Queen Cap	10	\$25.10 ea.	n/a	n/a
910024400-**-**	4" King Cap	30	\$25.10 ea.	n/a	n/a

Part No.	Post Trim	Qty.	White: 01	Clay: 04	Black: 07
950000400-**-**	4" Plain Post Trim	200	\$6.23 ea.	\$8.10 ea.	\$9.03 ea.
950020400-**-**	4" Classic Post Trim	32	\$7.15 ea.	\$9.30 ea.	\$10.37 ea.
950030400-**-**	4" Modular Trim Set (4-Pcs.)	60	\$19.30 ea.	n/a	n/a

Part No.	Post Mounts	Qty.	List
940843621-**-**	4" x 36" (4-Lag) 8436G-NT	100	\$81.78 ea.
940844221-**-**	4" x 42" (4-Lag) 8442G-NT	100	\$87.41 ea.
940843627-**-**	4" x 36" Plumb Perfect Pro 8436G-PP	110	\$96.33 ea.
940843628-**-**	4" x 36" Plumb Perfect Advantage 8436G-AD	110	\$83.89 ea.
940044207-**-**	Plumb Perfect Adapter Block for 42" High Railing	50	\$19.02 ea.

Both Plumb Perfect Post Mounts are not compatible with 54" Molded Newel Posts.  
Plumb Perfect Advantage Post Mounts are not compatible with any 4" Molded Newel Posts.

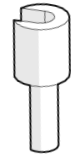
## CABLE RAILING TOOLS



Stainless Steel  
Cable Cutter



Cable  
Gripping Pliers



Cable  
Release Tool



Cable  
Threading Needle



Cable  
Tension Gauge



Cable Rust &  
Corrosion Protection  
Boeshield T-9



Cable Rust &  
Stain Remover  
Rust Free

Part No.	Stainless Steel Cable Tools and Supplies	Qty.	List
997903000-00	3/16" Allen Wrench (Short Arm)		\$17.53 ea.
997911000-00	Cable Gripping Pliers		\$80.49 ea.
997904000-00	Cable Release Tool		\$7.39 ea.
997905000-00	Cable Tension Gauge		\$236.96 ea.
997906000-00	Cable Threading Needle		\$7.46 ea.
997907000-00	7/16" Combination Wrench		\$17.53 ea.
997908000-00	Stainless Steel Cable Cutter		\$114.29 ea.

Part No.	Cable Roll	Qty.	List
934010100-00	100' 1/8" SS Cable Roll		\$99.66 ea.
934010500-00	500' 1/8" SS Cable Roll		\$441.73 ea.



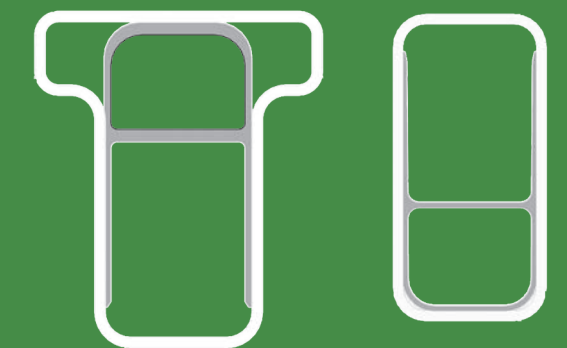
# 1000 SERIES

The sleek look of the 1000 Series makes it a favorite for those who prefer minimalist design, and the t-shaped top railing works for decks of all sizes and styles.

## COLOR



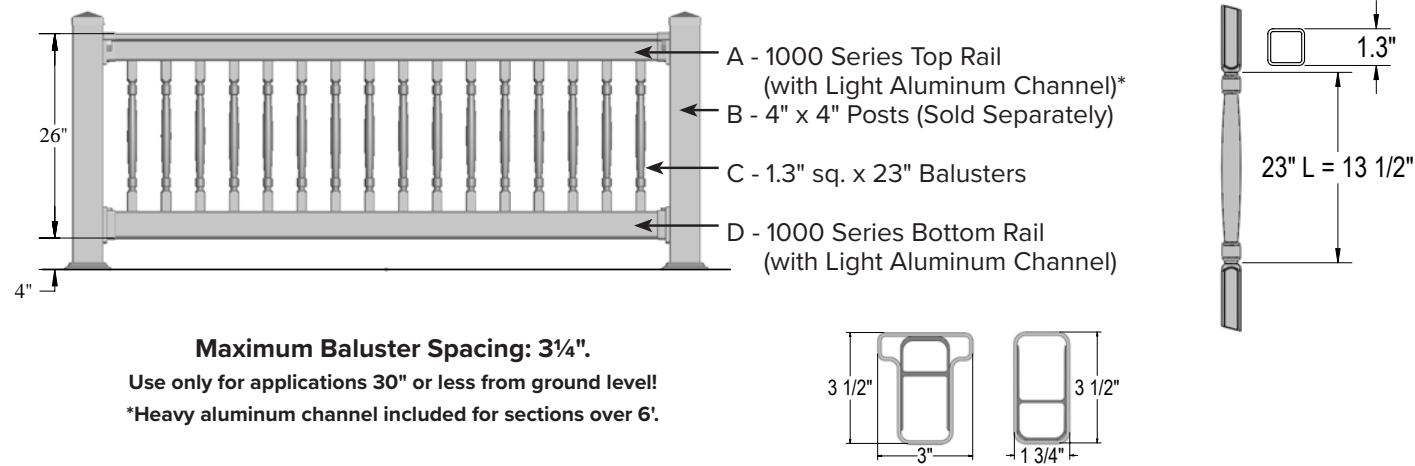
## PROFILE



**Important Notifications:**  
*Qty.* indicates Box or Skid quantities. The \*\* in Part Number represents the color codes. 1000 series railing sections do not include posts, caps or trim.

Terms: Net 30 days to approved accounts. Otherwise: Cash, check or money order. Prices F.O.B. New Holland, PA / Prices subject to change without notice.

# 1000 SERIES - 30" MADISON RAILING



**Maximum Baluster Spacing: 3 1/4".**  
 Use only for applications 30" or less from ground level!  
 \*Heavy aluminum channel included for sections over 6'.

Part No.	30" High Level Madison Railing	Qty.	White: 01	Almond: 03	Clay: 04
110301300-**-	Special Length Level Railing		\$53.28ft.	\$58.61ft.	\$69.26ft.

Part No.	30" High Stair Madison Railing	Qty.	White: 01	Almond: 03	Clay: 04
110302300-**-	Special Length Stair Railing		\$53.28ft.	\$58.61ft.	\$69.26ft.

↔ Specify Length (Does not include Brackets)

Part No.	Mounting Brackets (1000 Series)	Qty.	White: 01	Almond: 03	Clay: 04
930110400-**-	Level Rail, (4/Pk)	42	\$32.85pk.	\$36.14pk.	\$42.71pk.
930210400-**-	Stair Rail, 32°-36° (4/Pk)	42	\$32.85pk.	\$36.14pk.	\$42.71pk.
930200004-**-	Universal Stair Rail, 0° - 45° (4/Pk)	42	\$32.85pk.	\$36.14pk.	\$42.71pk.

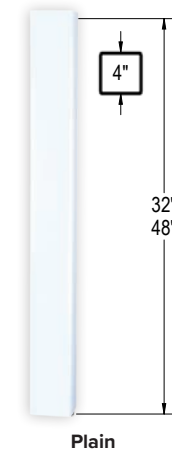
Part No.	30" High Madison Gates (Hardware not included)	Qty.	White: 01	Almond: 03	Clay: 04
110330300-**-	36" Wide Gate (Unassembled)		\$335.60ea.	\$369.16ea.	\$436.28ea.
110330300-**-	42" Wide Gate (Unassembled)		\$352.37ea.	\$387.60ea.	\$458.08ea.
110330300-**-	48" Wide Gate (Unassembled)		\$369.98ea.	\$406.98ea.	\$480.98ea.

Part No.	Gate Hardware	Qty.	White: 01	Black: 07
933000000-**-	Residential Hinge	12	n/a	\$100.54set
933010000-**-	Residential Latch	24	n/a	\$47.66ea.
930302120-**-	Regular Multi-Adjust Hinge (TCAMA2)	20	\$148.11set	\$148.11set
930312010-**-	Lockable Latch S2 (LLAA)	20	\$74.23ea.	\$74.23ea.

# ACCESSORIES

## Newel Posts

(more options: see Columns • Posts • Sleeves)



## Post Trim



## Post Caps

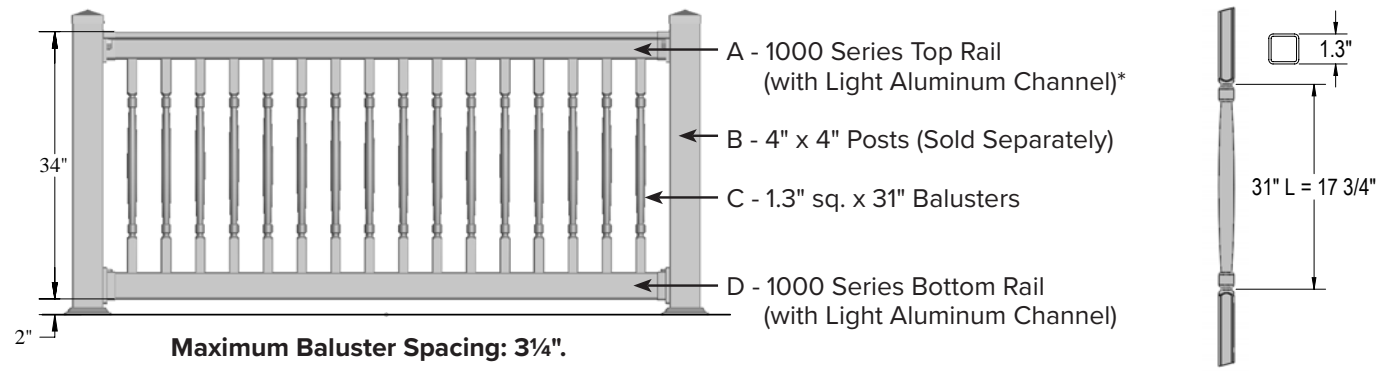


Part No.	Newel Posts	Qty.	White: 01	Almond: 03	Clay: 04
211504320-**-	4" x 32" Plain (.150 Wall)	50	\$18.18ea.	\$20.00ea.	\$23.64ea.
211504485-**-	4" x 48" Plain (.115 Wall)	50	\$22.79ea.	n/a	n/a
211504480-**-	4" x 48" Plain (.150 Wall)	50	\$27.26ea.	\$29.99ea.	\$35.44ea.

Part No.	Post Caps	Qty.	White: 01	Almond: 03	Clay: 04
910010400-**-	4" Flat Cap	210	\$4.59ea.	\$5.05ea.	\$5.97ea.
910011400-**-	4" New York Cap	60	\$7.34ea.	\$8.07ea.	\$9.54ea.
910012400-**-	4" New England Cap	32	\$14.71ea.	\$16.18ea.	\$19.12ea.
910020400-**-	4" Ball Cap	30	\$14.71ea.	\$16.18ea.	\$19.12ea.
910022400-**-	4" New England Ball Cap	32	\$20.85ea.	n/a	\$27.11ea.
910023400-**-	4" Queen Cap	10	\$25.10ea.	\$27.61ea.	n/a
910024400-**-	4" King Cap	30	\$25.10ea.	n/a	n/a

Part No.	Post Trim	Qty.	White: 01	Almond: 03	Clay: 04
950000400-**-	4" Plain Post Trim	200	\$6.23ea.	\$6.85ea.	\$8.10ea.
950020400-**-	4" Classic Post Trim	32	\$7.15ea.	\$7.87ea.	\$9.30ea.
950030400-**-	4" Modular Trim Set (4-Pcs.)	60	\$19.30ea.	\$21.23ea.	n/a

# 1000 SERIES - 36" MADISON RAILING



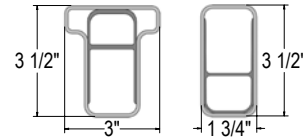
**Maximum Baluster Spacing: 3 1/4".**

\*Heavy aluminum channel included for sections over 6'.

~ Indicates which boxed sections are normally in stock.

Boxed section includes: top & bottom rails with aluminum inserts, balusters, mounting brackets with screws, and installation guide.

Posts, caps and trim sold separately.



Part No.	36" High Level Madison Railing	Qty.	White: 01	Almond: 03	Clay: 04
110311364-**	4' Level Boxed Section	24	\$192.09ea.	\$211.30ea.	\$249.71ea.
110311366-**	6' Level Boxed Section	24	\$288.13ea.	\$316.94ea.	\$374.56ea.
110311368-**	8' Level Boxed Section	24	\$384.18ea.	\$422.60ea.	\$499.44ea.
110311361-**	10' Level Boxed Section	24	\$480.22ea.	\$528.24ea.	\$624.29ea.
110301360-**	Special Length Level Railing		\$56.68ft.	\$62.35ft.	\$73.69ft.

Part No.	36" High Stair Madison Railing	Qty.	White: 01	Almond: 03	Clay: 04
110312364-**	4' Stair Boxed Section (32°-36°)	24	\$192.09ea.	\$211.30ea.	\$249.71ea.
110312366-**	6' Stair Boxed Section (32°-36°)	24	\$288.13ea.	\$316.94ea.	\$374.56ea.
110312368-**	8' Stair Boxed Section (32°-36°)	24	\$384.18ea.	\$422.60ea.	\$499.44ea.
110312361-**	10' Stair Boxed Section (32°-36°)	24	\$480.22ea.	\$528.24ea.	\$624.29ea.
110302360-**	Special Length Stair Railing		\$56.68ft.	\$62.35ft.	\$73.69ft.

↔ Specify Length (Does not include Brackets)

Part No.	Mounting Brackets (1000 Series)	Qty.	White: 01	Almond: 03	Clay: 04
930110400-**	Level Rail, (4/Pk)	42	\$32.85pk.	\$36.14pk.	\$42.71pk.
930210400-**	Stair Rail, 32°-36° (4/Pk)	42	\$32.85pk.	\$36.14pk.	\$42.71pk.
930200004-**	Universal Stair Rail, 0° - 45° (4/Pk)	42	\$32.85pk.	\$36.14pk.	\$42.71pk.

Part No.	36" High Madison Gates (Hardware not included)	Qty.	White: 01	Almond: 03	Clay: 04
110330360-**	36" Wide Gate (Unassembled)		\$357.06ea.	\$392.76ea.	\$464.17ea.
110330360-**	42" Wide Gate (Unassembled)		\$374.88ea.	\$412.36ea.	\$487.34ea.
110330360-**	48" Wide Gate (Unassembled)		\$393.63ea.	\$433.00ea.	\$511.72ea.

Part No.	Gate Hardware	Qty.	White: 01	Black: 07
933000000-**	Residential Hinge	12	n/a	\$100.54set
933010000-**	Residential Latch	24	n/a	\$47.66ea.
930302120-**	Regular Multi-Adjust Hinge (TCAMA2)	20	\$148.11set	\$148.11set
930312010-**	Lockable Latch S2 (LLAA)	20	\$74.23ea.	\$74.23ea.

# ACCESSORIES

### Newel Posts

(more options: see Columns • Posts • Sleeves)

Plain  
Madison

### Post Trim

Plain  
Classic  
Modular

### Post Mounts

(more options: see Columns • Posts • Sleeves)

8436G-NT  
8442G-NT  
8436G-PP  
8436G-AD

### Post Caps

Flat  
New York  
New England  
Ball  
N.E. Ball  
Queen  
King

Part No.	Newel Posts	Qty.	White: 01	Almond: 03	Clay: 04
211504395-**	4" x 39" Plain (.115 Wall)	50	\$18.51ea.	n/a	n/a
211504485-**	4" x 48" Plain (.115 Wall)	50	\$22.79ea.	n/a	n/a
211504390-**	4" x 39" Plain (.150 Wall)	50	\$22.16ea.	\$24.38ea.	\$28.81ea.
211504480-**	4" x 48" Plain (.150 Wall)	50	\$27.26ea.	\$29.99ea.	\$35.44ea.
210304380-**	4" x 38" Madison	60	\$57.43ea.	\$63.18ea.	\$74.66ea.
210304540-**	4" x 54" Madison (Stair)	60	\$83.39ea.	\$91.73ea.	\$108.41ea.

Part No.	Post Caps	Qty.	White: 01	Almond: 03	Clay: 04
910010400-**	4" Flat Cap	210	\$4.59ea.	\$5.05ea.	\$5.97ea.
910011400-**	4" New York Cap	60	\$7.34ea.	\$8.07ea.	\$9.54ea.
910012400-**	4" New England Cap	32	\$14.71ea.	\$16.18ea.	\$19.12ea.
910020400-**	4" Ball Cap	30	\$14.71ea.	\$16.18ea.	\$19.12ea.
910022400-**	4" New England Ball Cap	32	\$20.85ea.	n/a	\$27.11ea.
910023400-**	4" Queen Cap	10	\$25.10ea.	\$27.61ea.	n/a
910024400-**	4" King Cap	30	\$25.10ea.	n/a	n/a

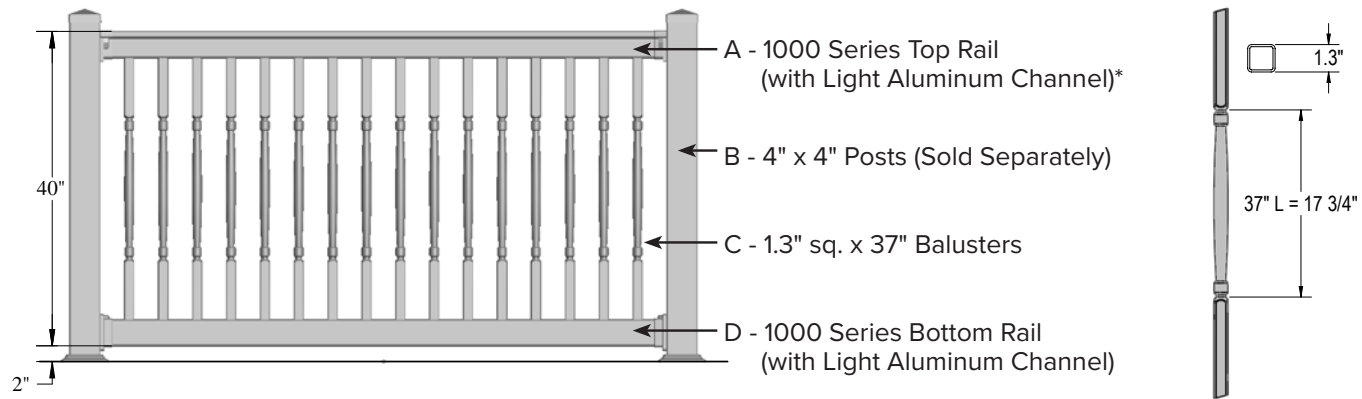
Part No.	Post Trim	Qty.	White: 01	Almond: 03	Clay: 04
950000400-**	4" Plain Post Trim	200	\$6.23ea.	\$6.85ea.	\$8.10ea.
950020400-**	4" Classic Post Trim	32	\$7.15ea.	\$7.87ea.	\$9.30ea.
950030400-**	4" Modular Trim Set (4-Pcs.)	60	\$19.30ea.	\$21.23ea.	n/a

Part No.	Post Mounts	Qty.	List
940843621-**	4" x 36" (4-Lag) 8436G-NT	100	\$81.78ea.
940844221-**	4" x 42" (4-Lag) 8442G-NT	100	\$87.41ea.
940843627-**	4" x 36" Plumb Perfect Pro 8436G-PP	110	\$96.33ea.
940843628-**	4" x 36" Plumb Perfect Advantage 8436G-AD	110	\$83.89ea.

Both Plumb Perfect Post Mounts are not compatible with 54" Molded Newel Posts.

Plumb Perfect Advantage Post Mounts are not compatible with any 4" Molded Newel Posts.

# 1000 SERIES - 42" MADISON RAILING

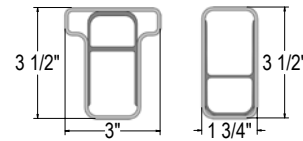


**Maximum Baluster Spacing: 3 1/4".**

\*Heavy aluminum channel included for sections over 6'.

Boxed section includes: top & bottom rails with aluminum inserts, balusters, mounting brackets with screws, and installation guide.

Posts, caps and trim sold separately.



Part No.	42" High Level Madison Railing	Qty.	White: 01	Almond: 03	Clay: 04
110311424-**	4' Level Boxed Section	24	\$203.65ea.	\$224.02ea.	\$264.75ea.
110311426-**	6' Level Boxed Section	24	\$305.50ea.	\$336.05ea.	\$397.14ea.
110311428-**	8' Level Boxed Section	24	\$407.31ea.	\$448.04ea.	\$529.51ea.
110301420-**	Special Length Level Railing		\$60.08ft.	\$66.09ft.	\$78.11ft.

Part No.	42" High Stair Madison Railing	Qty.	White: 01	Almond: 03	Clay: 04
110312424-**	4' Stair Boxed Section (32°-36°)	24	\$203.65ea.	\$224.02ea.	\$264.75ea.
110312426-**	6' Stair Boxed Section (32°-36°)	24	\$305.50ea.	\$336.05ea.	\$397.14ea.
110312428-**	8' Stair Boxed Section (32°-36°)	24	\$407.31ea.	\$448.04ea.	\$529.51ea.
110302420-**	Special Length Stair Railing		\$60.08ft.	\$66.09ft.	\$78.11ft.

← Specify Length (Does not include Brackets)

Part No.	Mounting Brackets (1000 Series)	Qty.	White: 01	Almond: 03	Clay: 04
930110400-**	Level Rail, (4/Pk)	42	\$32.85pk.	\$36.14pk.	\$42.71pk.
930210400-**	Stair Rail, 32°-36° (4/Pk)	42	\$32.85pk.	\$36.14pk.	\$42.71pk.
930200004-**	Universal Stair Rail, 0° - 45° (4/Pk)	42	\$32.85pk.	\$36.14pk.	\$42.71pk.

Part No.	42" High Madison Gates (Hardware not included)	Qty.	White: 01	Almond: 03	Clay: 04
110330420-**	36" Wide Gate (Unassembled)		\$378.43ea.	\$416.28ea.	\$491.96ea.
110330420-**	42" Wide Gate (Unassembled)		\$397.34ea.	\$437.08ea.	\$516.54ea.
110330420-**	48" Wide Gate (Unassembled)		\$417.23ea.	\$458.95ea.	\$542.40ea.

Part No.	Gate Hardware	Qty.	White: 01	Black: 07
933000000-**	Residential Hinge	12	n/a	\$100.54set
933010000-**	Residential Latch	24	n/a	\$47.66ea.
930302120-**	Regular Multi-Adjust Hinge (TCAMA2)	20	\$148.11set	\$148.11set
930312010-**	Lockable Latch S2 (LLAA)	20	\$74.23ea.	\$74.23ea.

# ACCESSORIES

### Newel Posts

(more options: see Columns • Posts • Sleeves)

Plain: 48" x 4"  
Madison: 54" x 4"

### Post Trim

Plain  
Classic  
Modular

### Post Mounts

(more options: see Columns • Posts • Sleeves)

8436G-NT: 34 1/2"  
8442G-NT: 41 1/2"  
8436G-PP: 31 7/8"  
8436G-AD: 32 1/2"  
Adapter Block: 3 9/16" x 6 3/4"

### Post Caps

Flat, New York, New England, Ball, N.E. Ball, Queen, King

Part No.	Newel Posts	Qty.	White: 01	Almond: 03	Clay: 04
211504485-**	4" x 48" Plain (.115 Wall)	50	\$22.79ea.	n/a	n/a
211504545-**	4" x 54" Plain (.115 Wall)	50	\$25.63ea.	n/a	n/a
211504480-**	4" x 48" Plain (.150 Wall)	50	\$27.26ea.	\$29.99ea.	\$35.44ea.
211504540-**	4" x 54" Plain (.150 Wall)	50	\$30.68ea.	\$33.74ea.	\$39.88ea.
210304540-**	4" x 54" Madison (Stair)	60	\$83.39ea.	\$91.73ea.	\$108.41ea.

Part No.	Post Caps	Qty.	White: 01	Almond: 03	Clay: 04
910010400-**	4" Flat Cap	210	\$4.59ea.	\$5.05ea.	\$5.97ea.
910011400-**	4" New York Cap	60	\$7.34ea.	\$8.07ea.	\$9.54ea.
910012400-**	4" New England Cap	32	\$14.71ea.	\$16.18ea.	\$19.12ea.
910020400-**	4" Ball Cap	30	\$14.71ea.	\$16.18ea.	\$19.12ea.
910022400-**	4" New England Ball Cap	32	\$20.85ea.	n/a	\$27.11ea.
910023400-**	4" Queen Cap	10	\$25.10ea.	\$27.61ea.	n/a
910024400-**	4" King Cap	30	\$25.10ea.	n/a	n/a

Part No.	Post Trim	Qty.	White: 01	Almond: 03	Clay: 04
950000400-**	4" Plain Post Trim	200	\$6.23ea.	\$6.85ea.	\$8.10ea.
950020400-**	4" Classic Post Trim	32	\$7.15ea.	\$7.87ea.	\$9.30ea.
950030400-**	4" Modular Trim Set (4-Pcs.)	60	\$19.30ea.	\$21.23ea.	n/a

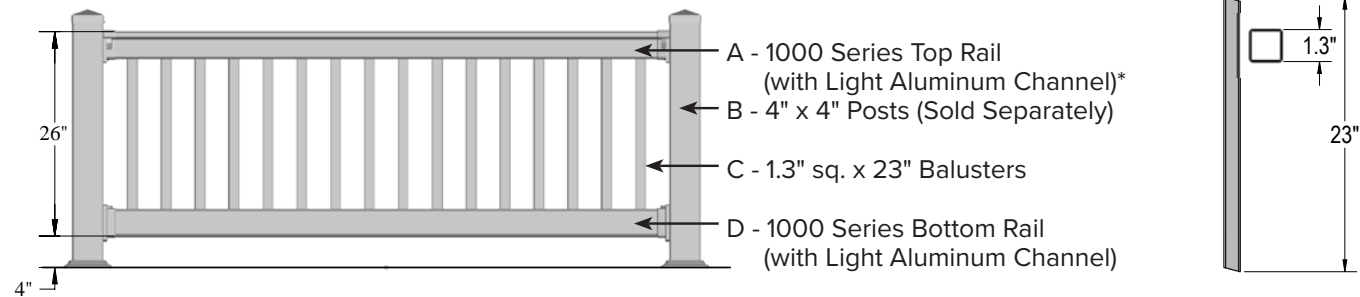
Part No.	Post Mounts	Qty.	List
940843621-**	4" x 36" (4-Lag) 8436G-NT	100	\$81.78ea.
940844221-**	4" x 42" (4-Lag) 8442G-NT	100	\$87.41ea.
940843627-**	4" x 36" Plumb Perfect Pro 8436G-PP	110	\$96.33ea.
940843628-**	4" x 36" Plumb Perfect Advantage 8436G-AD	110	\$83.89ea.
940044207-**	Plumb Perfect Adapter Block for 42" High Railing	50	\$19.02ea.

Both Plumb Perfect Post Mounts are not compatible with 54" Molded Newel Posts.

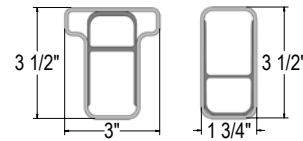
Plumb Perfect Advantage Post Mounts are not compatible with any 4" Molded Newel Posts.



# 1000 SERIES - 30" MODEL RAILING



**Maximum Baluster Spacing: 3 1/4".**  
 Use only for applications 30" or less from ground level!  
 \*Heavy aluminum channel included for sections over 6'.



Part No.	30" High Level Model Railing	Qty.	White: 01	Almond: 03	Clay: 04
111501300-**-	Special Length Level Railing		\$41.55ft.	\$45.71ft.	\$54.02ft.

Part No.	30" High Stair Model Railing	Qty.	White: 01	Almond: 03	Clay: 04
111502300-**-	Special Length Stair Railing		\$41.55ft.	\$45.71ft.	\$54.02ft.

← Specify Length (Does not include Brackets)

Part No.	Mounting Brackets (1000 Series)	Qty.	White: 01	Almond: 03	Clay: 04
930110400-**-	Level Rail, (4/Pk)	42	\$32.85pk.	\$36.14pk.	\$42.71pk.
930210400-**-	Stair Rail, 32°-36° (4/Pk)	42	\$32.85pk.	\$36.14pk.	\$42.71pk.
930200004-**-	Universal Stair Rail, 0° - 45° (4/Pk)	42	\$32.85pk.	\$36.14pk.	\$42.71pk.

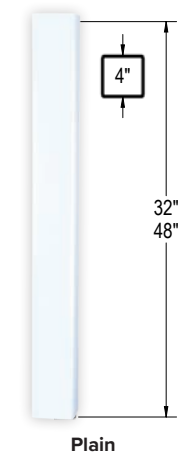
Part No.	30" High Model Gates (Hardware not included)	Qty.	White: 01	Almond: 03	Clay: 04
111530300-**-	36" Wide Gate (Unassembled)		\$261.75ea.	\$287.92ea.	\$340.27ea.
111530300-**-	42" Wide Gate (Unassembled)		\$274.85ea.	\$302.34ea.	\$357.31ea.
111530300-**-	48" Wide Gate (Unassembled)		\$288.59ea.	\$317.44ea.	\$375.16ea.

Part No.	Gate Hardware	Qty.	White: 01	Black: 07
933000000-**-	Residential Hinge	12	n/a	\$100.54set
933010000-**-	Residential Latch	24	n/a	\$47.66ea.
930302120-**-	Regular Multi-Adjust Hinge (TCAMA2)	20	\$148.11set	\$148.11set
930312010-**-	Lockable Latch S2 (LLAA)	20	\$74.23ea.	\$74.23ea.

# ACCESSORIES

## Newel Posts

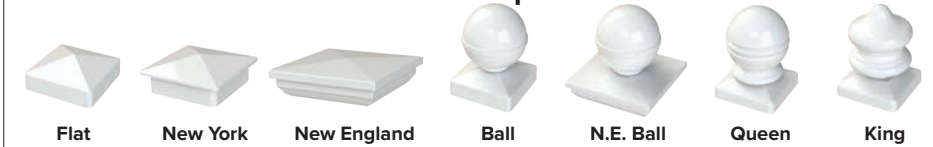
(more options: see Columns • Posts • Sleeves)



## Post Trim



## Post Caps

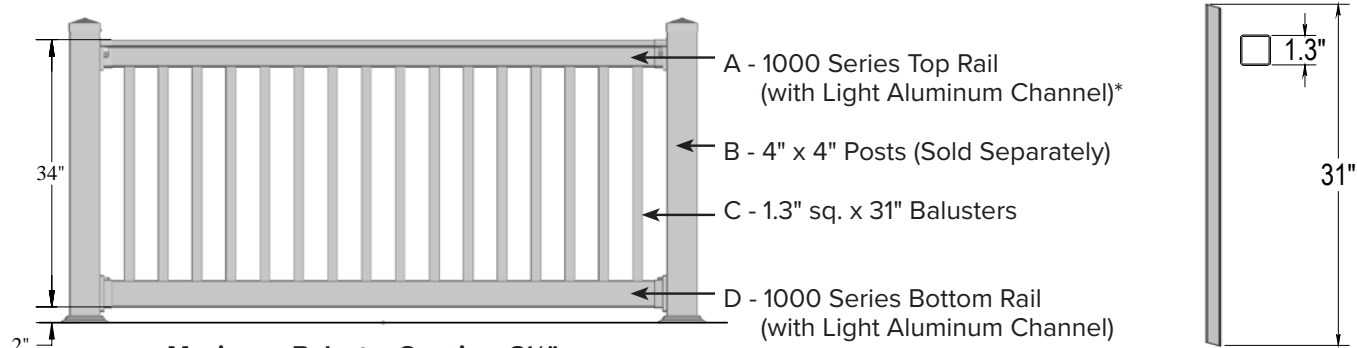


Part No.	Newel Posts	Qty.	White: 01	Almond: 03	Clay: 04
211504320-**-	4" x 32" Plain (.150 Wall)	50	\$18.18ea.	\$20.00ea.	\$23.64ea.
211504485-**-	4" x 48" Plain (.115 Wall)	50	\$22.79ea.	n/a	n/a
211504480-**-	4" x 48" Plain (.150 Wall)	50	\$27.26ea.	\$29.99ea.	\$35.44ea.

Part No.	Post Caps	Qty.	White: 01	Almond: 03	Clay: 04
910010400-**-	4" Flat Cap	210	\$4.59ea.	\$5.05ea.	\$5.97ea.
910011400-**-	4" New York Cap	60	\$7.34ea.	\$8.07ea.	\$9.54ea.
910012400-**-	4" New England Cap	32	\$14.71ea.	\$16.18ea.	\$19.12ea.
910020400-**-	4" Ball Cap	30	\$14.71ea.	\$16.18ea.	\$19.12ea.
910022400-**-	4" New England Ball Cap	32	\$20.85ea.	n/a	\$27.11ea.
910023400-**-	4" Queen Cap	10	\$25.10ea.	\$27.61ea.	n/a
910024400-**-	4" King Cap	30	\$25.10ea.	n/a	n/a

Part No.	Post Trim	Qty.	White: 01	Almond: 03	Clay: 04
950000400-**-	4" Plain Post Trim	200	\$6.23ea.	\$6.85ea.	\$8.10ea.
950020400-**-	4" Classic Post Trim	32	\$7.15ea.	\$7.87ea.	\$9.30ea.
950030400-**-	4" Modular Trim Set (4-Pcs.)	60	\$19.30ea.	\$21.23ea.	n/a

# 1000 SERIES - 36" MODEL RAILING



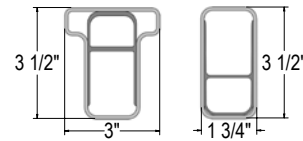
**Maximum Baluster Spacing: 3 1/4".**

\*Heavy aluminum channel included for sections over 6'.

~ Indicates which boxed sections are normally in stock.

Boxed section includes: top & bottom rails with aluminum inserts, balusters, mounting brackets with screws, and installation guide.

Posts, caps and trim sold separately.



Part No.	36" High Level Model Railing	Qty.	White: 01	Almond: 03	Clay: 04
111511364-**	4' Level Boxed Section	24	\$149.85ea.	\$164.84ea.	\$194.81ea.
111511366-**	6' Level Boxed Section	24	\$224.77ea.	\$247.24ea.	\$292.20ea.
111511368-**	8' Level Boxed Section	24	\$299.71ea.	\$329.68ea.	\$389.62ea.
111511361-**	10' Level Boxed Section	24	\$374.63ea.	\$412.10ea.	\$487.02ea.
111501360-**	Special Length Level Railing		\$44.21ft.	\$48.63ft.	\$57.47ft.

Part No.	36" High Stair Model Railing	Qty.	White: 01	Almond: 03	Clay: 04
111512364-**	4' Stair Boxed Section (32°-36°)	24	\$149.85ea.	\$164.84ea.	\$194.81ea.
111512366-**	6' Stair Boxed Section (32°-36°)	24	\$224.77ea.	\$247.24ea.	\$292.20ea.
111512368-**	8' Stair Boxed Section (32°-36°)	24	\$299.71ea.	\$329.68ea.	\$389.62ea.
111512361-**	10' Stair Boxed Section (32°-36°)	24	\$374.63ea.	\$412.10ea.	\$487.02ea.
111502360-**	Special Length Stair Railing		\$44.21ft.	\$48.63ft.	\$57.47ft.

↔ Specify Length (Does not include Brackets)

Part No.	Mounting Brackets (1000 Series)	Qty.	White: 01	Almond: 03	Clay: 04
930110400-**	Level Rail, (4/Pk)	42	\$32.85pk.	\$36.14pk.	\$42.71pk.
930210400-**	Stair Rail, 32°-36° (4/Pk)	42	\$32.85pk.	\$36.14pk.	\$42.71pk.
930200004-**	Universal Stair Rail, 0° - 45° (4/Pk)	42	\$32.85pk.	\$36.14pk.	\$42.71pk.

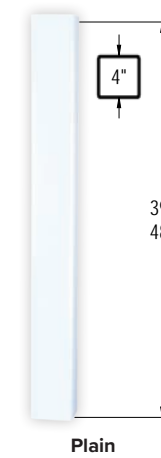
Part No.	36" High Model Gates (Hardware not included)	Qty.	White: 01	Almond: 03	Clay: 04
111530360-**	36" Wide Gate (Unassembled)		\$278.51ea.	\$306.37ea.	\$362.07ea.
111530360-**	42" Wide Gate (Unassembled)		\$292.43ea.	\$321.67ea.	\$380.16ea.
111530360-**	48" Wide Gate (Unassembled)		\$307.05ea.	\$337.76ea.	\$399.17ea.

Part No.	Gate Hardware	Qty.	White: 01	Black: 07
933000000-**	Residential Hinge	12	n/a	\$100.54set
933010000-**	Residential Latch	24	n/a	\$47.66ea.
930302120-**	Regular Multi-Adjust Hinge (TCAMA2)	20	\$148.11set	\$148.11set
930312010-**	Lockable Latch S2 (LLAA)	20	\$74.23ea.	\$74.23ea.

# ACCESSORIES

## Newel Posts

(more options: see Columns • Posts • Sleeves)



Plain

## Post Trim



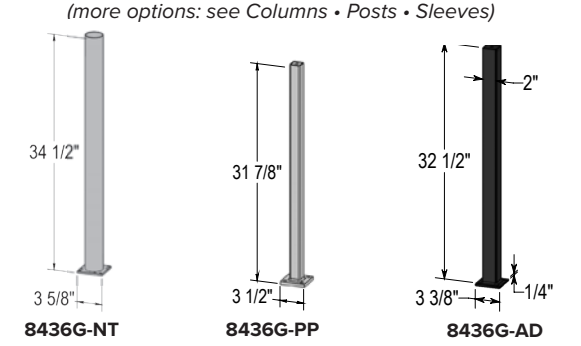
Plain

Classic

Modular

## Post Mounts

(more options: see Columns • Posts • Sleeves)



8436G-NT

8436G-PP

8436G-AD

## Post Caps



Flat

New York

New England

Ball

N.E. Ball

Queen

King

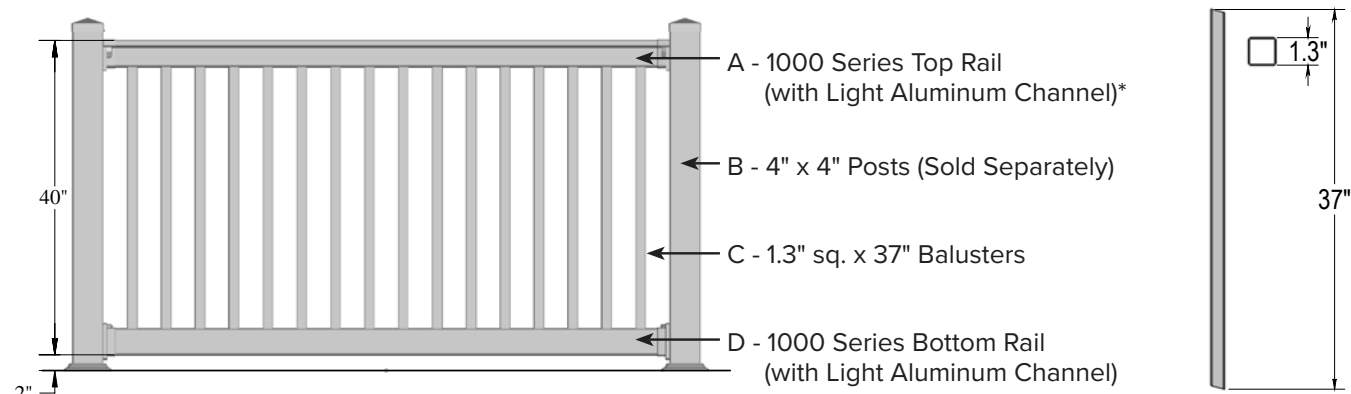
Part No.	Newel Posts	Qty.	White: 01	Almond: 03	Clay: 04
211504395-**	4" x 39" Plain (.115 Wall)	50	\$18.51ea.	n/a	n/a
211504485-**	4" x 48" Plain (.115 Wall)	50	\$22.79ea.	n/a	n/a
211504390-**	4" x 39" Plain (.150 Wall)	50	\$22.16ea.	\$24.38ea.	\$28.81ea.
211504480-**	4" x 48" Plain (.150 Wall)	50	\$27.26ea.	\$29.99ea.	\$35.44ea.

Part No.	Post Caps	Qty.	White: 01	Almond: 03	Clay: 04
910010400-**	4" Flat Cap	210	\$4.59ea.	\$5.05ea.	\$5.97ea.
910011400-**	4" New York Cap	60	\$7.34ea.	\$8.07ea.	\$9.54ea.
910012400-**	4" New England Cap	32	\$14.71ea.	\$16.18ea.	\$19.12ea.
910020400-**	4" Ball Cap	30	\$14.71ea.	\$16.18ea.	\$19.12ea.
910022400-**	4" New England Ball Cap	32	\$20.85ea.	n/a	\$27.11ea.
910023400-**	4" Queen Cap	10	\$25.10ea.	\$27.61ea.	n/a
910024400-**	4" King Cap	30	\$25.10ea.	n/a	n/a

Part No.	Post Trim	Qty.	White: 01	Almond: 03	Clay: 04
950000400-**	4" Plain Post Trim	200	\$6.23ea.	\$6.85ea.	\$8.10ea.
950020400-**	4" Classic Post Trim	32	\$7.15ea.	\$7.87ea.	\$9.30ea.
950030400-**	4" Modular Trim Set (4-Pcs.)	60	\$19.30ea.	\$21.23ea.	n/a

Part No.	Post Mounts	Qty.	List
940843621-**	4" x 36" (4-Lag) 8436G-NT	100	\$81.78ea.
940843627-**	4" x 36" Plumb Perfect Pro 8436G-PP	110	\$96.33ea.
940843628-**	4" x 36" Plumb Perfect Advantage 8436G-AD	110	\$83.89ea.

# 1000 SERIES - 42" MODEL RAILING

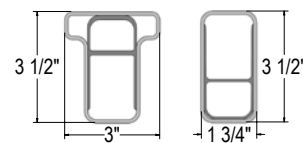


**Maximum Baluster Spacing: 3 1/4".**

\*Heavy aluminum channel included for sections over 6'.

Boxed section includes: top & bottom rails with aluminum inserts, balusters, mounting brackets with screws, and installation guide.

Posts, caps and trim sold separately.



Part No.	42" High Level Model Railing	Qty.	White: 01	Almond: 03	Clay: 04
111511424-**	4' Level Boxed Section	24	\$158.86ea.	\$174.74ea.	\$206.52ea.
111511426-**	6' Level Boxed Section	24	\$238.29ea.	\$262.12ea.	\$309.78ea.
111511428-**	8' Level Boxed Section	24	\$317.73ea.	\$349.50ea.	\$413.05ea.
111501420-**	Special Length Level Railing		\$46.88ft.	\$51.57ft.	\$60.95ft.

Part No.	42" High Stair Model Railing	Qty.	White: 01	Almond: 03	Clay: 04
111512424-**	4' Stair Boxed Section (32°-36°)	24	\$158.86ea.	\$174.74ea.	\$206.52ea.
111512426-**	6' Stair Boxed Section (32°-36°)	24	\$238.29ea.	\$262.12ea.	\$309.78ea.
111512428-**	8' Stair Boxed Section (32°-36°)	24	\$317.73ea.	\$349.50ea.	\$413.05ea.
111502420-**	Special Length Stair Railing		\$46.88ft.	\$51.57ft.	\$60.95ft.

↔ Specify Length (Does not include Brackets)

Part No.	Mounting Brackets (1000 Series)	Qty.	White: 01	Almond: 03	Clay: 04
930110400-**	Level Rail, (4/Pk)	42	\$32.85pk.	\$36.14pk.	\$42.71pk.
930210400-**	Stair Rail, 32°-36° (4/Pk)	42	\$32.85pk.	\$36.14pk.	\$42.71pk.
930200004-**	Universal Stair Rail, 0° - 45° (4/Pk)	42	\$32.85pk.	\$36.14pk.	\$42.71pk.

Part No.	42" High Model Gates (Hardware not included)	Qty.	White: 01	Almond: 03	Clay: 04
111530420-**	36" Wide Gate (Unassembled)		\$295.25ea.	\$324.77ea.	\$383.82ea.
111530420-**	42" Wide Gate (Unassembled)		\$310.01ea.	\$341.02ea.	\$403.02ea.
111530420-**	48" Wide Gate (Unassembled)		\$325.51ea.	\$358.06ea.	\$423.17ea.

Part No.	Gate Hardware	Qty.	White: 01	Black: 07
933000000-**	Residential Hinge	12	n/a	\$100.54set
933010000-**	Residential Latch	24	n/a	\$47.66ea.
930302120-**	Regular Multi-Adjust Hinge (TCAMA2)	20	\$148.11set	\$148.11set
930312010-**	Lockable Latch S2 (LLAA)	20	\$74.23ea.	\$74.23ea.

# ACCESSORIES

### Newel Posts

(more options: see Columns • Posts • Sleeves)

Plain

### Post Trim

Plain  
Classic  
Modular

### Post Mounts

(more options: see Columns • Posts • Sleeves)

8436G-NT 8442G-NT 8436G-PP 8436G-AD Adapter Block

### Post Caps

Flat New York New England Ball N.E. Ball Queen King

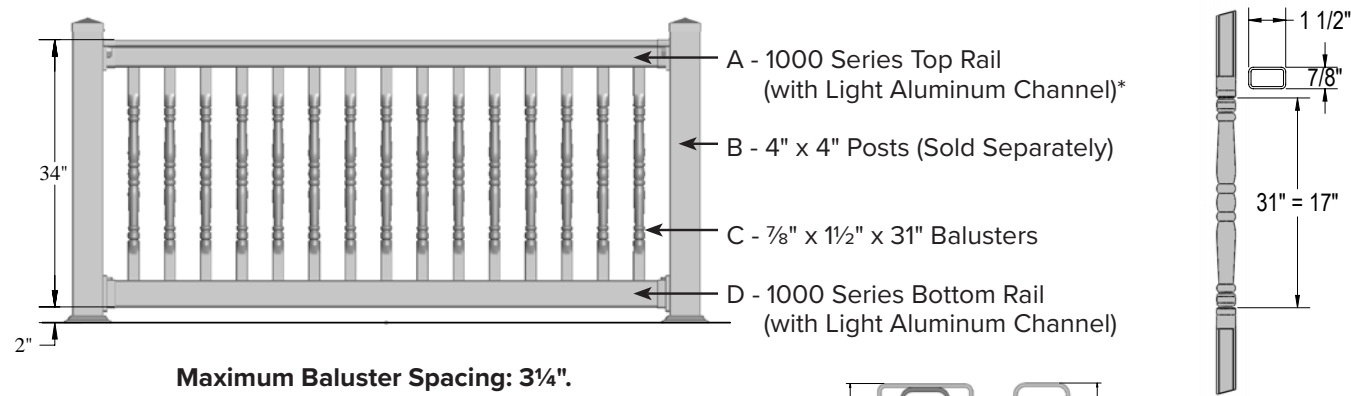
Part No.	Newel Posts	Qty.	White: 01	Almond: 03	Clay: 04
211504485-**	4" x 48" Plain (.115 Wall)	50	\$22.79ea.	n/a	n/a
211504545-**	4" x 54" Plain (.115 Wall)	50	\$25.63ea.	n/a	n/a
211504480-**	4" x 48" Plain (.150 Wall)	50	\$27.26ea.	\$29.99ea.	\$35.44ea.
211504540-**	4" x 54" Plain (.150 Wall)	50	\$30.68ea.	\$33.74ea.	\$39.88ea.

Part No.	Post Caps	Qty.	White: 01	Almond: 03	Clay: 04
910010400-**	4" Flat Cap	210	\$4.59ea.	\$5.05ea.	\$5.97ea.
910011400-**	4" New York Cap	60	\$7.34ea.	\$8.07ea.	\$9.54ea.
910012400-**	4" New England Cap	32	\$14.71ea.	\$16.18ea.	\$19.12ea.
910020400-**	4" Ball Cap	30	\$14.71ea.	\$16.18ea.	\$19.12ea.
910022400-**	4" New England Ball Cap	32	\$20.85ea.	n/a	\$27.11ea.
910023400-**	4" Queen Cap	10	\$25.10ea.	\$27.61ea.	n/a
910024400-**	4" King Cap	30	\$25.10ea.	n/a	n/a

Part No.	Post Trim	Qty.	White: 01	Almond: 03	Clay: 04
950000400-**	4" Plain Post Trim	200	\$6.23ea.	\$6.85ea.	\$8.10ea.
950020400-**	4" Classic Post Trim	32	\$7.15ea.	\$7.87ea.	\$9.30ea.
950030400-**	4" Modular Trim Set (4-Pcs.)	60	\$19.30ea.	\$21.23ea.	n/a

Part No.	Post Mounts	Qty.	List
940843621-**	4" x 36" (4-Lag) 8436G-NT	100	\$81.78ea.
940844221-**	4" x 42" (4-Lag) 8442G-NT	100	\$87.41ea.
940843627-**	4" x 36" Plumb Perfect Pro 8436G-PP	110	\$96.33ea.
940843628-**	4" x 36" Plumb Perfect Advantage 8436G-AD	110	\$83.89ea.
940044207-**	Plumb Perfect Adapter Block for 42" High Railing	50	\$19.02ea.

# 1000 SERIES - 36" TRADITIONAL RAILING

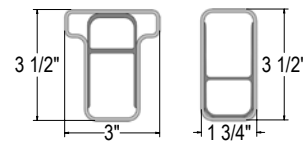


**Maximum Baluster Spacing: 3 1/4".**

\*Heavy aluminum channel included for sections over 6'.

Boxed section includes: top & bottom rails with aluminum inserts, balusters, mounting brackets with screws, and installation guide.

Posts, caps and trim sold separately.



Part No.	36" High Level Traditional Railing	Qty.	White: 01	Almond: 03	Clay: 04
110411364-**	4' Level Boxed Section	24	\$211.29ea.	\$232.42ea.	\$274.68ea.
110411366-**	6' Level Boxed Section	24	\$316.93ea.	\$348.62ea.	\$412.00ea.
110411368-**	8' Level Boxed Section	24	\$422.58ea.	\$464.83ea.	\$549.35ea.
110411361-**	10' Level Boxed Section	24	\$528.22ea.	\$581.04ea.	\$686.68ea.
110401360-**	Special Length Level Railing		\$62.34ft.	\$68.58ft.	\$81.05ft.

Part No.	36" High Stair Traditional Railing	Qty.	White: 01	Almond: 03	Clay: 04
110412364-**	4' Stair Boxed Section (32°-36°)	24	\$211.29ea.	\$232.42ea.	\$274.68ea.
110412366-**	6' Stair Boxed Section (32°-36°)	24	\$316.93ea.	\$348.62ea.	\$412.00ea.
110412368-**	8' Stair Boxed Section (32°-36°)	24	\$422.58ea.	\$464.83ea.	\$549.35ea.
110412361-**	10' Stair Boxed Section (32°-36°)	24	\$528.22ea.	\$581.04ea.	\$686.68ea.
110402360-**	Special Length Stair Railing		\$62.34ft.	\$68.58ft.	\$81.05ft.

↔ Specify Length (Does not include Brackets)

Part No.	Mounting Brackets (1000 Series)	Qty.	White: 01	Almond: 03	Clay: 04
930110400-**	Level Rail, (4/Pk)	42	\$32.85pk.	\$36.14pk.	\$42.71pk.
930210400-**	Stair Rail, 32°-36° (4/Pk)	42	\$32.85pk.	\$36.14pk.	\$42.71pk.
930200004-**	Universal Stair Rail, 0° - 45° (4/Pk)	42	\$32.85pk.	\$36.14pk.	\$42.71pk.

Part No.	36" High Traditional Gates (Hardware not included)	Qty.	White: 01	Almond: 03	Clay: 04
110430360-**	36" Wide Gate (Unassembled)		\$357.06ea.	\$392.76ea.	\$464.17ea.
110430360-**	42" Wide Gate (Unassembled)		\$374.88ea.	\$412.36ea.	\$487.34ea.
110430360-**	48" Wide Gate (Unassembled)		\$393.63ea.	\$433.00ea.	\$511.72ea.

Part No.	Gate Hardware	Qty.	White: 01	Black: 07
933000000-**	Residential Hinge	12	n/a	\$100.54set
933010000-**	Residential Latch	24	n/a	\$47.66ea.
930302120-**	Regular Multi-Adjust Hinge (TCAMA2)	20	\$148.11set	\$148.11set
930312010-**	Lockable Latch S2 (LLAA)	20	\$74.23ea.	\$74.23ea.

# ACCESSORIES

### Newel Posts

(more options: see Columns • Posts • Sleeves)

### Post Trim

### Post Mounts

(more options: see Columns • Posts • Sleeves)

### Post Caps

Part No.	Newel Posts	Qty.	White: 01	Almond: 03	Clay: 04
211504395-**	4" x 39" Plain (.115 Wall)	50	\$18.51ea.	n/a	n/a
211504485-**	4" x 48" Plain (.115 Wall)	50	\$22.79ea.	n/a	n/a
211504390-**	4" x 39" Plain (.150 Wall)	50	\$22.16ea.	\$24.38ea.	\$28.81ea.
211504480-**	4" x 48" Plain (.150 Wall)	50	\$27.26ea.	\$29.99ea.	\$35.44ea.

Part No.	Post Caps	Qty.	White: 01	Almond: 03	Clay: 04
910010400-**	4" Flat Cap	210	\$4.59ea.	\$5.05ea.	\$5.97ea.
910011400-**	4" New York Cap	60	\$7.34ea.	\$8.07ea.	\$9.54ea.
910012400-**	4" New England Cap	32	\$14.71ea.	\$16.18ea.	\$19.12ea.
910020400-**	4" Ball Cap	30	\$14.71ea.	\$16.18ea.	\$19.12ea.
910022400-**	4" New England Ball Cap	32	\$20.85ea.	n/a	\$27.11ea.
910023400-**	4" Queen Cap	10	\$25.10ea.	\$27.61ea.	n/a
910024400-**	4" King Cap	30	\$25.10ea.	n/a	n/a

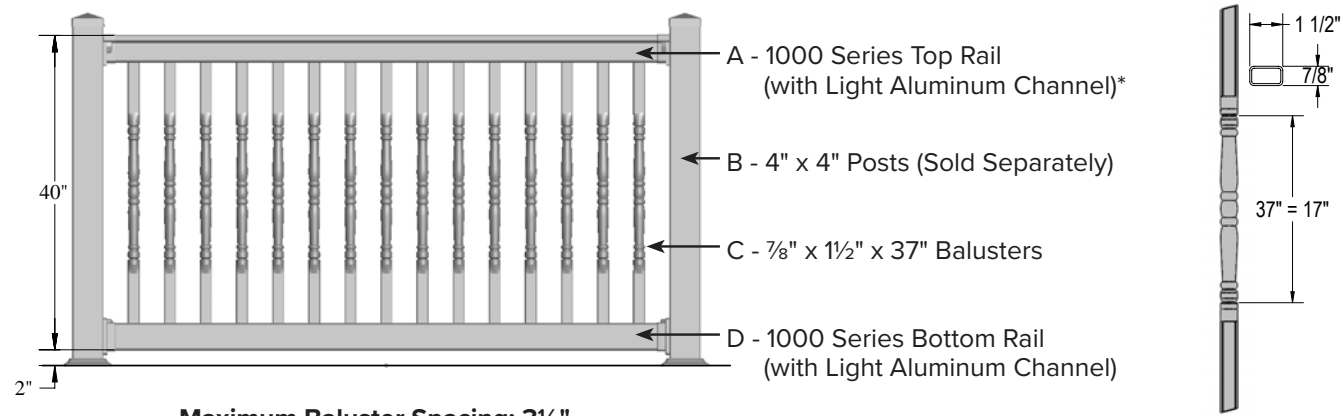
Part No.	Post Trim	Qty.	White: 01	Almond: 03	Clay: 04
950000400-**	4" Plain Post Trim	200	\$6.23ea.	\$6.85ea.	\$8.10ea.
950020400-**	4" Classic Post Trim	32	\$7.15ea.	\$7.87ea.	\$9.30ea.
950030400-**	4" Modular Trim Set (4-Pcs.)	60	\$19.30ea.	\$21.23ea.	n/a

Part No.	Post Mounts	Qty.	List
940843621-**	4" x 36" (4-Lag) 8436G-NT	100	\$81.78ea.
940844221-**	4" x 42" (4-Lag) 8442G-NT	100	\$87.41ea.
940843627-**	4" x 36" Plumb Perfect Pro 8436G-PP	110	\$96.33ea.
940843628-**	4" x 36" Plumb Perfect Advantage 8436G-AD	110	\$83.89ea.

Both Plumb Perfect Post Mounts are not compatible with 54" Molded Newel Posts.

Plumb Perfect Advantage Post Mounts are not compatible with any 4" Molded Newel Posts.

# 1000 SERIES - 42" TRADITIONAL RAILING

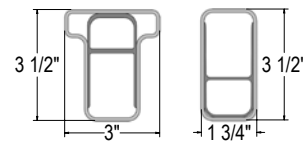


**Maximum Baluster Spacing: 3 1/4".**

\*Heavy aluminum channel included for sections over 6'.

Boxed section includes: top & bottom rails with aluminum inserts, balusters, mounting brackets with screws, and installation guide.

Posts, caps and trim sold separately.



Part No.	42" High Level Traditional Railing	Qty.	White: 01	Almond: 03	Clay: 04
110411424-**	4' Level Boxed Section	24	\$224.04ea.	\$246.44ea.	\$291.25ea.
110411426-**	6' Level Boxed Section	24	\$336.05ea.	\$369.66ea.	\$436.87ea.
110411428-**	8' Level Boxed Section	24	\$448.07ea.	\$492.87ea.	\$582.48ea.
110401420-**	Special Length Level Railing		\$66.09ft.	\$72.70ft.	\$85.91ft.

Part No.	42" High Stair Traditional Railing	Qty.	White: 01	Almond: 03	Clay: 04
110412424-**	4' Stair Boxed Section (32°-36°)	24	\$224.04ea.	\$246.44ea.	\$291.25ea.
110412426-**	6' Stair Boxed Section (32°-36°)	24	\$336.05ea.	\$369.66ea.	\$436.87ea.
110412428-**	8' Stair Boxed Section (32°-36°)	24	\$448.07ea.	\$492.87ea.	\$582.48ea.
110402420-**	Special Length Stair Railing		\$66.09ft.	\$72.70ft.	\$85.91ft.

← Specify Length (Does not include Brackets)

Part No.	Mounting Brackets (1000 Series)	Qty.	White: 01	Almond: 03	Clay: 04
930110400-**	Level Rail, (4/Pk)	42	\$32.85pk.	\$36.14pk.	\$42.71pk.
930210400-**	Stair Rail, 32°-36° (4/Pk)	42	\$32.85pk.	\$36.14pk.	\$42.71pk.
930200004-**	Universal Stair Rail, 0° - 45° (4/Pk)	42	\$32.85pk.	\$36.14pk.	\$42.71pk.

Part No.	42" High Traditional Gates (Hardware not included)	Qty.	White: 01	Almond: 03	Clay: 04
110430420-**	36" Wide Gate (Unassembled)		\$378.43ea.	\$416.28ea.	\$491.96ea.
110430420-**	42" Wide Gate (Unassembled)		\$397.34ea.	\$437.08ea.	\$516.54ea.
110430420-**	48" Wide Gate (Unassembled)		\$417.23ea.	\$458.95ea.	\$542.40ea.

Part No.	Gate Hardware	Qty.	White: 01	Black: 07
933000000-**	Residential Hinge	12	n/a	\$100.54set
933010000-**	Residential Latch	24	n/a	\$47.66ea.
930302120-**	Regular Multi-Adjust Hinge (TCAMA2)	20	\$148.11set	\$148.11set
930312010-**	Lockable Latch S2 (LLAA)	20	\$74.23ea.	\$74.23ea.

# ACCESSORIES

### Newel Posts

(more options: see Columns • Posts • Sleeves)

### Post Trim

Plain, Classic, Modular

### Post Mounts

(more options: see Columns • Posts • Sleeves)

### Post Caps

Flat, New York, New England, Ball, N.E. Ball, Queen, King

Part No.	Newel Posts	Qty.	White: 01	Almond: 03	Clay: 04
211504485-**	4" x 48" Plain (.115 Wall)	50	\$22.79ea.	n/a	n/a
211504545-**	4" x 54" Plain (.115 Wall)	50	\$25.63ea.	n/a	n/a
211504480-**	4" x 48" Plain (.150 Wall)	50	\$27.26ea.	\$29.99ea.	\$35.44ea.
211504540-**	4" x 54" Plain (.150 Wall)	50	\$30.68ea.	\$33.74ea.	\$39.88ea.

Part No.	Post Caps	Qty.	White: 01	Almond: 03	Clay: 04
910010400-**	4" Flat Cap	210	\$4.59ea.	\$5.05ea.	\$5.97ea.
910011400-**	4" New York Cap	60	\$7.34ea.	\$8.07ea.	\$9.54ea.
910012400-**	4" New England Cap	32	\$14.71ea.	\$16.18ea.	\$19.12ea.
910020400-**	4" Ball Cap	30	\$14.71ea.	\$16.18ea.	\$19.12ea.
910022400-**	4" New England Ball Cap	32	\$20.85ea.	n/a	\$27.11ea.
910023400-**	4" Queen Cap	10	\$25.10ea.	\$27.61ea.	n/a
910024400-**	4" King Cap	30	\$25.10ea.	n/a	n/a

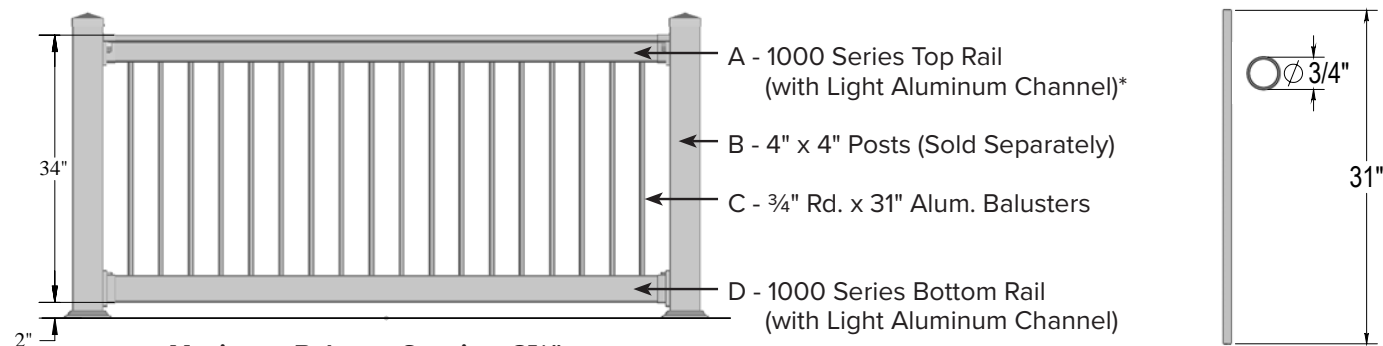
Part No.	Post Trim	Qty.	White: 01	Almond: 03	Clay: 04
950000400-**	4" Plain Post Trim	200	\$6.23ea.	\$6.85ea.	\$8.10ea.
950020400-**	4" Classic Post Trim	32	\$7.15ea.	\$7.87ea.	\$9.30ea.
950030400-**	4" Modular Trim Set (4-Pcs.)	60	\$19.30ea.	\$21.23ea.	n/a

Part No.	Post Mounts	Qty.	List
940843621-**	4" x 36" (4-Lag) 8436G-NT	100	\$81.78ea.
940844221-**	4" x 42" (4-Lag) 8442G-NT	100	\$87.41ea.
940843627-**	4" x 36" Plumb Perfect Pro 8436G-PP	110	\$96.33ea.
940843628-**	4" x 36" Plumb Perfect Advantage 8436G-AD	110	\$83.89ea.
940044207-**	Plumb Perfect Adapter Block for 42" High Railing	50	\$19.02ea.

Both Plumb Perfect Post Mounts are not compatible with 54" Molded Newel Posts.

Plumb Perfect Advantage Post Mounts are not compatible with any 4" Molded Newel Posts.

# 1000 SERIES - 36" YORK RAILING



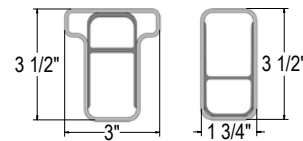
**Maximum Baluster Spacing: 3 7/8".**

\*Heavy aluminum channel included for sections over 6'.

Specify baluster color (White, Black, Bronze, or Kona).

Boxed section includes: top & bottom rails with aluminum inserts, balusters, mounting brackets with screws, and installation guide.

Posts, caps and trim sold separately.



Part No.	36" High Level York Railing	Qty.	White: 01	Almond: 03	Clay: 04
112511364-**-	4' Level Boxed Section	24	\$192.09ea.	\$211.30ea.	\$249.71ea.
112511366-**-	6' Level Boxed Section	24	\$288.13ea.	\$316.94ea.	\$374.56ea.
112511368-**-	8' Level Boxed Section	24	\$384.18ea.	\$422.60ea.	\$499.44ea.
112511361-**-	10' Level Boxed Section	24	\$480.22ea.	\$528.24ea.	\$624.29ea.
112501360-**-	Special Length Level Railing		\$56.68ft.	\$62.35ft.	\$73.69ft.

Part No.	36" High Stair York Railing	Qty.	White: 01	Almond: 03	Clay: 04
112512364-**-	4' Stair Boxed Section (32°-36°)	24	\$192.09ea.	\$211.30ea.	\$249.71ea.
112512366-**-	6' Stair Boxed Section (32°-36°)	24	\$288.13ea.	\$316.94ea.	\$374.56ea.
112512368-**-	8' Stair Boxed Section (32°-36°)	24	\$384.18ea.	\$422.60ea.	\$499.44ea.
112512361-**-	10' Stair Boxed Section (32°-36°)	24	\$480.22ea.	\$528.24ea.	\$624.29ea.
112502360-**-	Special Length Stair Railing		\$56.68ft.	\$62.35ft.	\$73.69ft.

↔ Specify Length (Does not include Brackets)

Part No.	Mounting Brackets (1000 Series)	Qty.	White: 01	Almond: 03	Clay: 04
930110400-**-	Level Rail, (4/Pk)	42	\$32.85pk.	\$36.14pk.	\$42.71pk.
930210400-**-	Stair Rail, 32°-36° (4/Pk)	42	\$32.85pk.	\$36.14pk.	\$42.71pk.
930200004-**-	Universal Stair Rail, 0° - 45° (4/Pk)	42	\$32.85pk.	\$36.14pk.	\$42.71pk.

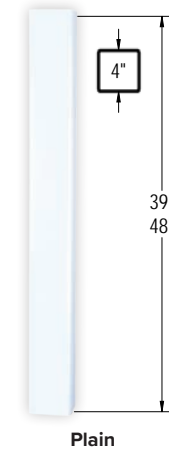
Part No.	36" High York Gates (Hardware not included)	Qty.	White: 01	Almond: 03	Clay: 04
112530360-**-	36" Wide Gate (Unassembled)		\$357.06ea.	\$392.76ea.	\$464.17ea.
112530360-**-	42" Wide Gate (Unassembled)		\$374.88ea.	\$412.36ea.	\$487.34ea.
112530360-**-	48" Wide Gate (Unassembled)		\$393.63ea.	\$433.00ea.	\$511.72ea.

Part No.	Gate Hardware	Qty.	White: 01	Black: 07
933000000-**-	Residential Hinge	12	n/a	\$100.54set
933010000-**-	Residential Latch	24	n/a	\$47.66ea.
930302120-**-	Regular Multi-Adjust Hinge (TCAMA2)	20	\$148.11set	\$148.11set
930312010-**-	Lockable Latch S2 (LLAA)	20	\$74.23ea.	\$74.23ea.

# ACCESSORIES

## Newel Posts

(more options: see Columns • Posts • Sleeves)

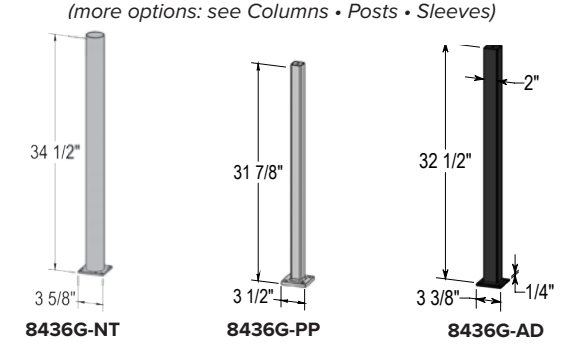


## Post Trim

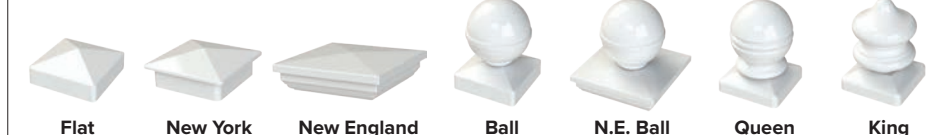


## Post Mounts

(more options: see Columns • Posts • Sleeves)



## Post Caps



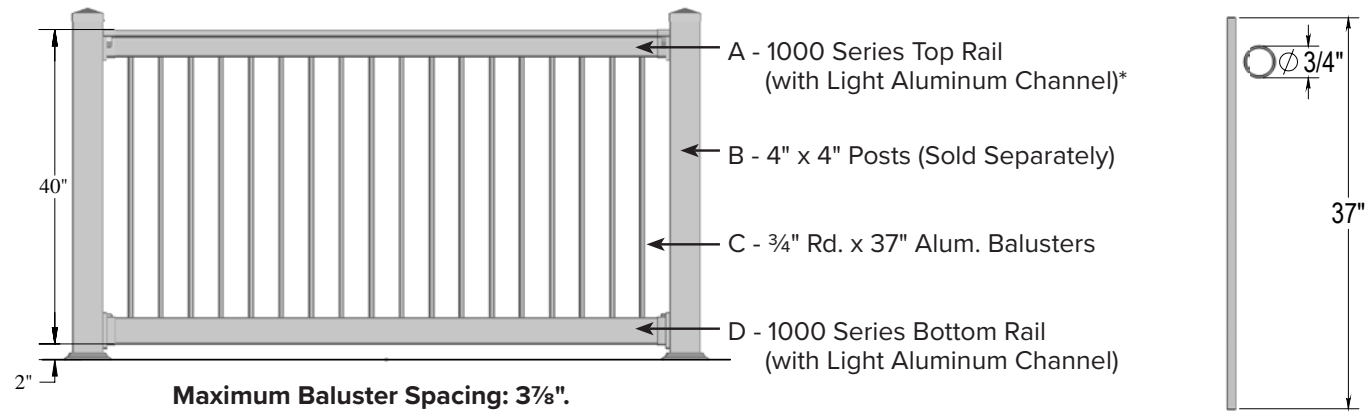
Part No.	Newel Posts	Qty.	White: 01	Almond: 03	Clay: 04
211504395-**-	4" x 39" Plain (.115 Wall)	50	\$18.51ea.	n/a	n/a
211504485-**-	4" x 48" Plain (.115 Wall)	50	\$22.79ea.	n/a	n/a
211504390-**-	4" x 39" Plain (.150 Wall)	50	\$22.16ea.	\$24.38ea.	\$28.81ea.
211504480-**-	4" x 48" Plain (.150 Wall)	50	\$27.26ea.	\$29.99ea.	\$35.44ea.

Part No.	Post Caps	Qty.	White: 01	Almond: 03	Clay: 04
910010400-**-	4" Flat Cap	210	\$4.59ea.	\$5.05ea.	\$5.97ea.
910011400-**-	4" New York Cap	60	\$7.34ea.	\$8.07ea.	\$9.54ea.
910012400-**-	4" New England Cap	32	\$14.71ea.	\$16.18ea.	\$19.12ea.
910020400-**-	4" Ball Cap	30	\$14.71ea.	\$16.18ea.	\$19.12ea.
910022400-**-	4" New England Ball Cap	32	\$20.85ea.	n/a	\$27.11ea.
910023400-**-	4" Queen Cap	10	\$25.10ea.	\$27.61ea.	n/a
910024400-**-	4" King Cap	30	\$25.10ea.	n/a	n/a

Part No.	Post Trim	Qty.	White: 01	Almond: 03	Clay: 04
950000400-**-	4" Plain Post Trim	200	\$6.23ea.	\$6.85ea.	\$8.10ea.
950020400-**-	4" Classic Post Trim	32	\$7.15ea.	\$7.87ea.	\$9.30ea.
950030400-**-	4" Modular Trim Set (4-Pcs.)	60	\$19.30ea.	\$21.23ea.	n/a

Part No.	Post Mounts	Qty.	List
940843621-**-	4" x 36" (4-Lag) 8436G-NT	100	\$81.78ea.
940843627-**-	4" x 36" Plumb Perfect Pro 8436G-PP	110	\$96.33ea.
940843628-**-	4" x 36" Plumb Perfect Advantage 8436G-AD	110	\$83.89ea.

# 1000 SERIES - 42" YORK RAILING



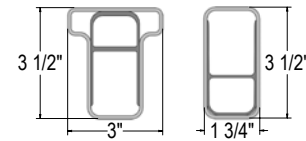
**Maximum Baluster Spacing: 3 7/8".**

\*Heavy aluminum channel included for sections over 6'.

Specify baluster color (White or Black).

Boxed section includes: top & bottom rails with aluminum inserts, balusters, mounting brackets with screws, and installation guide.

Posts, caps and trim sold separately.



Part No.	42" High Level York Railing	Qty.	White: 01	Almond: 03	Clay: 04
112511424-**	4' Level Boxed Section	24	\$203.65ea.	\$224.02ea.	\$264.75ea.
112511426-**	6' Level Boxed Section	24	\$305.50ea.	\$336.05ea.	\$397.14ea.
112511428-**	8' Level Boxed Section	24	\$407.31ea.	\$448.04ea.	\$529.51ea.
112501420-**	Special Length Level Railing		\$60.08ft.	\$66.09ft.	\$78.11ft.

Part No.	42" High Stair York Railing	Qty.	White: 01	Almond: 03	Clay: 04
112512424-**	4' Stair Boxed Section (32°-36°)	24	\$203.65ea.	\$224.02ea.	\$264.75ea.
112512426-**	6' Stair Boxed Section (32°-36°)	24	\$305.50ea.	\$336.05ea.	\$397.14ea.
112512428-**	8' Stair Boxed Section (32°-36°)	24	\$407.31ea.	\$448.04ea.	\$529.51ea.
112502420-**	Special Length Stair Railing		\$60.08ft.	\$66.09ft.	\$78.11ft.

↔ Specify Length (Does not include Brackets)

Part No.	Mounting Brackets (1000 Series)	Qty.	White: 01	Almond: 03	Clay: 04
930110400-**	Level Rail, (4/Pk)	42	\$32.85pk.	\$36.14pk.	\$42.71pk.
930210400-**	Stair Rail, 32°-36° (4/Pk)	42	\$32.85pk.	\$36.14pk.	\$42.71pk.
930200004-**	Universal Stair Rail, 0° - 45° (4/Pk)	42	\$32.85pk.	\$36.14pk.	\$42.71pk.

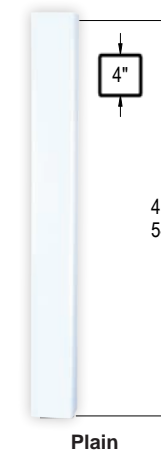
Part No.	42" High York Gates (Hardware not included)	Qty.	White: 01	Almond: 03	Clay: 04
112530420-**	36" Wide Gate (Unassembled)		\$378.43ea.	\$416.28ea.	\$491.96ea.
112530420-**	42" Wide Gate (Unassembled)		\$397.34ea.	\$437.08ea.	\$516.54ea.
112530420-**	48" Wide Gate (Unassembled)		\$417.23ea.	\$458.95ea.	\$542.40ea.

Part No.	Gate Hardware	Qty.	White: 01	Black: 07
933000000-**	Residential Hinge	12	n/a	\$100.54set
933010000-**	Residential Latch	24	n/a	\$47.66ea.
930302120-**	Regular Multi-Adjust Hinge (TCAMA2)	20	\$148.11set	\$148.11set
930312010-**	Lockable Latch S2 (LLAA)	20	\$74.23ea.	\$74.23ea.

# ACCESSORIES

## Newel Posts

(more options: see Columns • Posts • Sleeves)

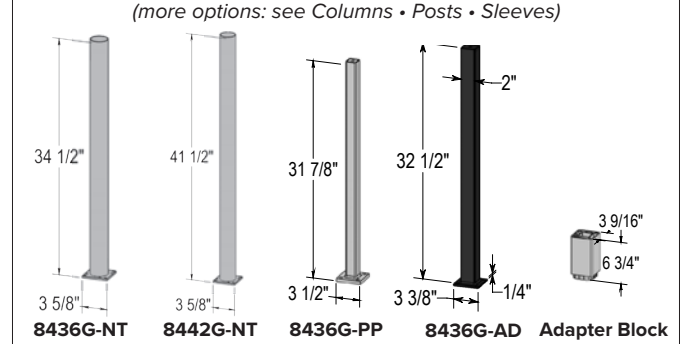


## Post Trim



## Post Mounts

(more options: see Columns • Posts • Sleeves)



## Post Caps



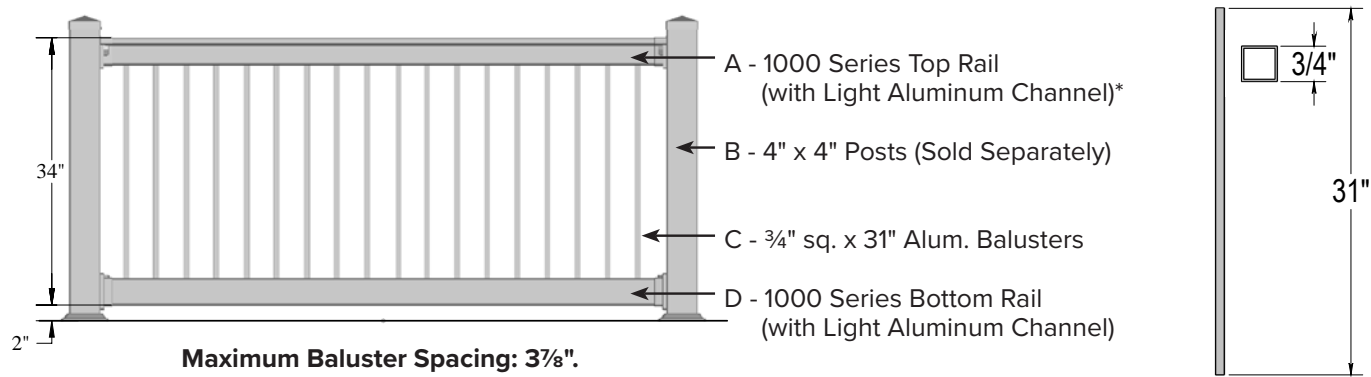
Part No.	Newel Posts	Qty.	White: 01	Almond: 03	Clay: 04
211504485-**	4" x 48" Plain (.115 Wall)	50	\$22.79ea.	n/a	n/a
211504545-**	4" x 54" Plain (.115 Wall)	50	\$25.63ea.	n/a	n/a
211504480-**	4" x 48" Plain (.150 Wall)	50	\$27.26ea.	\$29.99ea.	\$35.44ea.
211504540-**	4" x 54" Plain (.150 Wall)	50	\$30.68ea.	\$33.74ea.	\$39.88ea.

Part No.	Post Caps	Qty.	White: 01	Almond: 03	Clay: 04
910010400-**	4" Flat Cap	210	\$4.59ea.	\$5.05ea.	\$5.97ea.
910011400-**	4" New York Cap	60	\$7.34ea.	\$8.07ea.	\$9.54ea.
910012400-**	4" New England Cap	32	\$14.71ea.	\$16.18ea.	\$19.12ea.
910020400-**	4" Ball Cap	30	\$14.71ea.	\$16.18ea.	\$19.12ea.
910022400-**	4" New England Ball Cap	32	\$20.85ea.	n/a	\$27.11ea.
910023400-**	4" Queen Cap	10	\$25.10ea.	\$27.61ea.	n/a
910024400-**	4" King Cap	30	\$25.10ea.	n/a	n/a

Part No.	Post Trim	Qty.	White: 01	Almond: 03	Clay: 04
950000400-**	4" Plain Post Trim	200	\$6.23ea.	\$6.85ea.	\$8.10ea.
950020400-**	4" Classic Post Trim	32	\$7.15ea.	\$7.87ea.	\$9.30ea.
950030400-**	4" Modular Trim Set (4-Pcs.)	60	\$19.30ea.	\$21.23ea.	n/a

Part No.	Post Mounts	Qty.	List
940843621-**	4" x 36" (4-Lag) 8436G-NT	100	\$81.78ea.
940844221-**	4" x 42" (4-Lag) 8442G-NT	100	\$87.41ea.
940843627-**	4" x 36" Plumb Perfect Pro 8436G-PP	110	\$96.33ea.
940843628-**	4" x 36" Plumb Perfect Advantage 8436G-AD	110	\$83.89ea.
940044207-**	Plumb Perfect Adapter Block for 42" High Railing	50	\$19.02ea.

# 1000 SERIES - 36" WITMER RAILING



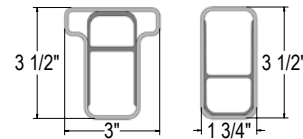
**Maximum Baluster Spacing: 3 7/8".**

\*Heavy aluminum channel included for sections over 6'.

Specify baluster color (White, Black, Bronze, or Kona).

Boxed section includes: top & bottom rails with aluminum inserts, balusters, mounting brackets with screws, and installation guide.

Posts, caps and trim sold separately.



Part No.	36" High Level Witmer Railing	Qty.	White: 01	Almond: 03	Clay: 04
112611364-**-	4' Level Boxed Section	24	\$211.29ea.	\$232.42ea.	\$274.68ea.
112611366-**-	6' Level Boxed Section	24	\$316.93ea.	\$348.62ea.	\$412.00ea.
112611368-**-	8' Level Boxed Section	24	\$422.58ea.	\$464.83ea.	\$549.35ea.
112611361-**-	10' Level Boxed Section	24	\$528.22ea.	\$581.04ea.	\$686.68ea.
112601360-**-	Special Length Level Railing		\$62.34ft.	\$68.58ft.	\$81.05ft.

Part No.	36" High Stair Witmer Railing	Qty.	White: 01	Almond: 03	Clay: 04
112612364-**-	4' Stair Boxed Section (32°-36°)	24	\$211.29ea.	\$232.42ea.	\$274.68ea.
112612366-**-	6' Stair Boxed Section (32°-36°)	24	\$316.93ea.	\$348.62ea.	\$412.00ea.
112612368-**-	8' Stair Boxed Section (32°-36°)	24	\$422.58ea.	\$464.83ea.	\$549.35ea.
112612361-**-	10' Stair Boxed Section (32°-36°)	24	\$528.22ea.	\$581.04ea.	\$686.68ea.
112602360-**-	Special Length Stair Railing		\$62.34ft.	\$68.58ft.	\$81.05ft.

↔ Specify Length (Does not include Brackets)

Part No.	Mounting Brackets (1000 Series)	Qty.	White: 01	Almond: 03	Clay: 04
930110400-**-	Level Rail, (4/Pk)	42	\$32.85pk.	\$36.14ea.	\$42.71pk.
930210400-**-	Stair Rail, 32°-36° (4/Pk)	42	\$32.85pk.	\$36.14ea.	\$42.71pk.
930200004-**-	Universal Stair Rail, 0° - 45° (4/Pk)	42	\$32.85pk.	\$36.14ea.	\$42.71pk.

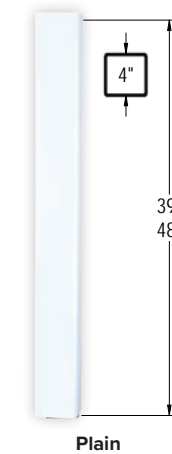
Part No.	36" High Witmer Gates (Hardware not included)	Qty.	White: 01	Almond: 03	Clay: 04
112630360-**-	36" Wide Gate (Unassembled)		\$357.06ea.	\$392.76ea.	\$464.17ea.
112630360-**-	42" Wide Gate (Unassembled)		\$374.88ea.	\$412.36ea.	\$487.34ea.
112630360-**-	48" Wide Gate (Unassembled)		\$393.63ea.	\$433.00ea.	\$511.72ea.

Part No.	Gate Hardware	Qty.	White: 01	Black: 07
933000000-**-	Residential Hinge	12	n/a	\$100.54set
933010000-**-	Residential Latch	24	n/a	\$47.66ea.
930302120-**-	Regular Multi-Adjust Hinge (TCAMA2)	20	\$148.11set	\$148.11set
930312010-**-	Lockable Latch S2 (LLAA)	20	\$74.23ea.	\$74.23ea.

# ACCESSORIES

## Newel Posts

(more options: see Columns • Posts • Sleeves)

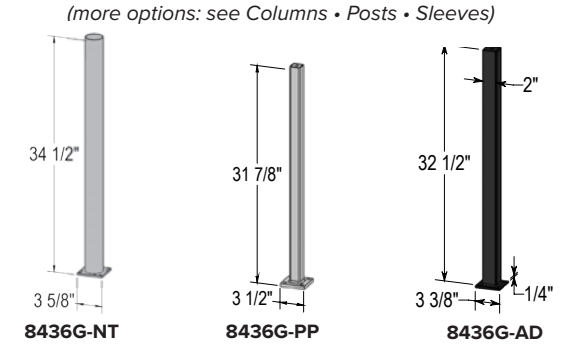


## Post Trim



## Post Mounts

(more options: see Columns • Posts • Sleeves)



## Post Caps



Part No.	Newel Posts	Qty.	White: 01	Almond: 03	Clay: 04
211504395-**-	4" x 39" Plain (.115 Wall)	50	\$18.51ea.	n/a	n/a
211504485-**-	4" x 48" Plain (.115 Wall)	50	\$22.79ea.	n/a	n/a
211504390-**-	4" x 39" Plain (.150 Wall)	50	\$22.16ea.	\$24.38ea.	\$28.81ea.
211504480-**-	4" x 48" Plain (.150 Wall)	50	\$27.26ea.	\$29.99ea.	\$35.44ea.

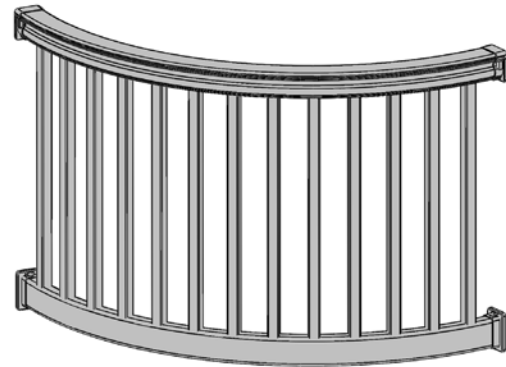
Part No.	Post Caps	Qty.	White: 01	Almond: 03	Clay: 04
910010400-**-	4" Flat Cap	210	\$4.59ea.	\$5.05ea.	\$5.97ea.
910011400-**-	4" New York Cap	60	\$7.34ea.	\$8.07ea.	\$9.54ea.
910012400-**-	4" New England Cap	32	\$14.71ea.	\$16.18ea.	\$19.12ea.
910020400-**-	4" Ball Cap	30	\$14.71ea.	\$16.18ea.	\$19.12ea.
910022400-**-	4" New England Ball Cap	32	\$20.85ea.	n/a	\$27.11ea.
910023400-**-	4" Queen Cap	10	\$25.10ea.	\$27.61ea.	n/a
910024400-**-	4" King Cap	30	\$25.10ea.	n/a	n/a

Part No.	Post Trim	Qty.	White: 01	Almond: 03	Clay: 04
950000400-**-	4" Plain Post Trim	200	\$6.23ea.	\$6.85ea.	\$8.10ea.
950020400-**-	4" Classic Post Trim	32	\$7.15ea.	\$7.87ea.	\$9.30ea.
950030400-**-	4" Modular Trim Set (4-Pcs.)	60	\$19.30ea.	\$21.23ea.	n/a

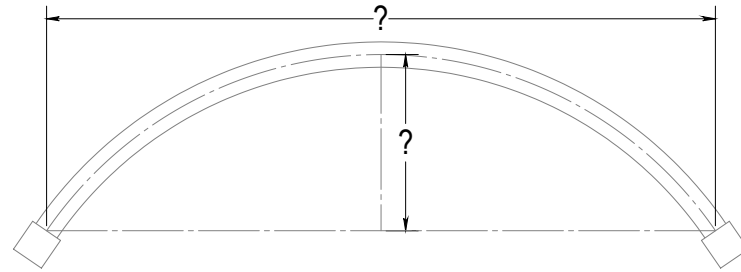
Part No.	Post Mounts	Qty.	List
940843621-**-	4" x 36" (4-Lag) 8436G-NT	100	\$81.78ea.
940843627-**-	4" x 36" Plumb Perfect Pro 8436G-PP	110	\$96.33ea.
940843628-**-	4" x 36" Plumb Perfect Advantage 8436G-AD	110	\$83.89ea.



# BEND SECTIONS



3000 Series Bend Section



Measurements needed for Bend Sections.  
(Max rail length = 96")

Part No.	1000 Series Bend Sections	Qty.	White: 01	Almond: 03	Clay: 04
101535300-**	Bend Section 30" High Model w/Alum.		\$46.17ft.	\$50.80ft.	\$60.02ft.
101535360-**	Bend Section 36" High Model w/Alum.		\$49.12ft.	\$54.03ft.	\$63.86ft.
101535420-**	Bend Section 42" High Model w/Alum.		\$52.09ft.	\$57.29ft.	\$67.69ft.
100035300-**	Bend Section 30" High {Style} w/Alum.		\$59.20ft.	\$65.10ft.	\$76.95ft.
100035360-**	Bend Section 36" High {Style} w/Alum.		\$62.98ft.	\$69.27ft.	\$81.87ft.
100035420-**	Bend Section 42" High {Style} w/Alum.		\$66.75ft.	\$73.42ft.	\$86.78ft.
101536300-**	Bend Section 30" High Model No Alum.		\$31.88ft.	\$35.07ft.	\$41.46ft.
101536360-**	Bend Section 36" High Model No Alum.		\$34.83ft.	\$38.32ft.	\$45.29ft.
101536420-**	Bend Section 42" High Model No Alum.		\$37.80ft.	n/a	n/a
100036360-**	Bend Section 36" High {Style} No Alum.		\$48.69ft.	\$53.55ft.	\$63.29ft.

‡ Measurements are needed for each bend section. (Refer to drawing.) Specify Series.

‡ Bending fee must be added to each section! (Please call for lead time)

† Only available for 36" high railing, but are not available for aluminum or glass balusters.

{Style} = Specify style of turned or aluminum baluster.

Part No.	1000 / 3000 Series Bending Fees	Qty.	List
100035009-**	Bending Fee w/Aluminum		\$1011.24ea.
100036009-**	Bending Fee No Aluminum		\$711.61ea.

No quantity or multiplier discounts apply.



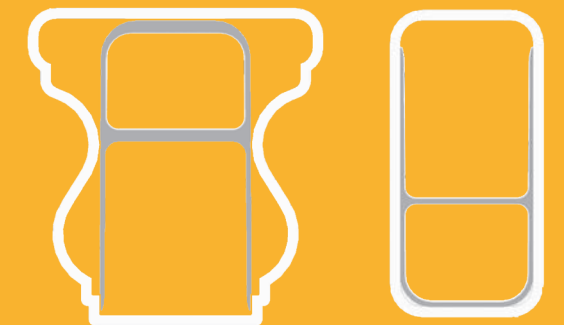
# 3000 SERIES

The flaired profile of Superior's 3000 Series makes it both a fun and secure addition to your outdoor living space. The 3000 Series is ideal for medium to large sized spaces, thanks to its generous size.

## COLORS



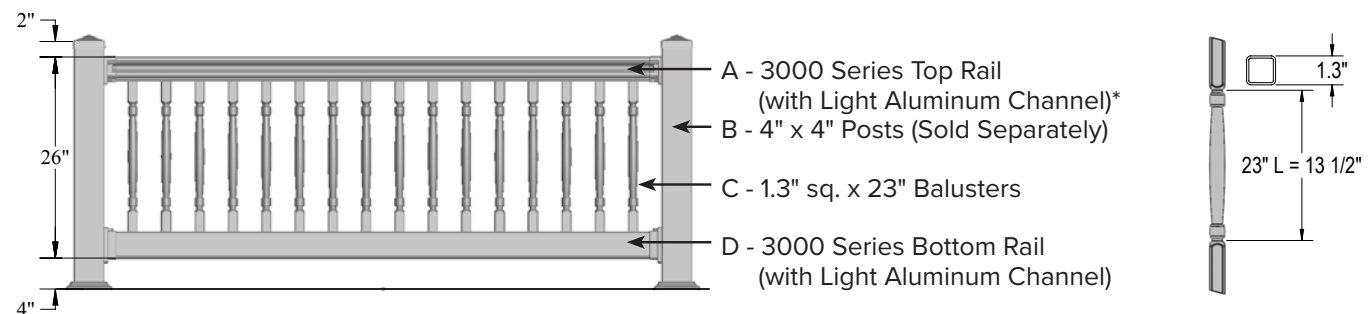
## PROFILE



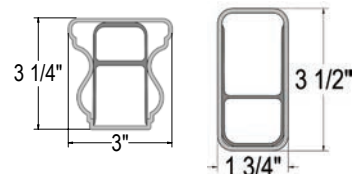
**Important Notifications:**  
*Qty.* indicates Box or Skid quantities. The \*\* in Part Number represents the color codes. 3000 series railing sections do not include posts, caps or trim.

Terms: Net 30 days to approved accounts. Otherwise: Cash, check or money order. Prices F.O.B. New Holland, PA / Prices subject to change without notice.

# 3000 SERIES - 30" MADISON RAILING



**Maximum baluster spacing: 3 1/4".**  
 Use only for applications 30" or less from ground level!  
 \*Heavy aluminum channel included for sections over 6'.



Part No.	30" High Level Madison Railing	Qty.	White: 01	Almond: 03	Clay: 04	Black: 07
130301300-**	Special Length Level Railing		\$59.20ft.	\$65.12ft.	\$76.96ft.	n/a

Part No.	30" High Stair Madison Railing	Qty.	White: 01	Almond: 03	Clay: 04	Black: 07
130302300-**	Special Length Stair Railing		\$59.20ft.	\$65.12ft.	\$76.96ft.	n/a

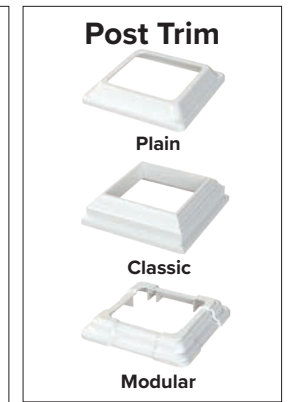
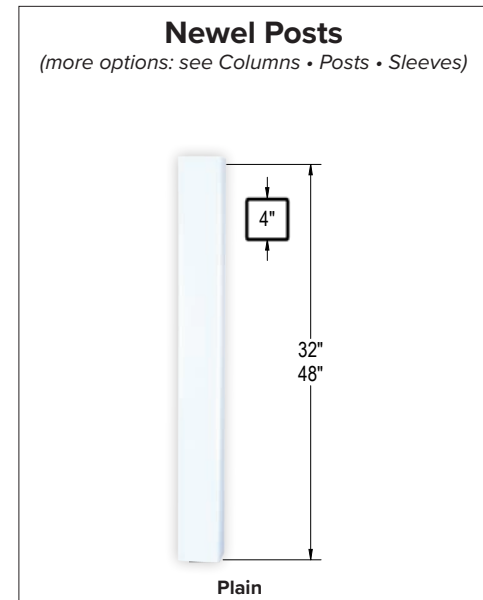
↔ **Specify Length (Does not include Brackets)**

Part No.	Mounting Brackets (3000 Series)	Qty.	White: 01	Almond: 03	Clay: 04	Black: 07
930130400-**	Level Rail, (4/Pk)	42	\$32.85pk.	\$36.14pk.	\$42.71pk.	\$47.63pk.
930230400-**	Stair Rail, 32° - 36° (4/Pk)	42	\$32.85pk.	\$36.14pk.	\$42.71pk.	\$47.63pk.
930200004-**	Universal Stair Rail, 28° - 45° (4/Pk)	42	\$32.85pk.	\$36.14pk.	\$42.71pk.	\$47.63pk.

Part No.	30" High Madison Gates (Hardware not included)	Qty.	White: 01	Almond: 03	Clay: 04	Black: 07
130330300-**	36" Wide Gate (Unassembled)		\$372.89ea.	410.179ea.	484.757ea.	\$540.69ea.
130330300-**	42" Wide Gate (Unassembled)		\$391.52ea.	\$430.67ea.	\$508.98ea.	\$567.70ea.
130330300-**	48" Wide Gate (Unassembled)		\$411.09ea.	\$452.20ea.	\$534.42ea.	\$596.08ea.

Part No.	Gate Hardware	Qty.	White: 01	Black: 07
933000000-**	Residential Hinge	12	n/a	\$100.54set
933010000-**	Residential Latch	24	n/a	\$47.66ea.
930302120-**	Regular Multi-Adjust Hinge (TCAMA2)	20	\$148.11set	\$148.11set
930312010-**	Lockable Latch S2 (LLAA)	20	\$74.23ea.	\$74.23ea.

# ACCESSORIES

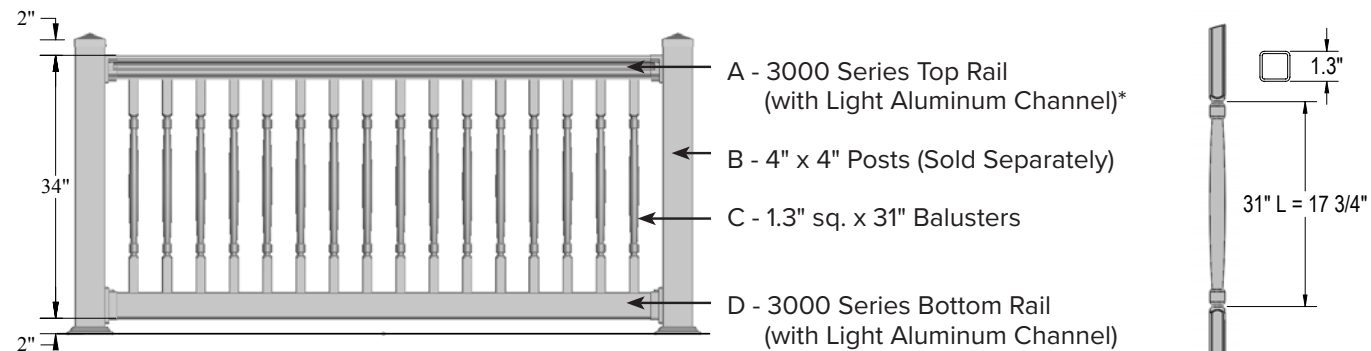


Part No.	Newel Posts	Qty.	White: 01	Almond: 03	Clay: 04	Black: 07
211504320-**	4" x 32" Plain (.150 Wall)	50	\$18.18ea.	\$20.00ea.	\$23.64ea.	n/a
211504485-**	4" x 48" Plain (.115 Wall)	50	\$22.79ea.	n/a	n/a	n/a
211504480-**	4" x 48" Plain (.150 Wall)	50	\$27.26ea.	\$29.99ea.	\$35.44ea.	\$39.53ea.

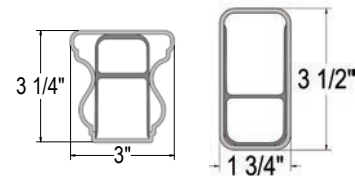
Part No.	Post Caps	Qty.	White: 01	Almond: 03	Clay: 04	Black: 07
910010400-**	4" Flat Cap	210	\$4.59ea.	\$5.05ea.	\$5.97ea.	\$6.66ea.
910011400-**	4" New York Cap	60	\$7.34ea.	\$8.07ea.	\$9.54ea.	n/a
910012400-**	4" New England Cap	32	\$14.71ea.	\$16.18ea.	\$19.12ea.	\$21.33ea.
910020400-**	4" Ball Cap	30	\$14.71ea.	\$16.18ea.	\$19.12ea.	n/a
910022400-**	4" New England Ball Cap	32	\$20.85ea.	n/a	\$27.11ea.	n/a
910023400-**	4" Queen Cap	10	\$25.10ea.	\$27.61ea.	n/a	n/a
910024400-**	4" King Cap	30	\$25.10ea.	n/a	n/a	n/a

Part No.	Post Trim	Qty.	White: 01	Almond: 03	Clay: 04	Black: 07
950000400-**	4" Plain Post Trim	200	\$6.23ea.	\$6.85ea.	\$8.10ea.	\$9.03ea.
950020400-**	4" Classic Post Trim	32	\$7.15ea.	\$7.87ea.	\$9.30ea.	\$10.37ea.
950030400-**	4" Modular Trim Set (4-Pcs.)	60	\$19.30ea.	\$21.23ea.	n/a	n/a

## 3000 SERIES - 36" MADISON RAILING



**Maximum Baluster Spacing: 3 1/4".**  
 \*Heavy aluminum channel included for sections over 6'.  
 Boxed section includes: top & bottom rails with aluminum inserts, balusters, mounting brackets with screws, and installation guide.  
 Posts, caps and trim sold separately.



Part No.	36" High Level Madison Railing	Qty.	White: 01	Almond: 03	Clay: 04	Black: 07
130311364-**	4' Level Boxed Section	24	\$213.43ea.	\$234.77ea.	\$277.46ea.	\$309.47ea.
130311366-**	6' Level Boxed Section	24	\$320.14ea.	\$352.15ea.	\$416.18ea.	\$464.20ea.
130311368-**	8' Level Boxed Section	24	\$426.87ea.	\$469.56ea.	\$554.93ea.	\$618.96ea.
130311361-**	10' Level Boxed Section	24	\$533.58ea.	\$586.94ea.	\$693.65ea.	\$773.69ea.
130301360-**	Special Length Level Railing		\$62.98ft.	\$69.28ft.	\$81.87ft.	n/a

Part No.	36" High Stair Madison Railing	Qty.	White: 01	Almond: 03	Clay: 04	Black: 07
130312364-**	4' Stair Boxed Section (32°-36°)	24	\$213.43ea.	\$234.77ea.	\$277.46ea.	\$309.47ea.
130312366-**	6' Stair Boxed Section (32°-36°)	24	\$320.14ea.	\$352.15ea.	\$416.18ea.	\$464.20ea.
130312368-**	8' Stair Boxed Section (32°-36°)	24	\$426.87ea.	\$469.56ea.	\$554.93ea.	\$618.96ea.
130312361-**	10' Stair Boxed Section (32°-36°)	24	\$533.58ea.	\$586.94ea.	\$693.65ea.	\$773.69ea.
130302360-**	Special Length Stair Railing		\$62.98ft.	\$69.28ft.	\$81.87ft.	\$91.32ft.

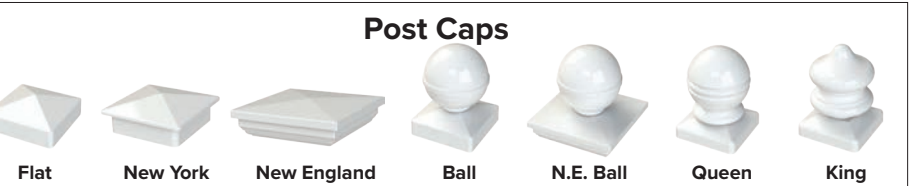
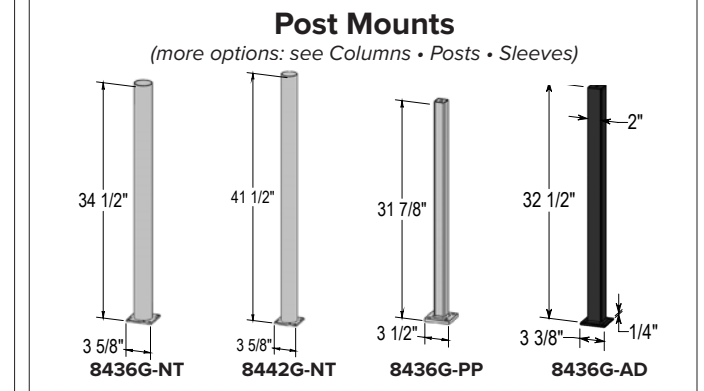
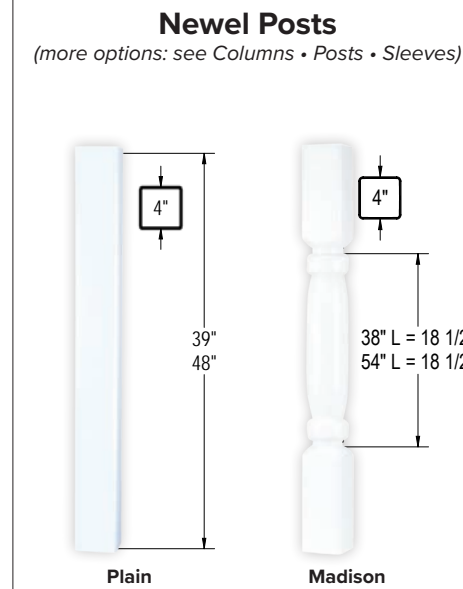
↔ **Specify Length (Does not include Brackets)**

Part No.	Mounting Brackets (3000 Series)	Qty.	White: 01	Almond: 03	Clay: 04	Black: 07
930130400-**	Level Rail, (4/Pk)	42	\$32.85pk.	\$36.14pk.	\$42.71pk.	\$47.63pk.
930230400-**	Stair Rail, 32°-36° (4/Pk)	42	\$32.85pk.	\$36.14pk.	\$42.71pk.	\$47.63pk.
930200004-**	Universal Stair Rail, 28° - 45° (4/Pk)	42	\$32.85pk.	\$36.14pk.	\$42.71pk.	\$47.63pk.

Part No.	36" High Madison Gates (Hardware not included)	Qty.	White: 01	Almond: 03	Clay: 04	Black: 07
130330360-**	36" Wide Gate (Unassembled)		\$396.73ea.	\$436.40ea.	\$515.75ea.	\$575.26ea.
130330360-**	42" Wide Gate (Unassembled)		\$416.53ea.	\$458.18ea.	\$541.49ea.	\$603.97ea.
130330360-**	48" Wide Gate (Unassembled)		\$437.37ea.	\$481.11ea.	\$568.58ea.	\$634.19ea.

Part No.	Gate Hardware	Qty.	White: 01	Black: 07
933000000-**	Residential Hinge	12	n/a	\$100.54set
933010000-**	Residential Latch	24	n/a	\$47.66ea.
930302120-**	Regular Multi-Adjust Hinge (TCAMA2)	20	\$148.11set	\$148.11set
930312010-**	Lockable Latch S2 (LLAA)	20	\$74.23ea.	\$74.23ea.

## ACCESSORIES



Part No.	Newel Posts	Qty.	White: 01	Almond: 03	Clay: 04	Black: 07
211504395-**	4" x 39" Plain (.115 Wall)	50	\$18.51ea.	n/a	n/a	\$26.84ea.
211504485-**	4" x 48" Plain (.115 Wall)	50	\$22.79ea.	n/a	n/a	n/a
211504390-**	4" x 39" Plain (.150 Wall)	50	\$22.16ea.	\$24.38ea.	\$28.81ea.	\$32.13ea.
211504480-**	4" x 48" Plain (.150 Wall)	50	\$27.26ea.	\$29.99ea.	\$35.44ea.	\$39.53ea.
211504540-**	4" x 54" Plain (.150 Wall)	50	\$30.68ea.	\$33.74ea.	\$39.88ea.	\$44.48ea.
210304380-**	4" x 38" Madison	60	\$57.43ea.	\$63.18ea.	\$74.66ea.	n/a
210304540-**	4" x 54" Madison (Stair)	60	\$83.39ea.	\$91.73ea.	\$108.41ea.	n/a

Part No.	Post Caps	Qty.	White: 01	Almond: 03	Clay: 04	Black: 07
910010400-**	4" Flat Cap	210	\$4.59ea.	\$5.05ea.	\$5.97ea.	\$6.66ea.
910011400-**	4" New York Cap	60	\$7.34ea.	\$8.07ea.	\$9.54ea.	n/a
910012400-**	4" New England Cap	32	\$14.71ea.	\$16.18ea.	\$19.12ea.	\$21.33ea.
910020400-**	4" Ball Cap	30	\$14.71ea.	\$16.18ea.	\$19.12ea.	n/a
910022400-**	4" New England Ball Cap	32	\$20.85ea.	n/a	\$27.11ea.	n/a
910023400-**	4" Queen Cap	10	\$25.10ea.	\$27.61ea.	n/a	n/a
910024400-**	4" King Cap	30	\$25.10ea.	n/a	n/a	n/a

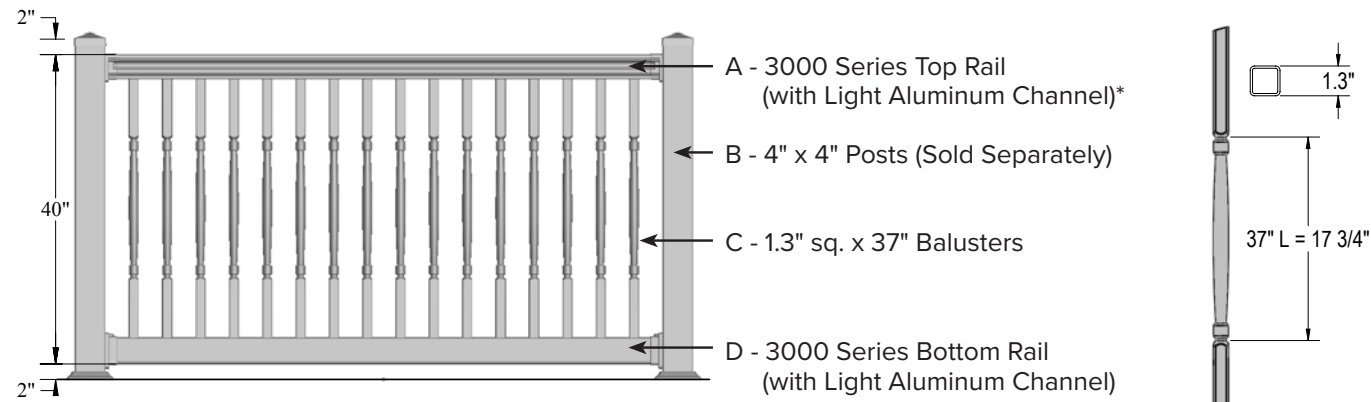
Part No.	Post Trim	Qty.	White: 01	Almond: 03	Clay: 04	Black: 07
950000400-**	4" Plain Post Trim	200	\$6.23ea.	\$6.85ea.	\$8.10ea.	\$9.03ea.
950020400-**	4" Classic Post Trim	32	\$7.15ea.	\$7.87ea.	\$9.30ea.	\$10.37ea.
950030400-**	4" Modular Trim Set (4-Pcs.)	60	\$19.30ea.	\$21.23ea.	n/a	n/a

Part No.	Post Mounts	Qty.	List
940843621-**	4" x 36" (4-Lag) 8436G-NT	100	\$81.78ea.
940844221-**	4" x 42" (4-Lag) 8442G-NT	100	\$87.41ea.
940843627-**	4" x 36" Plumb Perfect Pro 8436G-PP	110	\$96.33ea.
940843628-**	4" x 36" Plumb Perfect Advantage 8436G-AD	110	\$83.89ea.

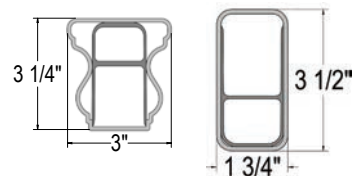
Both Plumb Perfect Post Mounts are not compatible with 54" Molded Newel Posts.

Plumb Perfect Advantage Post Mounts are not compatible with any 4" Molded Newel Posts.

# 3000 SERIES - 42" MADISON RAILING



**Maximum Baluster Spacing: 3 1/4".**  
 \*Heavy aluminum channel included for sections over 6'.  
**Boxed Section Includes: Top & Bottom Rails with Aluminum inserts, Balusters, Mounting Brackets with Screws, and Installation Guide.**  
**Posts, Caps and Trim Sold Separately.**



Part No.	42" High Level Madison Railing	Qty.	White: 01	Almond: 03	Clay: 04	Black: 07
130311424-**	4' Level Boxed Section	24	\$226.28ea.	\$248.91ea.	\$294.16ea.	\$328.11ea.
130311426-**	6' Level Boxed Section	24	\$339.44ea.	\$373.38ea.	\$441.27ea.	\$492.19ea.
130311428-**	8' Level Boxed Section	24	\$452.57ea.	\$497.83ea.	\$588.34ea.	\$656.23ea.
130301420-**	Special Length Level Railing		\$66.76ft.	\$73.44ft.	\$86.79ft.	n/a

Part No.	42" High Stair Madison Railing	Qty.	White: 01	Almond: 03	Clay: 04	Black: 07
130312424-**	4' Stair Boxed Section (32°-36°)	24	\$226.28ea.	\$248.91ea.	\$294.16ea.	\$328.11ea.
130312426-**	6' Stair Boxed Section (32°-36°)	24	\$339.44ea.	\$373.38ea.	\$441.27ea.	\$492.19ea.
130312428-**	8' Stair Boxed Section (32°-36°)	24	\$452.57ea.	\$497.83ea.	\$588.34ea.	\$656.23ea.
130302420-**	Special Length Stair Railing		\$66.76ft.	\$73.44ft.	\$86.79ft.	n/a

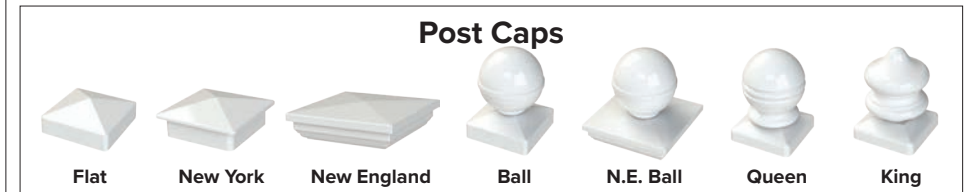
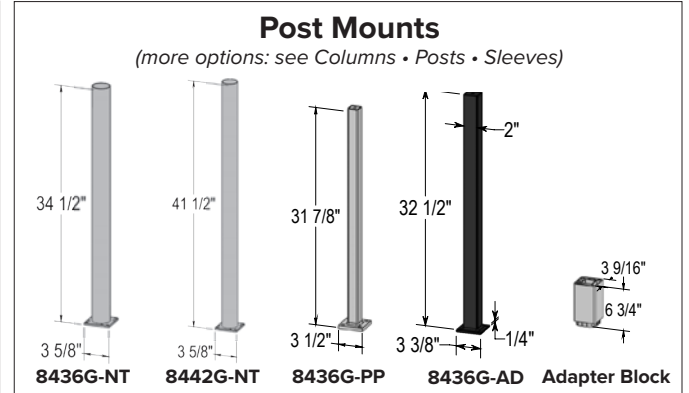
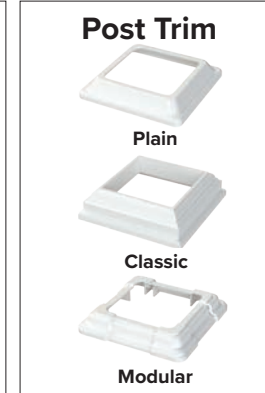
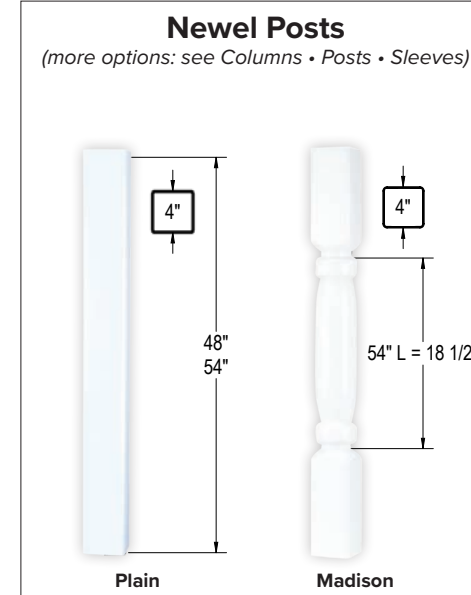
↔ **Specify Length (Does not include Brackets)**

Part No.	Mounting Brackets (3000 Series)	Qty.	White: 01	Almond: 03	Clay: 04	Black: 07
930130400-**	Level Rail, (4/Pk)	42	\$32.85pk.	\$36.14pk.	\$42.71pk.	\$47.63pk.
930230400-**	Stair Rail, 32°-36° (4/Pk)	42	\$32.85pk.	\$36.14pk.	\$42.71pk.	\$47.63pk.
930200004-**	Universal Stair Rail, 28° - 45° (4/Pk)	42	\$32.85pk.	\$36.14pk.	\$42.71pk.	\$47.63pk.

Part No.	42" High Madison Gates (Hardware not included)	Qty.	White: 01	Almond: 03	Clay: 04	Black: 07
130330420-**	36" Wide Gate (Unassembled)		\$420.48ea.	\$462.53ea.	\$546.62ea.	\$609.70ea.
130330420-**	42" Wide Gate (Unassembled)		\$441.49ea.	\$485.64ea.	\$573.94ea.	\$640.16ea.
130330420-**	48" Wide Gate (Unassembled)		\$463.59ea.	\$509.95ea.	\$602.67ea.	\$672.21ea.

Part No.	Gate Hardware	Qty.	White: 01	Black: 07
933000000-**	Residential Hinge	12	n/a	\$100.54set
933010000-**	Residential Latch	24	n/a	\$47.66ea.
930302120-**	Regular Multi-Adjust Hinge (TCAMA2)	20	\$148.11set	\$148.11set
930312010-**	Lockable Latch S2 (LLAA)	20	\$74.23ea.	\$74.23ea.

# ACCESSORIES



Part No.	Newel Posts	Qty.	White: 01	Almond: 03	Clay: 04	Black: 07
211504485-**	4" x 48" Plain (.115 Wall)	50	\$22.79ea.	n/a	n/a	n/a
211504480-**	4" x 48" Plain (.150 Wall)	50	\$27.26ea.	\$29.99ea.	\$35.44ea.	\$39.53ea.
211504540-**	4" x 54" Plain (.150 Wall)	50	\$30.68ea.	\$33.74ea.	\$39.88ea.	\$44.48ea.
210304540-**	4" x 54" Madison (Stair)	60	\$83.39ea.	\$91.73ea.	\$108.41ea.	n/a

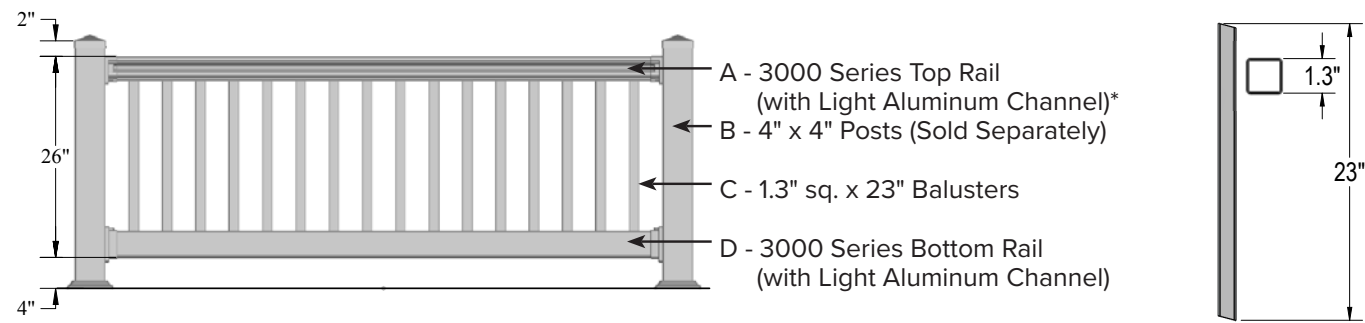
Part No.	Post Caps	Qty.	White: 01	Almond: 03	Clay: 04	Black: 07
910010400-**	4" Flat Cap	210	\$4.59ea.	\$5.05ea.	\$5.97ea.	\$6.66ea.
910011400-**	4" New York Cap	60	\$7.34ea.	\$8.07ea.	\$9.54ea.	n/a
910012400-**	4" New England Cap	32	\$14.71ea.	\$16.18ea.	\$19.12ea.	\$21.33ea.
910020400-**	4" Ball Cap	30	\$14.71ea.	\$16.18ea.	\$19.12ea.	n/a
910022400-**	4" New England Ball Cap	32	\$20.85ea.	n/a	\$27.11ea.	n/a
910023400-**	4" Queen Cap	10	\$25.10ea.	\$27.61ea.	n/a	n/a
910024400-**	4" King Cap	30	\$25.10ea.	n/a	n/a	n/a

Part No.	Post Trim	Qty.	White: 01	Almond: 03	Clay: 04	Black: 07
950000400-**	4" Plain Post Trim	200	\$6.23ea.	\$6.85ea.	\$8.10ea.	\$9.03ea.
950020400-**	4" Classic Post Trim	32	\$7.15ea.	\$7.87ea.	\$9.30ea.	\$10.37ea.
950030400-**	4" Modular Trim Set (4-Pcs.)	60	\$19.30ea.	\$21.23ea.	n/a	n/a

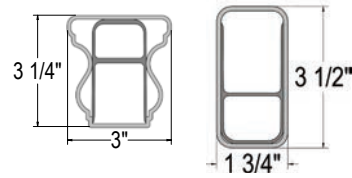
Part No.	Post Mounts	Qty.	List
940843621-**	4" x 36" (4-Lag) 8436G-NT	100	\$81.78ea.
940844221-**	4" x 42" (4-Lag) 8442G-NT	100	\$87.41ea.
940843627-**	4" x 36" Plumb Perfect Pro 8436G-PP	110	\$96.33ea.
940843628-**	4" x 36" Plumb Perfect Advantage 8436G-AD	110	\$83.89ea.
940044207-**	Plumb Perfect Adapter Block for 42" High Railing	50	\$19.02ea.

Both Plumb Perfect Post Mounts are not compatible with 54" Molded Newel Posts.  
 Plumb Perfect Advantage Post Mounts are not compatible with any 4" Molded Newel Posts.

## 3000 SERIES - 30" MODEL RAILING



**Maximum baluster spacing: 3 1/4".**  
 Use only for applications 30" or less from ground level!  
 \*Heavy aluminum channel included for sections over 6'.



Part No.	30" High Level Model Railing	Qty.	White: 01	Almond: 03	Clay: 04	Black: 07
131501300-**	Special Length Level Railing		\$46.17ft.	\$50.79ft.	\$60.02ft.	n/a

Part No.	30" High Stair Model Railing	Qty.	White: 01	Almond: 03	Clay: 04	Black: 07
131502300-**	Special Length Stair Railing		\$46.17ft.	\$50.79ft.	\$60.02ft.	n/a

← **Specify Length (Does not include Brackets)**

Part No.	Mounting Brackets (3000 Series)	Qty.	White: 01	Almond: 03	Clay: 04	Black: 07
930130400-**	Level Rail, (4/Pk)	42	\$32.85pk.	\$36.14pk.	\$42.71pk.	\$47.63pk.
930230400-**	Stair Rail, 32°-36° (4/Pk)	42	\$32.85pk.	\$36.14pk.	\$42.71pk.	\$47.63pk.
930200004-**	Universal Stair Rail, 28° - 45° (4/Pk)	42	\$32.85pk.	\$36.14pk.	\$42.71pk.	\$47.63pk.

Part No.	30" High Model Gates (Hardware not included)	Qty.	White: 01	Almond: 03	Clay: 04	Black: 07
131530300-**	36" Wide Gate (Unassembled)		\$290.83ea.	\$319.91ea.	\$378.08ea.	\$421.70ea.
131530300-**	42" Wide Gate (Unassembled)		\$305.39ea.	\$335.93ea.	\$397.01ea.	\$442.82ea.
131530300-**	48" Wide Gate (Unassembled)		\$320.65ea.	\$352.72ea.	\$416.85ea.	\$464.94ea.

Part No.	Gate Hardware	Qty.	White: 01	Black: 07
933000000-**	Residential Hinge	12	n/a	\$100.54set
933010000-**	Residential Latch	24	n/a	\$47.66ea.
930302120-**	Regular Multi-Adjust Hinge (TCAMA2)	20	\$148.11set	\$148.11set
930312010-**	Lockable Latch S2 (LLAA)	20	\$74.23ea.	\$74.23ea.

## ACCESSORIES

### Newel Posts

(more options: see Columns • Posts • Sleeves)



### Post Trim



### Post Caps

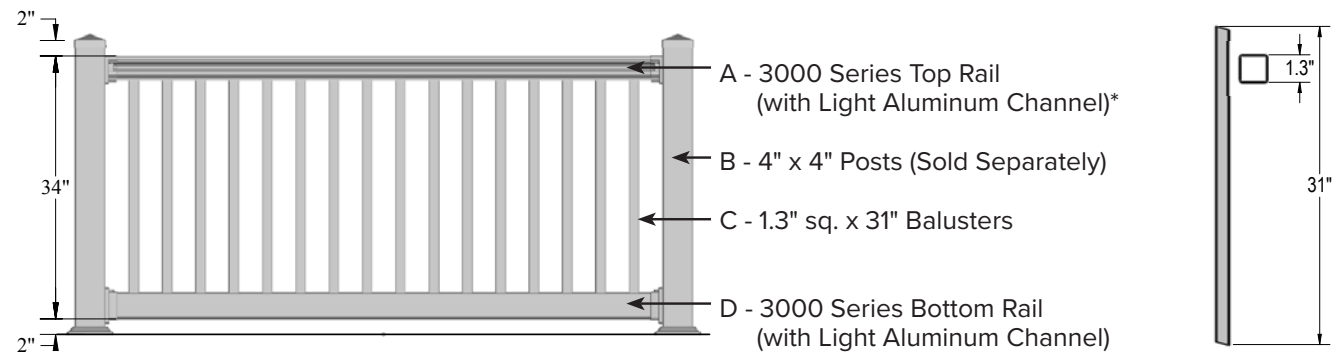


Part No.	Newel Posts	Qty.	White: 01	Almond: 03	Clay: 04	Black: 07
211504320-**	4" x 32" Plain (.150 Wall)	50	\$18.18ea.	\$20.00ea.	\$23.64ea.	n/a
211504485-**	4" x 48" Plain (.115 Wall)	50	\$22.79ea.	n/a	n/a	n/a
211504480-**	4" x 48" Plain (.150 Wall)	50	\$27.26ea.	\$29.99ea.	\$35.44ea.	\$39.53ea.

Part No.	Post Caps	Qty.	White: 01	Almond: 03	Clay: 04	Black: 07
910010400-**	4" Flat Cap	210	\$4.59ea.	\$5.05ea.	\$5.97ea.	\$6.66ea.
910011400-**	4" New York Cap	60	\$7.34ea.	\$8.07ea.	\$9.54ea.	n/a
910012400-**	4" New England Cap	32	\$14.71ea.	\$16.18ea.	\$19.12ea.	\$21.33ea.
910020400-**	4" Ball Cap	30	\$14.71ea.	\$16.18ea.	\$19.12ea.	n/a
910022400-**	4" New England Ball Cap	32	\$20.85ea.	n/a	\$27.11ea.	n/a
910023400-**	4" Queen Cap	10	\$25.10ea.	\$27.61ea.	n/a	n/a
910024400-**	4" King Cap	30	\$25.10ea.	n/a	n/a	n/a

Part No.	Post Trim	Qty.	White: 01	Almond: 03	Clay: 04	Black: 07
950000400-**	4" Plain Post Trim	200	\$6.23ea.	\$6.85ea.	\$8.10ea.	\$9.03ea.
950020400-**	4" Classic Post Trim	32	\$7.15ea.	\$7.87ea.	\$9.30ea.	\$10.37ea.
950030400-**	4" Modular Trim Set (4-Pcs.)	60	\$19.30ea.	\$21.23ea.	n/a	n/a

## 3000 SERIES - 36" MODEL RAILING

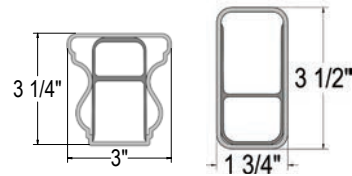


**Maximum Baluster Spacing: 3 1/4".**

\*Heavy aluminum channel included for sections over 6'.

Boxed section includes: top & bottom rails with aluminum inserts, balusters, mounting brackets with screws, and installation guide.

Posts, caps and trim sold separately.



Part No.	36" High Level Model Railing	Qty.	White: 01	Almond: 03	Clay: 04	Black: 07
131511364-**	4' Level Boxed Section	24	\$166.50ea.	\$183.15ea.	\$216.45ea.	\$241.43ea.
131511366-**	6' Level Boxed Section	24	\$249.74ea.	\$274.71ea.	\$324.66ea.	\$362.12ea.
131511368-**	8' Level Boxed Section	24	\$333.01ea.	\$366.31ea.	\$432.91ea.	\$482.86ea.
131511361-**	10' Level Boxed Section	24	\$416.26ea.	\$457.89ea.	\$541.14ea.	\$603.58ea.
131501360-**	Special Length Level Railing		\$49.12ft.	\$54.03ft.	\$63.86ft.	\$71.22ft.

Part No.	36" High Stair Model Railing	Qty.	White: 01	Almond: 03	Clay: 04	Black: 07
131512364-**	4' Stair Boxed Section (32°-36°)	24	\$166.50ea.	\$183.15ea.	\$216.45ea.	\$241.43ea.
131512366-**	6' Stair Boxed Section (32°-36°)	24	\$249.74ea.	\$274.71ea.	\$324.66ea.	\$362.12ea.
131512368-**	8' Stair Boxed Section (32°-36°)	24	\$333.01ea.	\$366.31ea.	\$432.91ea.	\$482.86ea.
131512361-**	10' Stair Boxed Section (32°-36°)	24	\$416.26ea.	\$457.89ea.	\$541.14ea.	\$603.58ea.
131502360-**	Special Length Stair Railing		\$49.12ft.	\$54.03ft.	\$63.86ft.	\$71.22ft.

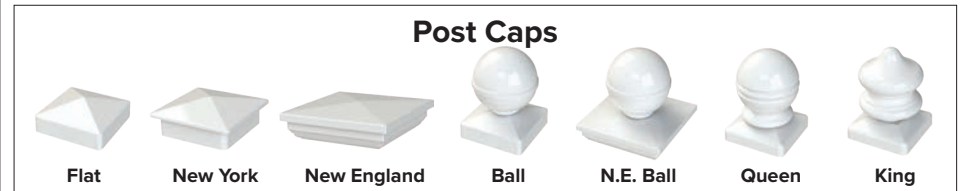
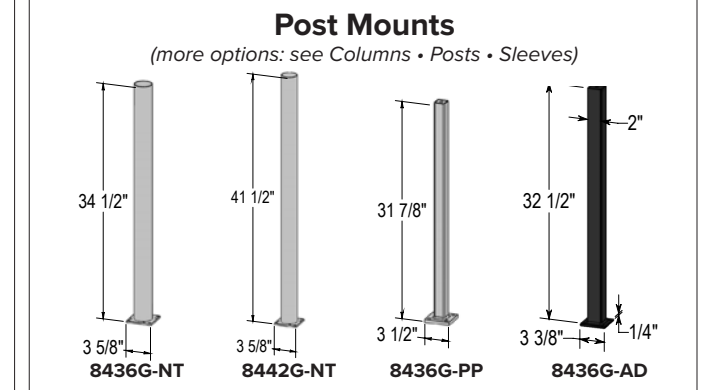
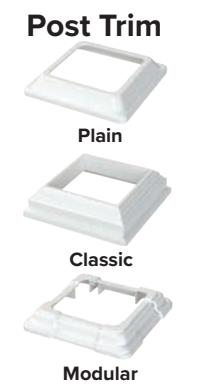
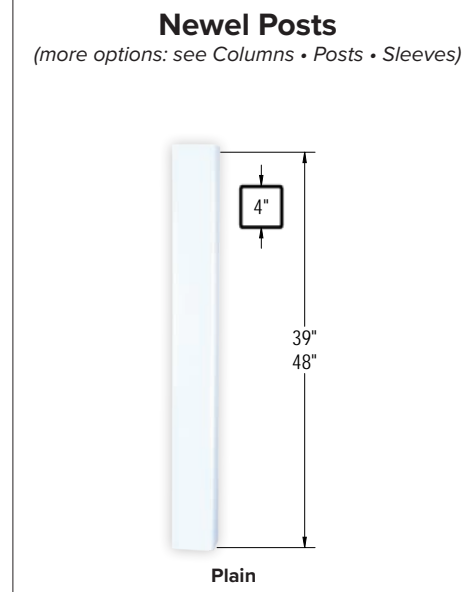
↔ **Specify Length (Does not include Brackets)**

Part No.	Mounting Brackets (3000 Series)	Qty.	White: 01	Almond: 03	Clay: 04	Black: 07
930130400-**	Level Rail, (4/Pk)	42	\$32.85pk.	\$36.14pk.	\$42.71pk.	\$47.63pk.
930230400-**	Stair Rail, 32°-36° (4/Pk)	42	\$32.85pk.	\$36.14pk.	\$42.71pk.	\$47.63pk.
930200004-**	Universal Stair Rail, 28° - 45° (4/Pk)	42	\$32.85pk.	\$36.14pk.	\$42.71pk.	\$47.63pk.

Part No.	36" High Model Gates (Hardware not included)	Qty.	White: 01	Almond: 03	Clay: 04	Black: 07
130430360-**	36" Wide Gate (Unassembled)		\$396.73ea.	\$436.40ea.	\$515.75ea.	\$575.26ea.
130430360-**	42" Wide Gate (Unassembled)		\$416.53ea.	\$458.18ea.	\$541.49ea.	\$603.97ea.
130430360-**	48" Wide Gate (Unassembled)		\$437.37ea.	\$481.11ea.	\$568.58ea.	\$634.19ea.

Part No.	Gate Hardware	Qty.	White: 01	Black: 07
933000000-**	Residential Hinge	12	n/a	\$100.54set
933010000-**	Residential Latch	24	n/a	\$47.66ea.
930302120-**	Regular Multi-Adjust Hinge (TCAMA2)	20	\$148.11set	\$148.11set
930312010-**	Lockable Latch S2 (LLAA)	20	\$74.23ea.	\$74.23ea.

## ACCESSORIES



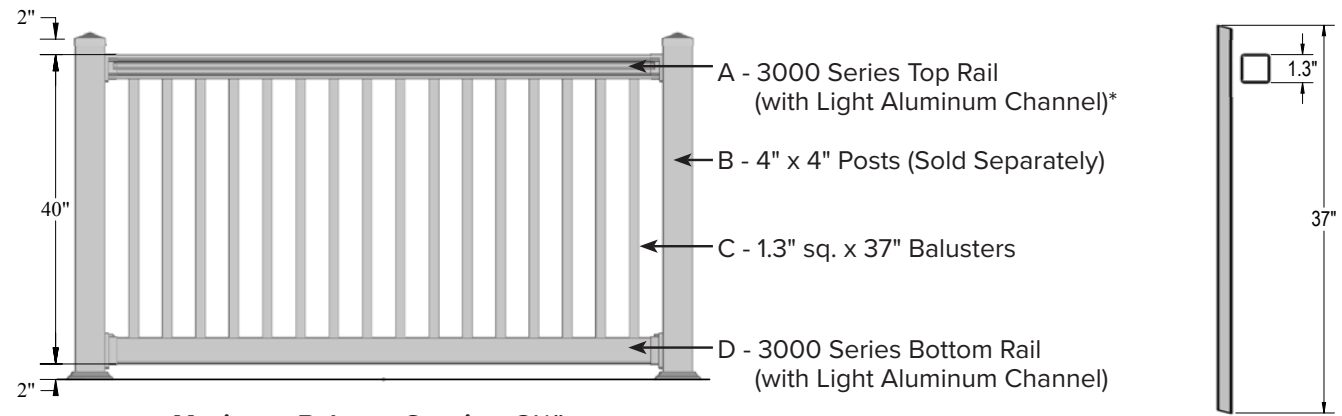
Part No.	Newel Posts	Qty.	White: 01	Almond: 03	Clay: 04	Black: 07
211504395-**	4" x 39" Plain (.115 Wall)	50	\$18.51ea.	n/a	n/a	\$26.84ea.
211504485-**	4" x 48" Plain (.115 Wall)	50	\$22.79ea.	n/a	n/a	n/a
211504390-**	4" x 39" Plain (.150 Wall)	50	\$22.16ea.	\$24.38ea.	\$28.81ea.	\$32.13ea.
211504480-**	4" x 48" Plain (.150 Wall)	50	\$27.26ea.	\$29.99ea.	\$35.44ea.	\$39.53ea.
211504540-**	4" x 54" Plain (.150 Wall)	50	\$30.68ea.	\$33.74ea.	\$39.88ea.	\$44.48ea.

Part No.	Post Caps	Qty.	White: 01	Almond: 03	Clay: 04	Black: 07
910010400-**	4" Flat Cap	210	\$4.59ea.	\$5.05ea.	\$5.97ea.	\$6.66ea.
910011400-**	4" New York Cap	60	\$7.34ea.	\$8.07ea.	\$9.54ea.	n/a
910012400-**	4" New England Cap	32	\$14.71ea.	\$16.18ea.	\$19.12ea.	\$21.33ea.
910020400-**	4" Ball Cap	30	\$14.71ea.	\$16.18ea.	\$19.12ea.	n/a
910022400-**	4" New England Ball Cap	32	\$20.85ea.	n/a	\$27.11ea.	n/a
910023400-**	4" Queen Cap	10	\$25.10ea.	\$27.61ea.	n/a	n/a
910024400-**	4" King Cap	30	\$25.10ea.	n/a	n/a	n/a

Part No.	Post Trim	Qty.	White: 01	Almond: 03	Clay: 04	Black: 07
950000400-**	4" Plain Post Trim	200	\$6.23ea.	\$6.85ea.	\$8.10ea.	\$9.03ea.
950020400-**	4" Classic Post Trim	32	\$7.15ea.	\$7.87ea.	\$9.30ea.	\$10.37ea.
950030400-**	4" Modular Trim Set (4-Pcs.)	60	\$19.30ea.	\$21.23ea.	n/a	n/a

Part No.	Post Mounts	Qty.	List
940843621-**	4" x 36" (4-Lag) 8436G-NT	100	\$81.78ea.
940844221-**	4" x 42" (4-Lag) 8442G-NT	100	\$87.41ea.
940843627-**	4" x 36" Plumb Perfect Pro 8436G-PP	110	\$96.33ea.
940843628-**	4" x 36" Plumb Perfect Advantage 8436G-AD	110	\$83.89ea.

## 3000 SERIES - 42" MODEL RAILING

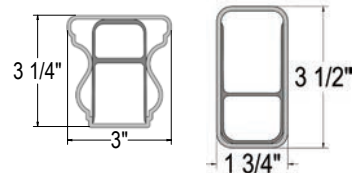


**Maximum Baluster Spacing: 3 1/4".**

\*Heavy aluminum channel included for sections over 6'.

Boxed section includes: top & bottom rails with aluminum inserts, balusters, mounting brackets with screws, and installation guide.

Posts, caps and trim sold separately.



Part No.	42" High Level Model Railing	Qty.	White: 01	Almond: 03	Clay: 04	Black: 07
131511424-**	4' Level Boxed Section	24	\$176.51ea.	\$194.16ea.	\$229.46ea.	\$255.94ea.
131511426-**	6' Level Boxed Section	24	\$264.77ea.	\$291.25ea.	\$344.20ea.	\$383.92ea.
131511428-**	8' Level Boxed Section	24	\$353.03ea.	\$388.33ea.	\$458.94ea.	\$511.89ea.
131501420-**	Special Length Level Railing		\$52.09ft.	\$57.30ft.	\$67.72ft.	n/a

Part No.	42" High Stair Model Railing	Qty.	White: 01	Almond: 03	Clay: 04	Black: 07
131512424-**	4' Stair Boxed Section (32°-36°)	24	\$176.51ea.	\$194.16ea.	\$229.46ea.	\$255.94ea.
131512426-**	6' Stair Boxed Section (32°-36°)	24	\$264.77ea.	\$291.25ea.	\$344.20ea.	\$383.92ea.
131512428-**	8' Stair Boxed Section (32°-36°)	24	\$353.03ea.	\$388.33ea.	\$458.94ea.	\$511.89ea.
131502420-**	Special Length Stair Railing		\$52.09ft.	\$57.30ft.	\$67.72ft.	\$75.53ft.

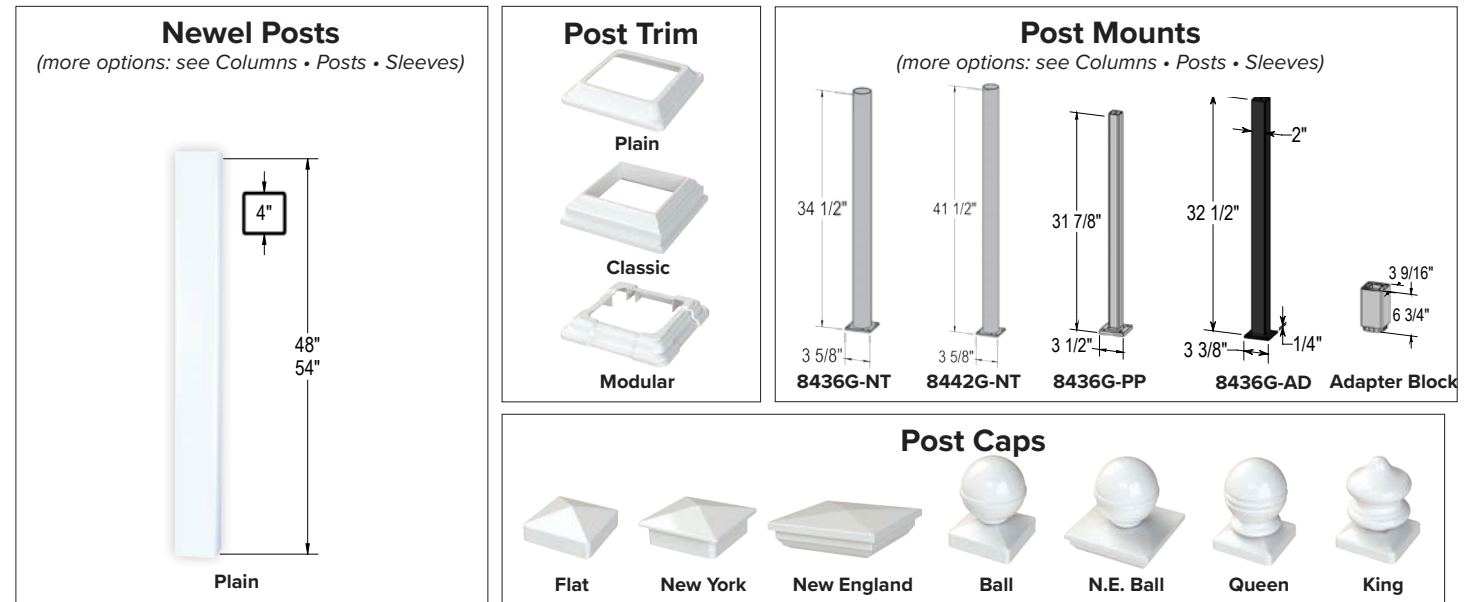
↔ **Specify Length (Does not include Brackets)**

Part No.	Mounting Brackets (3000 Series)	Qty.	White: 01	Almond: 03	Clay: 04	Black: 07
930130400-**	Level Rail, (4/PK)	42	\$32.85pk.	\$36.14pk.	\$42.71pk.	\$47.63pk.
930230400-**	Stair Rail, 32°-36° (4/PK)	42	\$32.85pk.	\$36.14pk.	\$42.71pk.	\$47.63pk.
930200004-**	Universal Stair Rail, 28° - 45° (4/PK)	42	\$32.85pk.	\$36.14pk.	\$42.71pk.	\$47.63pk.

Part No.	42" High Model Gates (Hardware not included)	Qty.	White: 01	Almond: 03	Clay: 04	Black: 07
131530420-**	36" Wide Gate (Unassembled)		\$328.05ea.	\$360.86ea.	\$426.47ea.	\$475.67ea.
131530420-**	42" Wide Gate (Unassembled)		\$344.46ea.	\$378.91ea.	\$447.80ea.	\$499.47ea.
131530420-**	48" Wide Gate (Unassembled)		\$361.68ea.	\$397.85ea.	\$470.18ea.	\$524.44ea.

Part No.	Gate Hardware	Qty.	White: 01	Black: 07
933000000-**	Residential Hinge	12	n/a	\$100.54set
933010000-**	Residential Latch	24	n/a	\$47.66ea.
930302120-**	Regular Multi-Adjust Hinge (TCAMA2)	20	\$148.11set	\$148.11set
930312010-**	Lockable Latch S2 (LLAA)	20	\$74.23ea.	\$74.23ea.

## ACCESSORIES



Part No.	Newel Posts	Qty.	White: 01	Almond: 03	Clay: 04	Black: 07
211504485-**	4" x 48" Plain (.115 Wall)	50	\$22.79ea.	n/a	n/a	n/a
211504545-**	4" x 54" Plain (.115 Wall)	50	\$25.63ea.	n/a	n/a	n/a
211504480-**	4" x 48" Plain (.150 Wall)	50	\$27.26ea.	\$29.99ea.	\$35.44ea.	\$39.53ea.
211504540-**	4" x 54" Plain (.150 Wall)	50	\$30.68ea.	\$33.74ea.	\$39.88ea.	\$44.48ea.

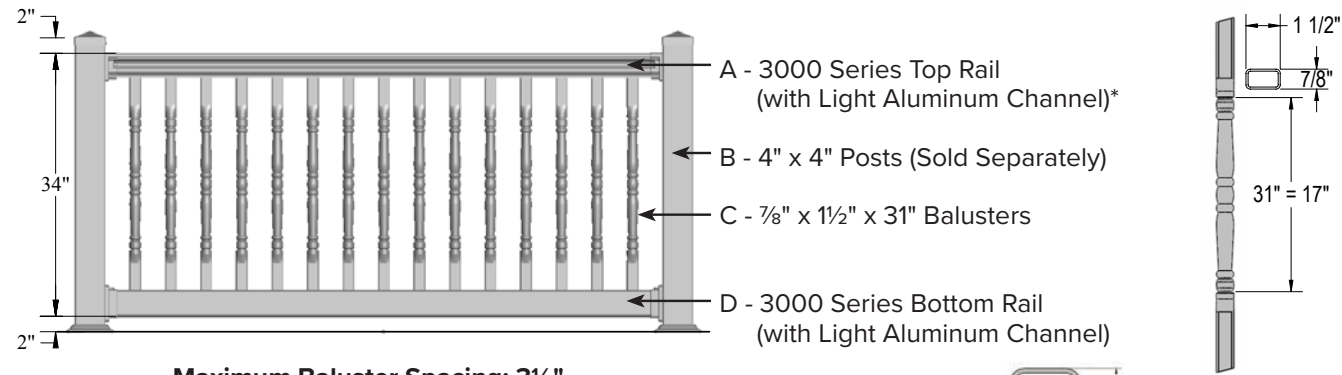
Part No.	Post Caps	Qty.	White: 01	Almond: 03	Clay: 04	Black: 07
910010400-**	4" Flat Cap	210	\$4.59ea.	\$5.05ea.	\$5.97ea.	\$6.66ea.
910011400-**	4" New York Cap	60	\$7.34ea.	\$8.07ea.	\$9.54ea.	n/a
910012400-**	4" New England Cap	32	\$14.71ea.	\$16.18ea.	\$19.12ea.	\$21.33ea.
910020400-**	4" Ball Cap	30	\$14.71ea.	\$16.18ea.	\$19.12ea.	n/a
910022400-**	4" New England Ball Cap	32	\$20.85ea.	n/a	\$27.11ea.	n/a
910023400-**	4" Queen Cap	10	\$25.10ea.	\$27.61ea.	n/a	n/a
910024400-**	4" King Cap	30	\$25.10ea.	n/a	n/a	n/a

Part No.	Post Trim	Qty.	White: 01	Almond: 03	Clay: 04	Black: 07
950000400-**	4" Plain Post Trim	200	\$6.23ea.	\$6.85ea.	\$8.10ea.	\$9.03ea.
950020400-**	4" Classic Post Trim	32	\$7.15ea.	\$7.87ea.	\$9.30ea.	\$10.37ea.
950030400-**	4" Modular Trim Set (4-Pcs.)	60	\$19.30ea.	\$21.23ea.	n/a	n/a

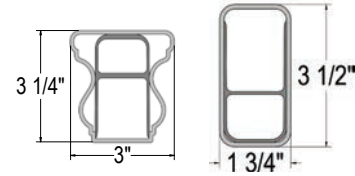
Part No.	Post Mounts	Qty.	List
940843621-**	4" x 36" (4-Lag) 8436G-NT	100	\$81.78ea.
940844221-**	4" x 42" (4-Lag) 8442G-NT	100	\$87.41ea.
940843627-**	4" x 36" Plumb Perfect Pro 8436G-PP	110	\$96.33ea.
940843628-**	4" x 36" Plumb Perfect Advantage 8436G-AD	110	\$83.89ea.
940044207-**	Plumb Perfect Adapter Block for 42" High Railing	50	\$19.02ea.



## 3000 SERIES - 36" TRADITIONAL RAILING



**Maximum Baluster Spacing: 3 1/4".**  
 \*Heavy aluminum channel included for sections over 6'.  
 Boxed section includes: top & bottom rails with aluminum inserts, balusters, mounting brackets with screws, and installation guide.  
 Posts, caps and trim sold separately.



Part No.	36" High Level Traditional Railing	Qty.	White: 01	Almond: 03	Clay: 04	Black: 07
130411364-**	4' Level Boxed Section	24	\$234.77ea.	\$258.25ea.	\$305.20ea.	n/a
130411366-**	6' Level Boxed Section	24	\$352.14ea.	\$387.35ea.	\$457.78ea.	n/a
130411368-**	8' Level Boxed Section	24	\$469.53ea.	\$516.48ea.	\$610.39ea.	n/a
130411361-**	10' Level Boxed Section	24	\$586.91ea.	\$645.60ea.	\$762.98ea.	n/a
130401360-**	Special Length Level Railing		\$69.27ft.	\$76.20ft.	\$90.05ft.	n/a

Part No.	36" High Stair Traditional Railing	Qty.	White: 01	Almond: 03	Clay: 04	Black: 07
130412364-**	4' Stair Boxed Section (32°-36°)	24	\$234.77ea.	\$258.25ea.	\$305.20ea.	n/a
130412366-**	6' Stair Boxed Section (32°-36°)	24	\$352.14ea.	\$387.35ea.	\$457.78ea.	n/a
130412368-**	8' Stair Boxed Section (32°-36°)	24	\$469.53ea.	\$516.48ea.	\$610.39ea.	n/a
130412361-**	10' Stair Boxed Section (32°-36°)	24	\$586.91ea.	\$645.60ea.	\$762.98ea.	n/a
130402360-**	Special Length Stair Railing		\$69.27ft.	\$76.20ft.	\$90.05ft.	n/a

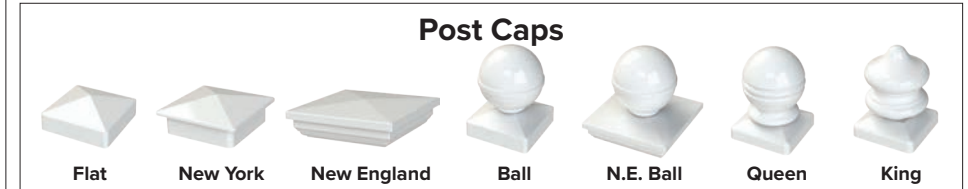
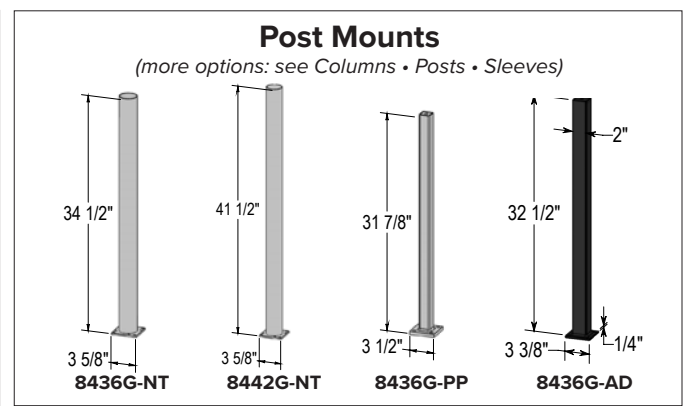
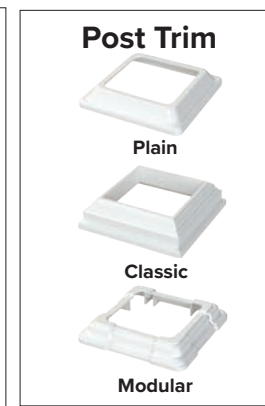
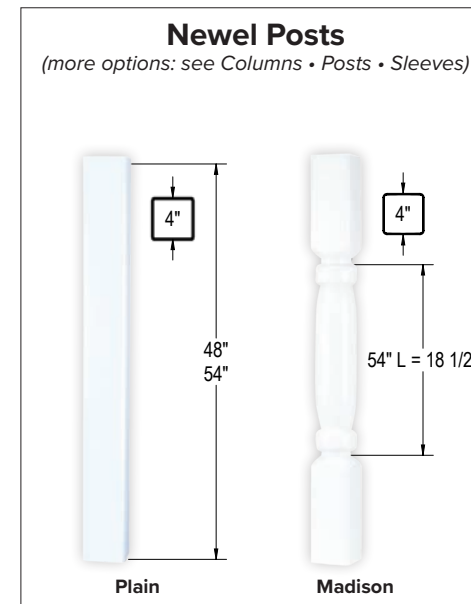
↔ **Specify Length (Does not include Brackets)**

Part No.	Mounting Brackets (3000 Series)	Qty.	White: 01	Almond: 03	Clay: 04	Black: 07
930130400-**	Level Rail, (4/Pk)	42	\$32.85pk.	\$36.14pk.	\$42.71pk.	\$47.63pk.
930230400-**	Stair Rail, 32°-36° (4/Pk)	42	\$32.85pk.	\$36.14pk.	\$42.71pk.	\$47.63pk.
930200004-**	Universal Stair Rail, 28° - 45° (4/Pk)	42	\$32.85pk.	\$36.14pk.	\$42.71pk.	\$47.63pk.

Part No.	36" High Traditional Gates (Hardware not included)	Qty.	White: 01	Almond: 03	Clay: 04	Black: 07
130430360-**	36" Wide Gate (Unassembled)		\$396.73ea.	\$436.40ea.	\$515.75ea.	\$575.26ea.
130430360-**	42" Wide Gate (Unassembled)		\$416.53ea.	\$458.18ea.	\$541.49ea.	\$603.97ea.
130430360-**	48" Wide Gate (Unassembled)		\$437.37ea.	\$481.11ea.	\$568.58ea.	\$634.19ea.

Part No.	Gate Hardware	Qty.	White: 01	Black: 07
933000000-**	Residential Hinge	12	n/a	\$100.54set
933010000-**	Residential Latch	24	n/a	\$47.66ea.
930302120-**	Regular Multi-Adjust Hinge (TCAMA2)	20	\$148.11set	\$148.11set
930312010-**	Lockable Latch S2 (LLAA)	20	\$74.23ea.	\$74.23ea.

## ACCESSORIES



Part No.	Newel Posts	Qty.	White: 01	Almond: 03	Clay: 04	Black: 07
211504395-**	4" x 39" Plain (.115 Wall)	50	\$18.51ea.	n/a	n/a	\$26.84ea.
211504485-**	4" x 48" Plain (.115 Wall)	50	\$22.79ea.	n/a	n/a	n/a
211504390-**	4" x 39" Plain (.150 Wall)	50	\$22.16ea.	\$24.38ea.	\$28.81ea.	\$32.13ea.
211504480-**	4" x 48" Plain (.150 Wall)	50	\$27.26ea.	\$29.99ea.	\$35.44ea.	\$39.53ea.
211504540-**	4" x 54" Plain (.150 Wall)	50	\$30.68ea.	\$33.74ea.	\$39.88ea.	\$44.48ea.
210304380-**	4" x 38" Madison	60	\$57.43ea.	\$63.18ea.	\$74.66ea.	n/a
210304540-**	4" x 54" Madison (Stair)	60	\$83.39ea.	\$91.73ea.	\$108.41ea.	n/a

Part No.	Post Caps	Qty.	White: 01	Almond: 03	Clay: 04	Black: 07
910010400-**	4" Flat Cap	210	\$4.59ea.	\$5.05ea.	\$5.97ea.	\$6.66ea.
910011400-**	4" New York Cap	60	\$7.34ea.	\$8.07ea.	\$9.54ea.	n/a
910012400-**	4" New England Cap	32	\$14.71ea.	\$16.18ea.	\$19.12ea.	\$21.33ea.
910020400-**	4" Ball Cap	30	\$14.71ea.	\$16.18ea.	\$19.12ea.	n/a
910022400-**	4" New England Ball Cap	32	\$20.85ea.	n/a	\$27.11ea.	n/a
910023400-**	4" Queen Cap	10	\$25.10ea.	\$27.61ea.	n/a	n/a
910024400-**	4" King Cap	30	\$25.10ea.	n/a	n/a	n/a

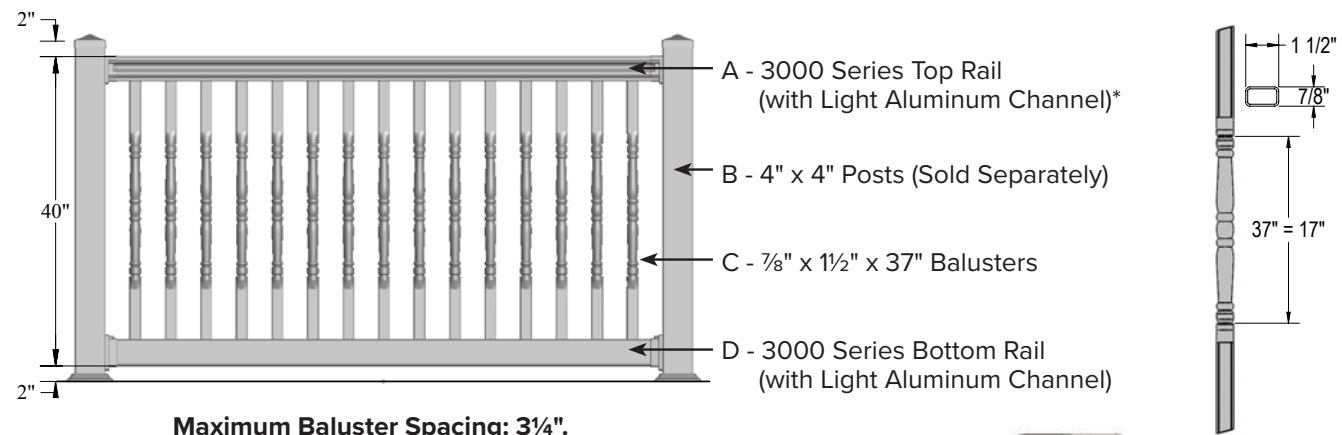
Part No.	Post Trim	Qty.	White: 01	Almond: 03	Clay: 04	Black: 07
950000400-**	4" Plain Post Trim	200	\$6.23ea.	\$6.85ea.	\$8.10ea.	\$9.03ea.
950020400-**	4" Classic Post Trim	32	\$7.15ea.	\$7.87ea.	\$9.30ea.	\$10.37ea.
950030400-**	4" Modular Trim Set (4-Pcs.)	60	\$19.30ea.	\$21.23ea.	n/a	n/a

Part No.	Post Mounts	Qty.	List
940843621-**	4" x 36" (4-Lag) 8436G-NT	100	\$81.78ea.
940844221-**	4" x 42" (4-Lag) 8442G-NT	100	\$87.41ea.
940843627-**	4" x 36" Plumb Perfect Pro 8436G-PP	110	\$96.33ea.
940843628-**	4" x 36" Plumb Perfect Advantage 8436G-AD	110	\$83.89ea.

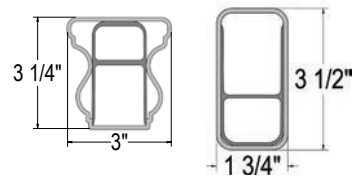
Both Plumb Perfect Post Mounts are not compatible with 54" Molded Newel Posts.

Plumb Perfect Advantage Post Mounts are not compatible with any 4" Molded Newel Posts.

# 3000 SERIES - 42" TRADITIONAL RAILING



**Maximum Baluster Spacing: 3 1/4".**  
 \*Heavy aluminum channel included for sections over 6'.  
 Boxed section includes: top & bottom rails with aluminum inserts, balusters, mounting brackets with screws, and installation guide.  
 Posts, caps and trim sold separately.



Part No.	42" High Level Traditional Railing	Qty.	White: 01	Almond: 03	Clay: 04	Black: 07
130411424-**	4' Level Boxed Section	24	\$248.93ea.	\$273.82ea.	\$323.61ea.	n/a
130411426-**	6' Level Boxed Section	24	\$373.39ea.	\$410.73ea.	\$485.41ea.	n/a
130411428-**	8' Level Boxed Section	24	\$497.85ea.	\$547.64ea.	\$647.21ea.	n/a
130401420-**	Special Length Level Railing		\$73.43ft.	\$80.77ft.	\$95.46ft.	n/a

Part No.	42" High Stair Traditional Railing	Qty.	White: 01	Almond: 03	Clay: 04	Black: 07
130412424-**	4' Stair Boxed Section (32°-36°)	24	\$248.93ea.	\$273.82ea.	\$323.61ea.	n/a
130412426-**	6' Stair Boxed Section (32°-36°)	24	\$373.39ea.	\$410.73ea.	\$485.41ea.	n/a
130412428-**	8' Stair Boxed Section (32°-36°)	24	\$497.85ea.	\$547.64ea.	\$647.21ea.	n/a
130402420-**	Special Length Stair Railing		\$73.43ft.	\$80.77ft.	\$95.46ft.	n/a

↔ **Specify Length (Does not include Brackets)**

Part No.	Mounting Brackets (3000 Series)	Qty.	White: 01	Almond: 03	Clay: 04	Black: 07
930130400-**	Level Rail, (4/Pk)	42	\$32.85pk.	\$36.14pk.	\$42.71pk.	\$47.63pk.
930230400-**	Stair Rail, 32°-36° (4/Pk)	42	\$32.85pk.	\$36.14pk.	\$42.71pk.	\$47.63pk.
930200004-**	Universal Stair Rail, 28° - 45° (4/Pk)	42	\$32.85pk.	\$36.14pk.	\$42.71pk.	\$47.63pk.

Part No.	42" High Traditional Gates (Hardware not included)	Qty.	White: 01	Almond: 03	Clay: 04	Black: 07
130430420-**	36" Wide Gate (Unassembled)		\$420.48ea.	\$462.53ea.	\$546.62ea.	\$609.70ea.
130430420-**	42" Wide Gate (Unassembled)		\$441.49ea.	\$485.64ea.	\$573.94ea.	\$640.16ea.
130430420-**	48" Wide Gate (Unassembled)		\$463.59ea.	\$509.95ea.	\$602.67ea.	\$672.21ea.

Part No.	Gate Hardware	Qty.	White: 01	Black: 07
933000000-**	Residential Hinge	12	n/a	\$100.54set
933010000-**	Residential Latch	24	n/a	\$47.66ea.
930302120-**	Regular Multi-Adjust Hinge (TCAMA2)	20	\$148.11set	\$148.11set
930312010-**	Lockable Latch S2 (LLAA)	20	\$74.23ea.	\$74.23ea.

# ACCESSORIES

### Newel Posts

(more options: see Columns • Posts • Sleeves)

### Post Trim

### Post Mounts

(more options: see Columns • Posts • Sleeves)

### Post Caps

Part No.	Newel Posts	Qty.	White: 01	Almond: 03	Clay: 04	Black: 07
211504485-**	4" x 48" Plain (.115 Wall)	50	\$22.79ea.	n/a	n/a	n/a
211504480-**	4" x 48" Plain (.150 Wall)	50	\$27.26ea.	\$29.99ea.	\$35.44ea.	\$39.53ea.
211504540-**	4" x 54" Plain (.150 Wall)	50	\$30.68ea.	\$33.74ea.	\$39.88ea.	\$44.48ea.
210304540-**	4" x 54" Madison (Stair)	60	\$83.39ea.	\$91.73ea.	\$108.41ea.	n/a

Part No.	Post Caps	Qty.	White: 01	Almond: 03	Clay: 04	Black: 07
910010400-**	4" Flat Cap	210	\$4.59ea.	\$5.05ea.	\$5.97ea.	\$6.66ea.
910011400-**	4" New York Cap	60	\$7.34ea.	\$8.07ea.	\$9.54ea.	n/a
910012400-**	4" New England Cap	32	\$14.71ea.	\$16.18ea.	\$19.12ea.	\$21.33ea.
910020400-**	4" Ball Cap	30	\$14.71ea.	\$16.18ea.	\$19.12ea.	n/a
910022400-**	4" New England Ball Cap	32	\$20.85ea.	n/a	\$27.11ea.	n/a
910023400-**	4" Queen Cap	10	\$25.10ea.	\$27.61ea.	n/a	n/a
910024400-**	4" King Cap	30	\$25.10ea.	n/a	n/a	n/a

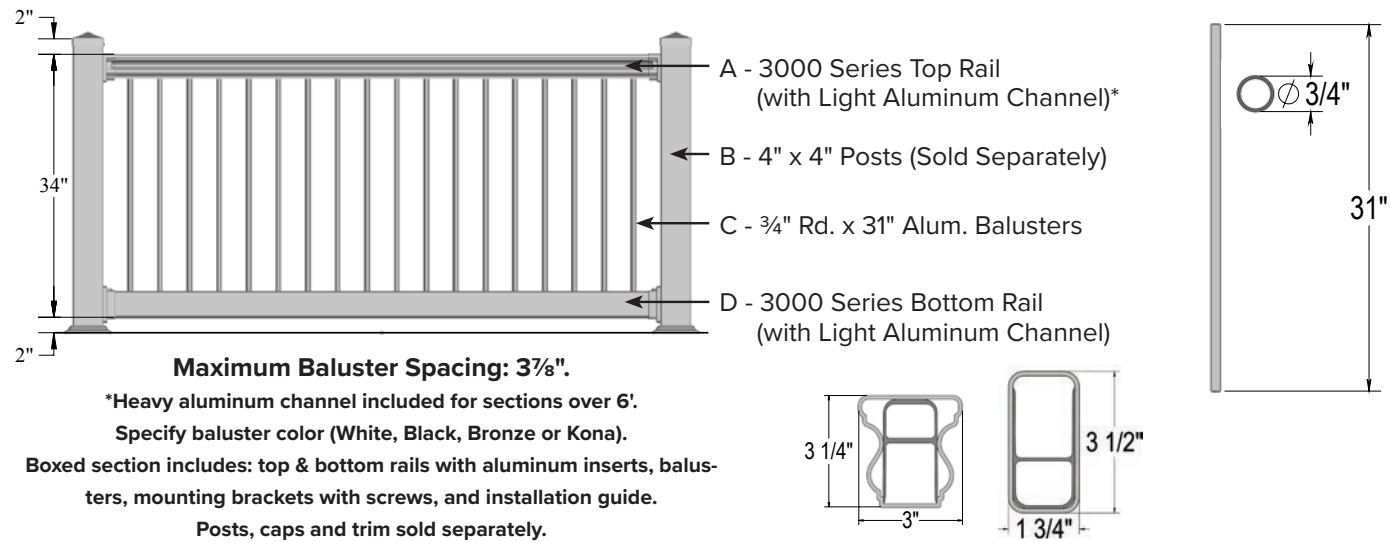
Part No.	Post Trim	Qty.	White: 01	Almond: 03	Clay: 04	Black: 07
950000400-**	4" Plain Post Trim	200	\$6.23ea.	\$6.85ea.	\$8.10ea.	\$9.03ea.
950020400-**	4" Classic Post Trim	32	\$7.15ea.	\$7.87ea.	\$9.30ea.	\$10.37ea.
950030400-**	4" Modular Trim Set (4-Pcs.)	60	\$19.30ea.	\$21.23ea.	n/a	n/a

Part No.	Post Mounts	Qty.	List
940843621-**	4" x 36" (4-Lag) 8436G-NT	100	\$81.78ea.
940844221-**	4" x 42" (4-Lag) 8442G-NT	100	\$87.41ea.
940843627-**	4" x 36" Plumb Perfect Pro 8436G-PP	110	\$96.33ea.
940843628-**	4" x 36" Plumb Perfect Advantage 8436G-AD	110	\$83.89ea.
940044207-**	Plumb Perfect Adapter Block for 42" High Railing	50	\$19.02ea.

Both Plumb Perfect Post Mounts are not compatible with 54" Molded Newel Posts.

Plumb Perfect Advantage Post Mounts are not compatible with any 4" Molded Newel Posts.

# 3000 SERIES - 36" YORK RAILING



Part No.	36" High Level York Railing	Qty.	White: 01	Almond: 03	Clay: 04	Black: 07
132511364-**	4' Level Boxed Section	30	\$213.43ea.	\$234.77ea.	\$277.46ea.	\$309.47ea.
132511366-**	6' Level Boxed Section	30	\$320.14ea.	\$352.15ea.	\$416.18ea.	\$464.20ea.
132511368-**	8' Level Boxed Section	30	\$426.87ea.	\$469.56ea.	\$554.93ea.	\$618.96ea.
132511361-**	10' Level Boxed Section	30	\$533.58ea.	\$586.94ea.	\$693.65ea.	\$773.69ea.
132501360-**	Special Length Level Railing		\$62.98ft.	\$69.28ft.	\$81.87ft.	\$91.32ft.

Part No.	36" High Stair York Railing	Qty.	White: 01	Almond: 03	Clay: 04	Black: 07
132512364-**	4' Stair Boxed Section (32°-36°)	30	\$213.43ea.	\$234.77ea.	\$277.46ea.	\$309.47ea.
132512366-**	6' Stair Boxed Section (32°-36°)	30	\$320.14ea.	\$352.15ea.	\$416.18ea.	\$464.20ea.
132512368-**	8' Stair Boxed Section (32°-36°)	30	\$426.87ea.	\$469.56ea.	\$554.93ea.	\$618.96ea.
132512361-**	10' Stair Boxed Section (32°-36°)	30	\$533.58ea.	\$586.94ea.	\$693.65ea.	\$773.69ea.
132502360-**	Special Length Stair Railing		\$62.98ft.	\$69.28ft.	\$81.87ft.	\$91.32ft.

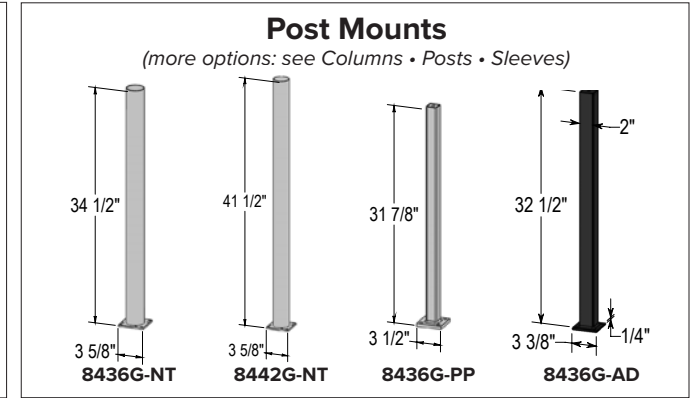
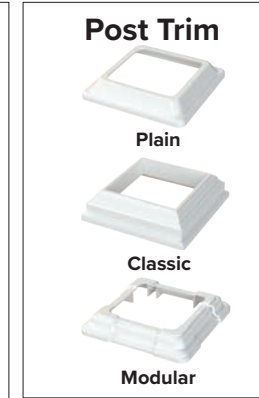
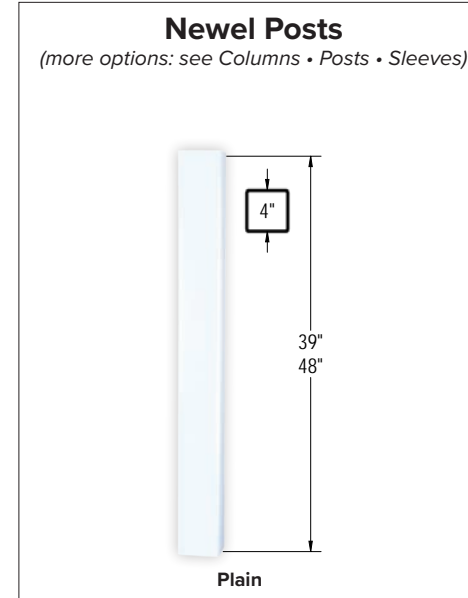
↔ **Specify Length (Does not include Brackets)**

Part No.	Mounting Brackets (3000 Series)	Qty.	White: 01	Almond: 03	Clay: 04	Black: 07
930130400-**	Level Rail, (4/Pk)	42	\$32.85pk.	\$36.14pk.	\$42.71pk.	\$47.63pk.
930230400-**	Stair Rail, 32°-36° (4/Pk)	42	\$32.85pk.	\$36.14pk.	\$42.71pk.	\$47.63pk.
930200004-**	Universal Stair Rail, 28° - 45° (4/Pk)	42	\$32.85pk.	\$36.14pk.	\$42.71pk.	\$47.63pk.

Part No.	36" High York Gates (Hardware not included)	Qty.	White: 01	Almond: 03	Clay: 04	Black: 07
132530360-**	36" Wide Gate (Unassembled)		\$396.73ea.	\$436.40ea.	\$515.75ea.	\$575.26ea.
132530360-**	42" Wide Gate (Unassembled)		\$416.53ea.	\$458.18ea.	\$541.49ea.	\$603.97ea.
132530360-**	48" Wide Gate (Unassembled)		\$437.37ea.	\$481.11ea.	\$568.58ea.	\$634.19ea.

Part No.	Gate Hardware	Qty.	White: 01	Black: 07
933000000-**	Residential Hinge	12	n/a	\$100.54set
933010000-**	Residential Latch	24	n/a	\$47.66ea.
930302120-**	Regular Multi-Adjust Hinge (TCAMA2)	20	\$148.11set	\$148.11set
930312010-**	Lockable Latch S2 (LLAA)	20	\$74.23ea.	\$74.23ea.

# ACCESSORIES



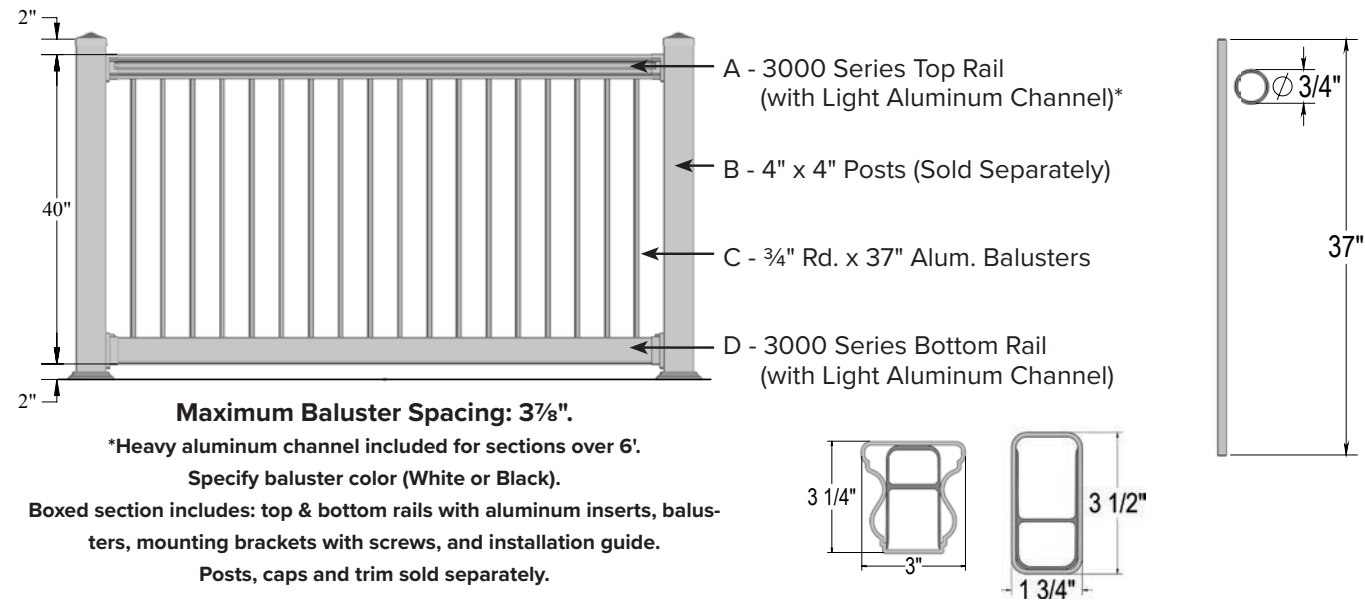
Part No.	Newel Posts	Qty.	White: 01	Almond: 03	Clay: 04	Black: 07
211504395-**	4" x 39" Plain (.115 Wall)	50	\$18.51ea.	n/a	n/a	\$26.84ea.
211504485-**	4" x 48" Plain (.115 Wall)	50	\$22.79ea.	n/a	n/a	n/a
211504390-**	4" x 39" Plain (.150 Wall)	50	\$22.16ea.	\$24.38ea.	\$28.81ea.	\$32.13ea.
211504480-**	4" x 48" Plain (.150 Wall)	50	\$27.26ea.	\$29.99ea.	\$35.44ea.	\$39.53ea.
211504540-**	4" x 54" Plain (.150 Wall)	50	\$30.68ea.	\$33.74ea.	\$39.88ea.	\$44.48ea.

Part No.	Post Caps	Qty.	White: 01	Almond: 03	Clay: 04	Black: 07
910010400-**	4" Flat Cap	210	\$4.59ea.	\$5.05ea.	\$5.97ea.	\$6.66ea.
910011400-**	4" New York Cap	60	\$7.34ea.	\$8.07ea.	\$9.54ea.	n/a
910012400-**	4" New England Cap	32	\$14.71ea.	\$16.18ea.	\$19.12ea.	\$21.33ea.
910020400-**	4" Ball Cap	30	\$14.71ea.	\$16.18ea.	\$19.12ea.	n/a
910022400-**	4" New England Ball Cap	32	\$20.85ea.	n/a	\$27.11ea.	n/a
910023400-**	4" Queen Cap	10	\$25.10ea.	\$27.61ea.	n/a	n/a
910024400-**	4" King Cap	30	\$25.10ea.	n/a	n/a	n/a

Part No.	Post Trim	Qty.	White: 01	Almond: 03	Clay: 04	Black: 07
950000400-**	4" Plain Post Trim	200	\$6.23ea.	\$6.85ea.	\$8.10ea.	\$9.03ea.
950020400-**	4" Classic Post Trim	32	\$7.15ea.	\$7.87ea.	\$9.30ea.	\$10.37ea.
950030400-**	4" Modular Trim Set (4-Pcs.)	60	\$19.30ea.	\$21.23ea.	n/a	n/a

Part No.	Post Mounts	Qty.	List
940843621-**	4" x 36" (4-Lag) 8436G-NT	100	\$81.78ea.
940844221-**	4" x 42" (4-Lag) 8442G-NT	100	\$87.41ea.
940843627-**	4" x 36" Plumb Perfect Pro 8436G-PP	110	\$96.33ea.
940843628-**	4" x 36" Plumb Perfect Advantage 8436G-AD	110	\$83.89ea.

# 3000 SERIES - 42" YORK RAILING



Part No.	42" High Level York Railing	Qty.	White: 01	Almond: 03	Clay: 04	Black: 07
132511424-**	4' Level Boxed Section	24	\$226.28ea.	\$248.91ea.	\$294.16ea.	\$328.11ea.
132511426-**	6' Level Boxed Section	24	\$339.44ea.	\$373.38ea.	\$441.27ea.	\$492.19ea.
132511428-**	8' Level Boxed Section	24	\$452.57ea.	\$497.83ea.	\$588.34ea.	\$656.23ea.
132501420-**	Special Length Level Railing		\$66.76ft.	\$73.44ft.	\$86.79ft.	\$96.80ft.

Part No.	42" High Stair York Railing	Qty.	White: 01	Almond: 03	Clay: 04	Black: 07
132512424-**	4' Stair Boxed Section (32°-36°)	24	\$226.28ea.	\$248.91ea.	\$294.16ea.	\$328.11ea.
132512426-**	6' Stair Boxed Section (32°-36°)	24	\$339.44ea.	\$373.38ea.	\$441.27ea.	\$492.19ea.
132512428-**	8' Stair Boxed Section (32°-36°)	24	\$452.57ea.	\$497.83ea.	\$588.34ea.	\$656.23ea.
132502420-**	Special Length Stair Railing		\$66.76ft.	\$73.44ft.	\$86.79ft.	\$96.80ft.

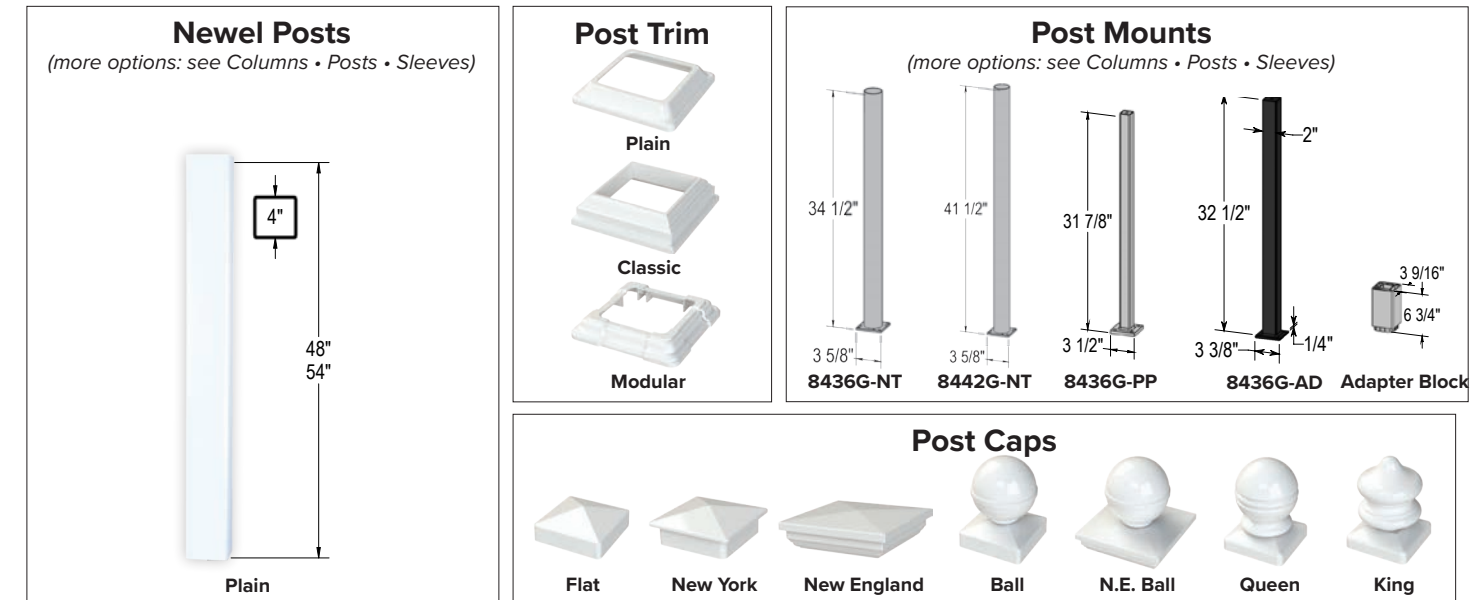
↔ **Specify Length (Does not include Brackets)**

Part No.	Mounting Brackets (3000 Series)	Qty.	White: 01	Almond: 03	Clay: 04	Black: 07
930130400-**	Level Rail, (4/Pk)	42	\$32.85pk.	\$36.14pk.	\$42.71pk.	\$47.63pk.
930230400-**	Stair Rail, 32°-36° (4/Pk)	42	\$32.85pk.	\$36.14pk.	\$42.71pk.	\$47.63pk.
930200004-**	Universal Stair Rail, 28° - 45° (4/Pk)	42	\$32.85pk.	\$36.14pk.	\$42.71pk.	\$47.63pk.

Part No.	42" High York Gates (Hardware not included)	Qty.	White: 01	Almond: 03	Clay: 04	Black: 07
132530420-**	36" Wide Gate (Unassembled)		\$420.48ea.	\$462.53ea.	\$546.62ea.	\$609.70ea.
132530420-**	42" Wide Gate (Unassembled)		\$441.49ea.	\$485.64ea.	\$573.94ea.	\$640.16ea.
132530420-**	48" Wide Gate (Unassembled)		\$463.59ea.	\$509.95ea.	\$602.67ea.	\$672.21ea.

Part No.	Gate Hardware	Qty.	White: 01	Black: 07
933000000-**	Residential Hinge	12	n/a	\$100.54set
933010000-**	Residential Latch	24	n/a	\$47.66ea.
930302120-**	Regular Multi-Adjust Hinge (TCAMA2)	20	\$148.11set	\$148.11set
930312010-**	Lockable Latch S2 (LLAA)	20	\$74.23ea.	\$74.23ea.

# ACCESSORIES



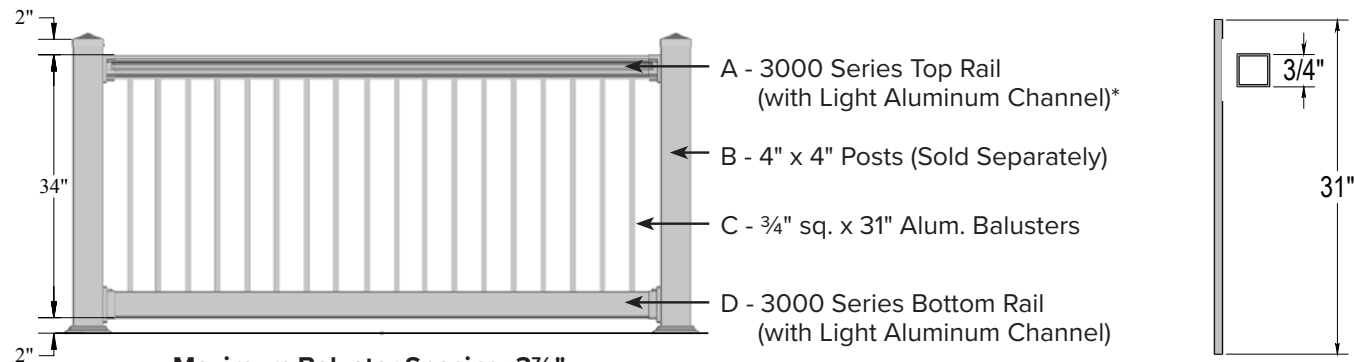
Part No.	Newel Posts	Qty.	White: 01	Almond: 03	Clay: 04	Black: 07
211504485-**	4" x 48" Plain (.115 Wall)	50	\$22.79ea.	n/a	n/a	n/a
211504545-**	4" x 54" Plain (.115 Wall)	50	\$25.63ea.	n/a	n/a	n/a
211504480-**	4" x 48" Plain (.150 Wall)	50	\$27.26ea.	\$29.99ea.	\$35.44ea.	\$39.53ea.
211504540-**	4" x 54" Plain (.150 Wall)	50	\$30.68ea.	\$33.74ea.	\$39.88ea.	\$44.48ea.

Part No.	Post Caps	Qty.	White: 01	Almond: 03	Clay: 04	Black: 07
910010400-**	4" Flat Cap	210	\$4.59ea.	\$5.05ea.	\$5.97ea.	\$6.66ea.
910011400-**	4" New York Cap	60	\$7.34ea.	\$8.07ea.	\$9.54ea.	n/a
910012400-**	4" New England Cap	32	\$14.71ea.	\$16.18ea.	\$19.12ea.	\$21.33ea.
910020400-**	4" Ball Cap	30	\$14.71ea.	\$16.18ea.	\$19.12ea.	n/a
910022400-**	4" New England Ball Cap	32	\$20.85ea.	n/a	\$27.11ea.	n/a
910023400-**	4" Queen Cap	10	\$25.10ea.	\$27.61ea.	n/a	n/a
910024400-**	4" King Cap	30	\$25.10ea.	n/a	n/a	n/a

Part No.	Post Trim	Qty.	White: 01	Almond: 03	Clay: 04	Black: 07
950000400-**	4" Plain Post Trim	200	\$6.23ea.	\$6.85ea.	\$8.10ea.	\$9.03ea.
950020400-**	4" Classic Post Trim	32	\$7.15ea.	\$7.87ea.	\$9.30ea.	\$10.37ea.
950030400-**	4" Modular Trim Set (4-Pcs.)	60	\$19.30ea.	\$21.23ea.	n/a	n/a

Part No.	Post Mounts	Qty.	List
940843621-**	4" x 36" (4-Lag) 8436G-NT	100	\$81.78ea.
940844221-**	4" x 42" (4-Lag) 8442G-NT	100	\$87.41ea.
940843627-**	4" x 36" Plumb Perfect Pro 8436G-PP	110	\$96.33ea.
940843628-**	4" x 36" Plumb Perfect Advantage 8436G-AD	110	\$83.89ea.
940044207-**	Plumb Perfect Adapter Block for 42" High Railing	50	\$19.02ea.

# 3000 SERIES - 36" WITMER RAILING



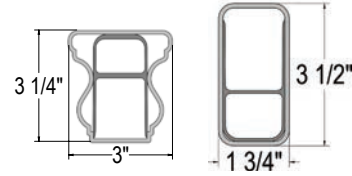
**Maximum Baluster Spacing: 3 7/8".**

\*Heavy aluminum channel included for sections over 6'.

Specify baluster color (White, Black, Bronze or Kona).

Boxed section includes: top & bottom rails with aluminum inserts, balusters, mounting brackets with screws, and installation guide.

Posts, caps and trim sold separately.



Part No.	36" High Level Witmer Railing	Qty.	White: 01	Almond: 03	Clay: 04	Black: 07
132611364-**	4' Level Boxed Section	24	\$234.77ea.	\$258.25ea.	\$305.20ea.	\$340.42ea.
132611366-**	6' Level Boxed Section	24	\$352.14ea.	\$387.35ea.	\$457.78ea.	\$510.60ea.
132611368-**	8' Level Boxed Section	24	\$469.53ea.	\$516.48ea.	\$610.39ea.	\$680.82ea.
132611361-**	10' Level Boxed Section	24	\$586.91ea.	\$645.60ea.	\$762.98ea.	\$851.02ea.
132601360-**	Special Length Level Railing		\$69.27ft.	\$76.20ft.	\$90.05ft.	\$100.44ft.

Part No.	36" High Stair Witmer Railing	Qty.	White: 01	Almond: 03	Clay: 04	Black: 07
132612364-**	4' Stair Boxed Section (32°-36°)	24	\$234.77ea.	\$258.25ea.	\$305.20ea.	\$340.42ea.
132612366-**	6' Stair Boxed Section (32°-36°)	24	\$352.14ea.	\$387.35ea.	\$457.78ea.	\$510.60ea.
132612368-**	8' Stair Boxed Section (32°-36°)	24	\$469.53ea.	\$516.48ea.	\$610.39ea.	\$680.82ea.
132612361-**	10' Stair Boxed Section (32°-36°)	24	\$586.91ea.	\$645.60ea.	\$762.98ea.	\$851.02ea.
132602360-**	Special Length Stair Railing		\$69.27ft.	\$76.20ft.	\$90.05ft.	\$100.44ft.

← Specify Length (Does not include Brackets)

Part No.	Mounting Brackets (3000 Series)	Qty.	White: 01	Almond: 03	Clay: 04	Black: 07
930130400-**	Level Rail, (4/Pk)	42	\$32.85pk.	\$36.14pk.	\$42.71pk.	\$47.63pk.
930230400-**	Stair Rail, 32°-36° (4/Pk)	42	\$32.85pk.	\$36.14pk.	\$42.71pk.	\$47.63pk.
930200004-**	Universal Stair Rail, 28° - 45° (4/Pk)	42	\$32.85pk.	\$36.14pk.	\$42.71pk.	\$47.63pk.

Part No.	36" High Witmer Gates (Hardware not included)	Qty.	White: 01	Almond: 03	Clay: 04	Black: 07
132630360-**	36" Wide Gate (Unassembled)		\$396.73ea.	\$436.40ea.	\$515.75ea.	\$575.26ea.
132630360-**	42" Wide Gate (Unassembled)		\$416.53ea.	\$458.18ea.	\$541.49ea.	\$603.97ea.
132630360-**	48" Wide Gate (Unassembled)		\$437.37ea.	\$481.11ea.	\$568.58ea.	\$634.19ea.

Part No.	Gate Hardware	Qty.	White: 01	Black: 07
933000000-**	Residential Hinge	12	n/a	\$100.54set
933010000-**	Residential Latch	24	n/a	\$47.66ea.
930302120-**	Regular Multi-Adjust Hinge (TCAMA2)	20	\$148.11set	\$148.11set
930312010-**	Lockable Latch S2 (LLAA)	20	\$74.23ea.	\$74.23ea.

# ACCESSORIES

### Newel Posts

(more options: see Columns • Posts • Sleeves)

Plain

### Post Trim

Plain  
Classic  
Modular

### Post Mounts

(more options: see Columns • Posts • Sleeves)

8436G-NT  
8436G-PP  
8436G-AD

### Post Caps

Flat  
New York  
New England  
Ball  
N.E. Ball  
Queen  
King

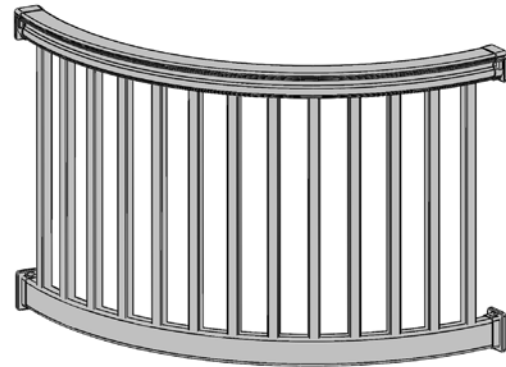
Part No.	Newel Posts	Qty.	White: 01	Almond: 03	Clay: 04	Black: 07
211504395-**	4" x 39" Plain (.115 Wall)	50	\$18.51ea.	n/a	n/a	\$26.84ea.
211504485-**	4" x 48" Plain (.115 Wall)	50	\$22.79ea.	n/a	n/a	n/a
211504390-**	4" x 39" Plain (.150 Wall)	50	\$22.16ea.	\$24.38ea.	\$28.81ea.	\$32.13ea.
211504480-**	4" x 48" Plain (.150 Wall)	50	\$27.26ea.	\$29.99ea.	\$35.44ea.	\$39.53ea.

Part No.	Post Caps	Qty.	White: 01	Almond: 03	Clay: 04	Black: 07
910010400-**	4" Flat Cap	210	\$4.59ea.	\$5.05ea.	\$5.97ea.	\$6.66ea.
910011400-**	4" New York Cap	60	\$7.34ea.	\$8.07ea.	\$9.54ea.	n/a
910012400-**	4" New England Cap	32	\$14.71ea.	\$16.18ea.	\$19.12ea.	\$21.33ea.
910020400-**	4" Ball Cap	30	\$14.71ea.	\$16.18ea.	\$19.12ea.	n/a
910022400-**	4" New England Ball Cap	32	\$20.85ea.	n/a	\$27.11ea.	n/a
910023400-**	4" Queen Cap	10	\$25.10ea.	\$27.61ea.	n/a	n/a
910024400-**	4" King Cap	30	\$25.10ea.	n/a	n/a	n/a

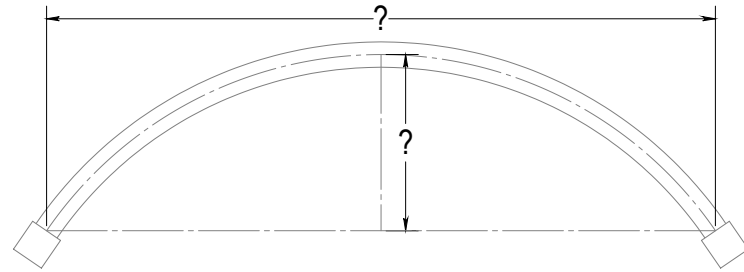
Part No.	Post Trim	Qty.	White: 01	Almond: 03	Clay: 04	Black: 07
950000400-**	4" Plain Post Trim	200	\$6.23ea.	\$6.85ea.	\$8.10ea.	\$9.03ea.
950020400-**	4" Classic Post Trim	32	\$7.15ea.	\$7.87ea.	\$9.30ea.	\$10.37ea.
950030400-**	4" Modular Trim Set (4-Pcs.)	60	\$19.30ea.	\$21.23ea.	n/a	n/a

Part No.	Post Mounts	Qty.	List
940843621-**	4" x 36" (4-Lag) 8436G-NT	100	\$81.78ea.
940843627-**	4" x 36" Plumb Perfect Pro 8436G-PP	110	\$96.33ea.
940843628-**	4" x 36" Plumb Perfect Advantage 8436G-AD	110	\$83.89ea.

# BEND SECTIONS



3000 Series Bend Section



Measurements needed for Bend Sections.  
(Max rail length = 96")

Part No.	3000 Series Bend Sections	Qty.	White: 01	Almond: 03	Clay: 04	Black: 07
101535300-**	Bend Section 30" High Model w/Alum.		\$46.17ft.	\$50.80ft.	\$60.02ft.	n/a
101535360-**	Bend Section 36" High Model w/Alum.		\$49.12ft.	\$54.03ft.	\$63.86ft.	n/a
101535420-**	Bend Section 42" High Model w/Alum.		\$52.09ft.	\$57.29ft.	\$67.69ft.	n/a
100035300-**	Bend Section 30" High {Style} w/Alum.		\$59.20ft.	\$65.10ft.	\$76.95ft.	n/a
100035360-**	Bend Section 36" High {Style} w/Alum.		\$62.98ft.	\$69.27ft.	\$81.87ft.	n/a
100035420-**	Bend Section 42" High {Style} w/Alum.		\$66.75ft.	\$73.42ft.	\$86.78ft.	n/a
101536300-**	Bend Section 30" High Model No Alum.		\$31.88ft.	\$35.07ft.	\$41.46ft.	n/a
101536360-**	Bend Section 36" High Model No Alum.		\$34.83ft.	\$38.32ft.	\$45.29ft.	n/a
101536420-**	Bend Section 42" High Model No Alum.		\$37.80ft.	n/a	n/a	n/a
100036360-**	Bend Section 36" High {Style} No Alum.		\$48.69ft.	\$53.55ft.	\$63.29ft.	n/a

‡ Measurements are needed for each bend section. (Refer to drawing.) Specify Series.

‡ Bending fee must be added to each section! (Please call for lead time)

‡ Only available for 36" high railing, but are not available for aluminum

{Style} = Specify style of turned or aluminum baluster.

Part No.	3000 Series Bending Fees	Qty.	List
100035009-**	Bending Fee w/Aluminum		\$1,011.24ea.
100036009-**	Bending Fee No Aluminum		\$711.61ea.

No quantity or multiplier discounts apply.



# 5000 SERIES

Superior's 5000 Series is the most sizeable railing we offer and can hold its own on the largest builds and installations. The 5000 Series is perfect for estates, country clubs, or other large commercial properties.

## COLORS

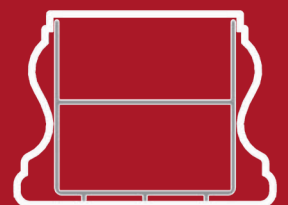
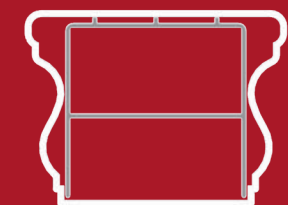


WHITE



CLAY

## PROFILE

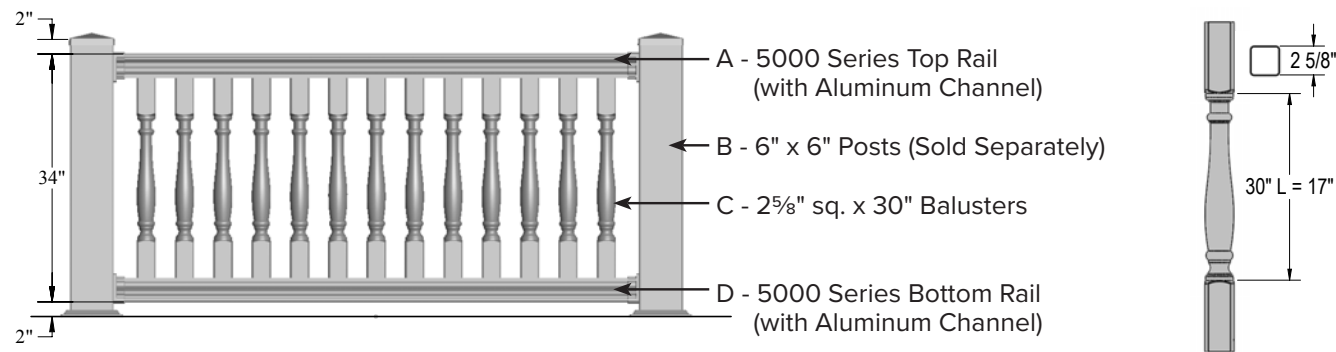


### Important Notifications:

*Qty.* indicates Box or Skid quantities. The \*\* in Part Number represents the color codes. 5000 series railing sections do not include posts, caps or trim.

Terms: Net 30 days to approved accounts. Otherwise: Cash, check or money order. Prices F.O.B. New Holland, PA / Prices subject to change without notice.

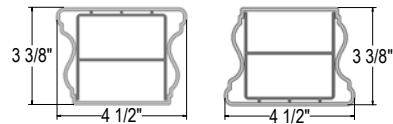
# 5000 SERIES - 36" VINTAGE RAILING



**Maximum baluster spacing: 2 5/8".**

Boxed section includes: top & bottom rails with aluminum inserts, balusters, mounting brackets with screws, and installation guide.

Posts, caps and trim sold separately.



Part No.	36" High Level Vintage Railing	Qty.	White: 01	Clay: 04
155011364-**	4' Level Boxed Section	25	\$560.32ea.	\$728.42ea.
155011366-**	6' Level Boxed Section	25	\$840.49ea.	\$1,092.64ea.
155011368-**	8' Level Boxed Section	25	\$1,120.64ea.	\$1,456.83ea.
155011361-**	10' Level Boxed Section	25	\$1,400.80ea.	\$1,821.04ea.
155001360-**	Special Length Level Railing		\$165.30ft.	\$214.89ft.

Part No.	36" High Stair Vintage Railing	Qty.	White: 01	Clay: 04
155012364-**	4' Stair Boxed Section	25	\$560.32ea.	\$728.42ea.
155012366-**	6' Stair Boxed Section	25	\$840.49ea.	\$1,092.64ea.
155012368-**	8' Stair Boxed Section	25	\$1,120.64ea.	\$1,456.83ea.
155012361-**	10' Stair Boxed Section	25	\$1,400.80ea.	\$1,821.04ea.
155002360-**	Special Length Stair Railing		\$165.30ft.	\$214.89ft.

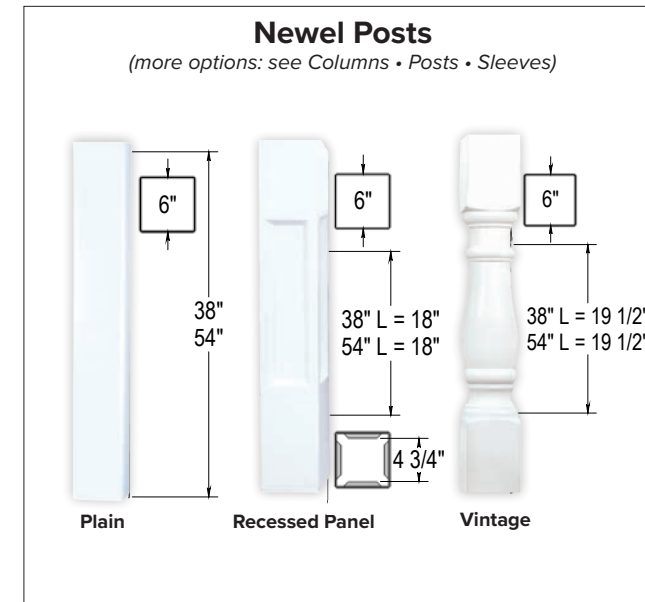
↔ **Specify Length (Does not include Brackets)**

Part No.	Mounting Brackets (5000 Series)	Qty.	White: 01	Clay: 04
930150400-**	Level Rail, (4/Pk)	30	\$49.29pk.	\$64.08pk.
930250400-**	Stair Rail, 32°-36° (4/Pk)	30	\$49.29pk.	\$64.08pk.
930250004-**	Universal Stair Rail, (4/Pk)	30	\$49.29pk.	n/a

Part No.	36" High Vintage Gates (Hardware not included)	Qty.	White: 01	Clay: 04
155030360-**	36" Wide Gate (Unassembled)		\$694.72ea.	\$903.14ea.
155030360-**	42" Wide Gate (Unassembled)		\$742.87ea.	\$965.73ea.
155030360-**	48" Wide Gate (Unassembled)		\$794.86ea.	\$1,033.32ea.

Part No.	Gate Hardware	Qty.	White: 01	Black: 07
933100000-**	Commercial Hinge	10	n/a	\$119.82set
933110000-**	Commercial Latch	12	n/a	\$59.03ea.
930302220-**	Heavy Duty Multi-Adjust Hinge (TCHDMA1)	10	\$199.73set	\$199.73set
930312010-**	Lockable Latch S2 (LLAA)	20	\$74.23ea.	\$74.23ea.

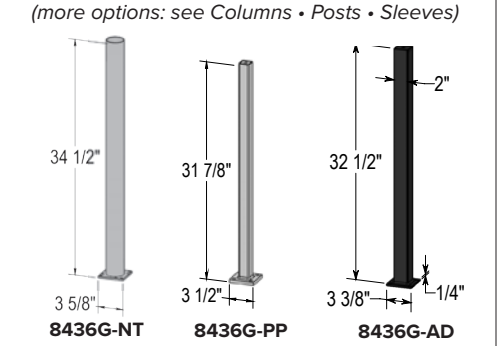
# ACCESSORIES



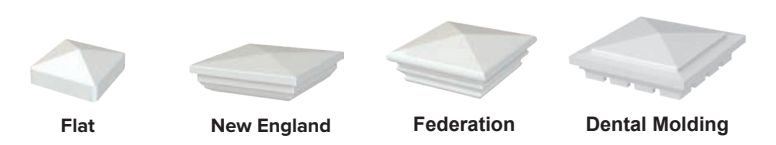
## Post Trim



## Post Mounts



## Post Caps



Part No.	Newel Posts	Qty.	White: 01	Clay: 04
211506380-**	6" x 38" Plain	36	\$43.24ea.	\$56.21ea.
211506540-**	6" x 54" Plain	36	\$61.44ea.	\$79.87ea.
210606380-**	6" x 38" Recessed Panel	36	\$138.29ea.	\$179.77ea.
210606540-**	6" x 54" Recessed Panel (Stair)	36	\$183.20ea.	\$238.16ea.
215006380-**	6" x 38" Vintage	36	\$138.29ea.	\$179.77ea.
215006540-**	6" x 54" Vintage (Stair)	36	\$183.20ea.	\$238.16ea.

Part No.	Post Caps	Qty.	White: 01	Clay: 04
910010600-**	6" Flat Cap	162	\$20.89ea.	\$27.16ea.
910012600-**	6" New England Cap	32	\$33.99ea.	\$44.19ea.
910013600-**	6" Federation Cap	24	\$72.30ea.	n/a
910014600-**	6" Dental Molding Cap	24	\$33.99ea.	n/a

Part No.	Post Trim	Qty.	White: 01	Clay: 04
950000600-**	6" Plain Post Trim	80	\$16.34ea.	\$21.24ea.
950020600-**	6" Classic Post Trim ♦	56	\$25.46ea.	\$33.10ea.
950030360-**	3" - 6 1/2" Modular Trim Set (4-Pcs. Adjustable) *	40	\$24.25ea.	\$31.53ea.

\* 3 - 6 1/2" Modular Trim is adjustable from 3 - 6 1/2" and has a square corner radius.

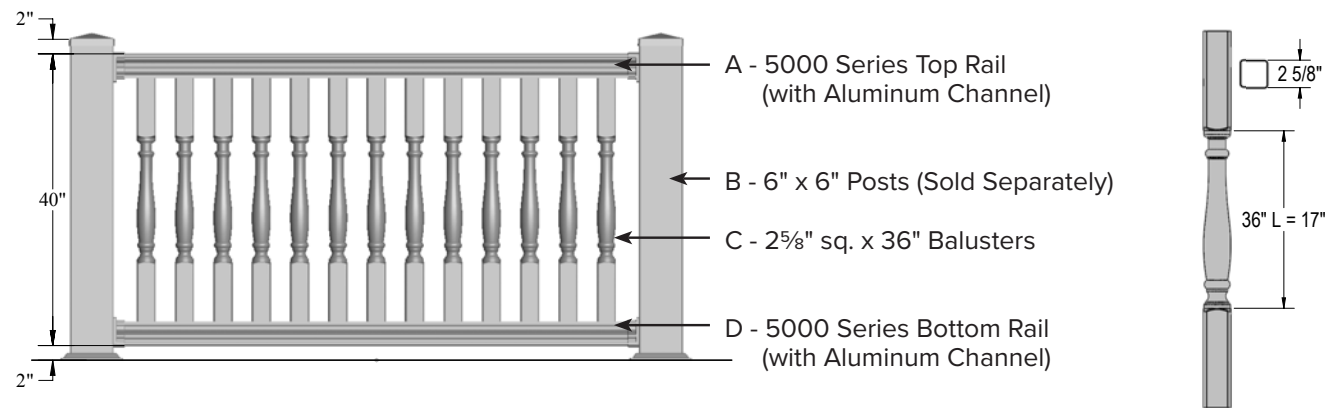
♦ **Corner radius of 6" Classic Trim matches 6" Recessed Panel Posts.**

Part No.	Post Mounts	Qty.	List
940843621-**	4" x 36" (4-Lag) 8436G-NT	100	\$81.78ea.
940060000-**	6" Adapter Block for 8436G-NT and 8442G-NT	50	\$37.22ea.
940843627-**	4" x 36" Plumb Perfect Pro 8436G-PP	110	\$96.33ea.
940843628-**	4" x 36" Plumb Perfect Advantage 8436G-AD	110	\$83.89ea.
940060007-**	6" Plumb Perfect Sleeve Over Block	9	\$49.94ea.

Both Plumb Perfect Post Mounts are not compatible with 54" Molded Newel Posts.



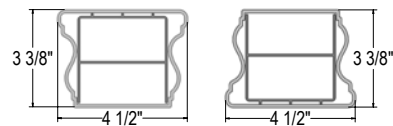
# 5000 SERIES - 42" VINTAGE RAILING



**Maximum baluster spacing: 2 7/8".**

Boxed section includes: top & bottom rails with aluminum inserts, balusters, mounting brackets with screws, and installation guide.

Posts, caps and trim sold separately.



Part No.	42" High Level Vintage Railing	Qty.	White: 01	Clay: 04
155011424-**	4' Level Boxed Section	25	\$593.90ea.	\$772.07ea.
155011426-**	6' Level Boxed Section	25	\$890.86ea.	\$1,158.12ea.
155011428-**	8' Level Boxed Section	25	\$1,187.81ea.	\$1,544.15ea.
155011421-**	10' Level Boxed Section	25	\$1,484.75ea.	\$1,930.18ea.
155001420-**	Special Length Level Railing		\$175.20ft.	\$227.76ft.

Part No.	42" High Stair Vintage Railing	Qty.	White: 01	Clay: 04
155012424-**	4' Stair Boxed Section	25	\$593.90ea.	\$772.07ea.
155012426-**	6' Stair Boxed Section	25	\$890.86ea.	\$1,158.12ea.
155012428-**	8' Stair Boxed Section	25	\$1,187.81ea.	\$1,544.15ea.
155012421-**	10' Stair Boxed Section	25	\$1,484.75ea.	\$1,930.18ea.
155002420-**	Special Length Stair Railing		\$175.20ft.	\$227.76ft.

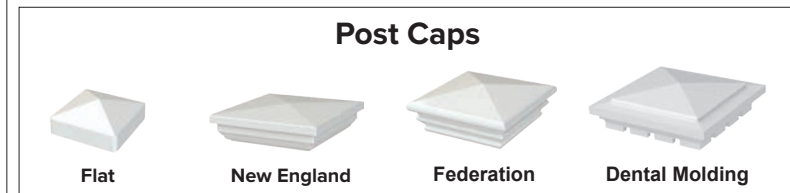
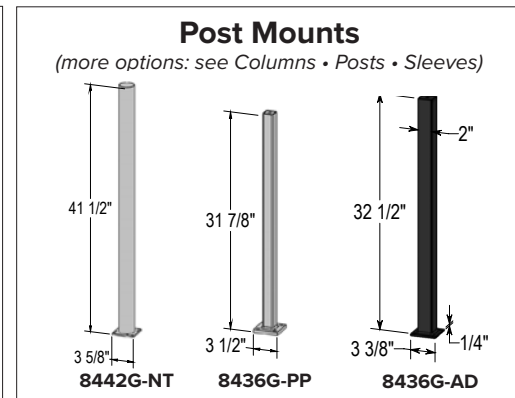
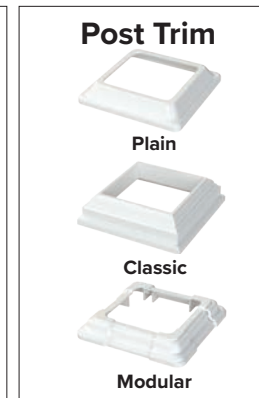
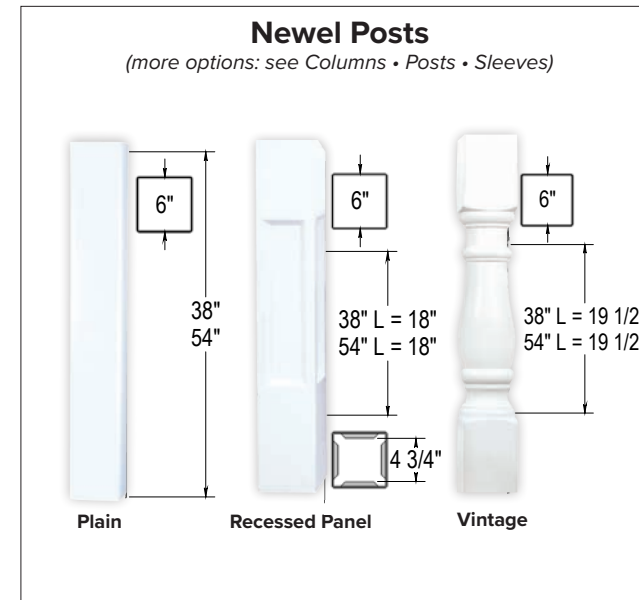
↔ **Specify Length (Does not include Brackets)**

Part No.	Mounting Brackets (5000 Series)	Qty.	White: 01	Clay: 04
930150400-**	Level Rail, (4/Pk)	30	\$49.29pk.	\$64.08pk.
930250400-**	Stair Rail, 32°-36° (4/Pk)	30	\$49.29pk.	\$64.08pk.
930250004-**	Universal Stair Rail, (4/PK)	30	\$49.29pk.	n/a

Part No.	42" High Vintage Gates (Hardware not included)	Qty.	White: 01	Clay: 04
155030420-**	36" Wide Gate (Unassembled)		\$735.82ea.	\$956.57ea.
155030420-**	42" Wide Gate (Unassembled)		\$787.33ea.	\$1,023.53ea.
155030420-**	48" Wide Gate (Unassembled)		\$842.44ea.	\$1,095.17ea.

Part No.	Gate Hardware	Qty.	White: 01	Black: 07
933100000-**	Commercial Hinge	10	n/a	\$119.82set
933110000-**	Commercial Latch	12	n/a	\$59.03ea.
930302220-**	Heavy Duty Multi-Adjust Hinge (TCHDMA1)	10	\$199.73set	\$199.73set
930312010-**	Lockable Latch S2 (LLAA)	20	\$74.23ea.	\$74.23ea.

# ACCESSORIES



Part No.	Newel Posts	Qty.	White: 01	Clay: 04
211506540-**	6" x 54" Plain	36	\$61.44ea.	\$79.87ea.
210606540-**	6" x 54" Recessed Panel (Stair)	36	\$183.20ea.	\$238.16ea.
215006540-**	6" x 54" Vintage (Stair)	36	\$183.20ea.	\$238.16ea.

Part No.	Post Caps	Qty.	White: 01	Clay: 04
910010600-**	6" Flat Cap	100	\$20.89ea.	\$27.16ea.
910012600-**	6" New England Cap	32	\$33.99ea.	\$44.19ea.
910013600-**	6" Federation Cap	24	\$72.30ea.	n/a
910014600-**	6" Dental Molding Cap	24	\$33.99ea.	n/a

Part No.	Post Trim	Qty.	White: 01	Clay: 04
950000600-**	6" Plain Post Trim	80	\$16.34ea.	\$21.24ea.
950020600-**	6" Classic Post Trim ♦	56	\$25.46ea.	\$33.10ea.
950030360-**	3" - 6 1/2" Modular Trim Set (4-Pcs. Adjustable) *	40	\$24.25ea.	\$31.53ea.

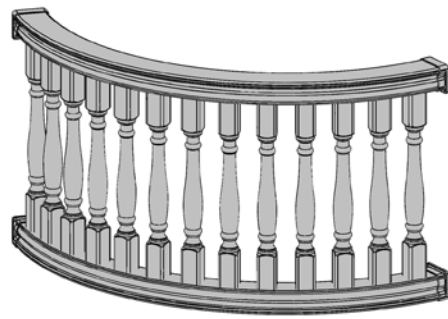
\* 3 - 6 1/2" Modular Trim is adjustable from 3 - 6 1/2" and has a square corner radius.

♦ **Corner radius of 6" Classic Trim matches 6" Recessed Panel Posts.**

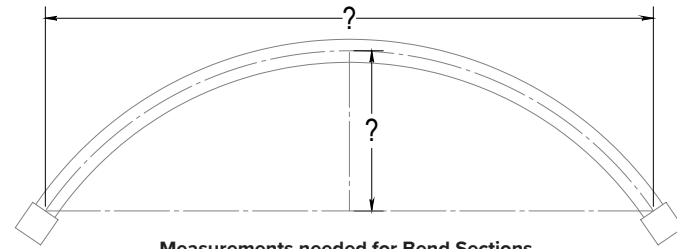
Part No.	Post Mounts	Qty.	List
940844221-**	4" x 42" (4-Lag) 8442G-NT	100	\$87.41ea.
940060000-**	6" Adapter Block for 8436G-NT and 8442G-NT	50	\$37.22ea.
940843627-**	4" x 36" Plumb Perfect Pro 8436G-PP	110	\$96.33ea.
940843628-**	4" x 36" Plumb Perfect Advantage 8436G-AD	110	\$83.89ea.
940044207-**	Plumb Perfect Adapter Block for 42" High Railing	50	\$19.02ea.
940060007-**	6" Plumb Perfect Sleeve Over Block	9	\$49.94ea.

Both Plumb Perfect Post Mounts are not compatible with 54" Molded Newel Posts.

# 5000 SERIES BEND SECTIONS



5000 Series Bend Section



Measurements needed for Bend Sections.  
(Max rail length = 96")

Part No.	5000 Series Bend Sections	Qty.	White: 01	Clay: 04
155035360-**	Bend Sect. 36" High Vintage w/Alum.		\$165.30ft.	\$214.90ft.
155035420-**	Bend Sect. 42" High Vintage w/Alum.		\$175.20ft.	\$227.76ft.
155036360-**	Bend Sect. 36" High Vintage No Alum.		\$110.22ft.	\$143.26ft.

‡ Bending fee must be added to each section! (Please call for lead time)

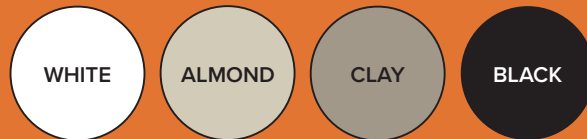
Part No.	5000 Series Bending Fees	Qty.	List
150035009-**	Bending Fee w/Aluminum		\$1,576.76ea.
150036009-**	Bending Fee No Aluminum		\$1,048.06ea.

No quantity or multiplier discounts apply.

# ADA COMPLIANT ALUMINUM HANDRAIL

ADA Aluminum Handrail adds safety and security without compromising on looks! This handrail is designed to coordinate perfectly with Superior's existing railing for a beautiful, functional, and safe railing system.

## COLORS



**Important Notifications:**  
Qty. indicates Box or Skid quantities. The \*\* in Part Number represents the color codes.

Terms: Net 30 days to approved accounts. Otherwise: Cash, check or money order. Prices F.O.B. New Holland, PA / Prices subject to change without notice.



## ADA ALUMINUM HANDRAIL



Part No.	1 1/2" ADA Aluminum Handrail	Qty.	White: 01	Almond: 03	Clay: 04	Black: 07
920215000-**	End Cap	100	\$4.29ea.	\$5.36ea.	\$5.36ea.	\$4.29ea.
920315000-**	P-Loop Return	16	\$44.76ea.	\$55.95ea.	\$55.95ea.	\$44.76ea.
920415000-**	ADA Handrail Bracket	50	\$22.68ea.	\$28.35ea.	\$28.35ea.	\$22.68ea.
920515000-**	Handrail Connector w/Ring	100	\$10.28ea.	\$12.85ea.	\$12.85ea.	\$10.28ea.
920615000-**	5° Radius Elbow (24")	50	\$25.06ea.	\$31.33ea.	\$31.33ea.	\$25.06ea.
920815000-**	34° Radius Elbow (24")	48	\$25.06ea.	\$31.33ea.	\$31.33ea.	\$25.06ea.
921015000-**	104" Straight Handrail	10	\$84.25ea.	\$105.31ea.	\$105.31ea.	\$84.25ea.
923015000-**	120" Straight Handrail	10	\$99.75ea.	\$124.69ea.	\$124.69ea.	\$99.75ea.
921115000-**	90° Radius Elbow (24")	25	\$25.06ea.	\$31.33ea.	\$31.33ea.	\$25.06ea.
921215000-**	6" Corner Mounting Bracket	25	\$37.39ea.	\$46.74ea.	\$46.74ea.	\$37.39ea.
921315000-**	0 to 90° Universal Elbow	50	\$21.63ea.	\$27.04ea.	\$27.04ea.	\$21.63ea.
921415000-**	Mounting Bracket Insert (Poly)	25	\$10.91ea.	\$13.64ea.	\$13.64ea.	\$10.91ea.
921515000-**	Outside Elbow	50	\$15.48ea.	\$19.35ea.	\$19.35ea.	\$15.48ea.
921615000-**	Aluminum 90° Elbow Bracket w/Ring	50	\$41.98ea.	\$52.48ea.	\$52.48ea.	\$41.98ea.
922015000-**	Straight Alum. Wall Bracket w/Ring	50	\$19.95ea.	\$24.94ea.	\$24.94ea.	\$19.95ea.
922115100-**	Gate Return (Includes Outside Elbow) (For mounting on Vinyl Posts Only)	25	\$59.81ea.	\$74.76ea.	\$74.76ea.	\$59.81ea.
922215000-**	External Universal Elbow	50	\$55.65ea.	\$69.56ea.	\$69.56ea.	\$55.65ea.

# COLUMNS POSTS & SLEEVES

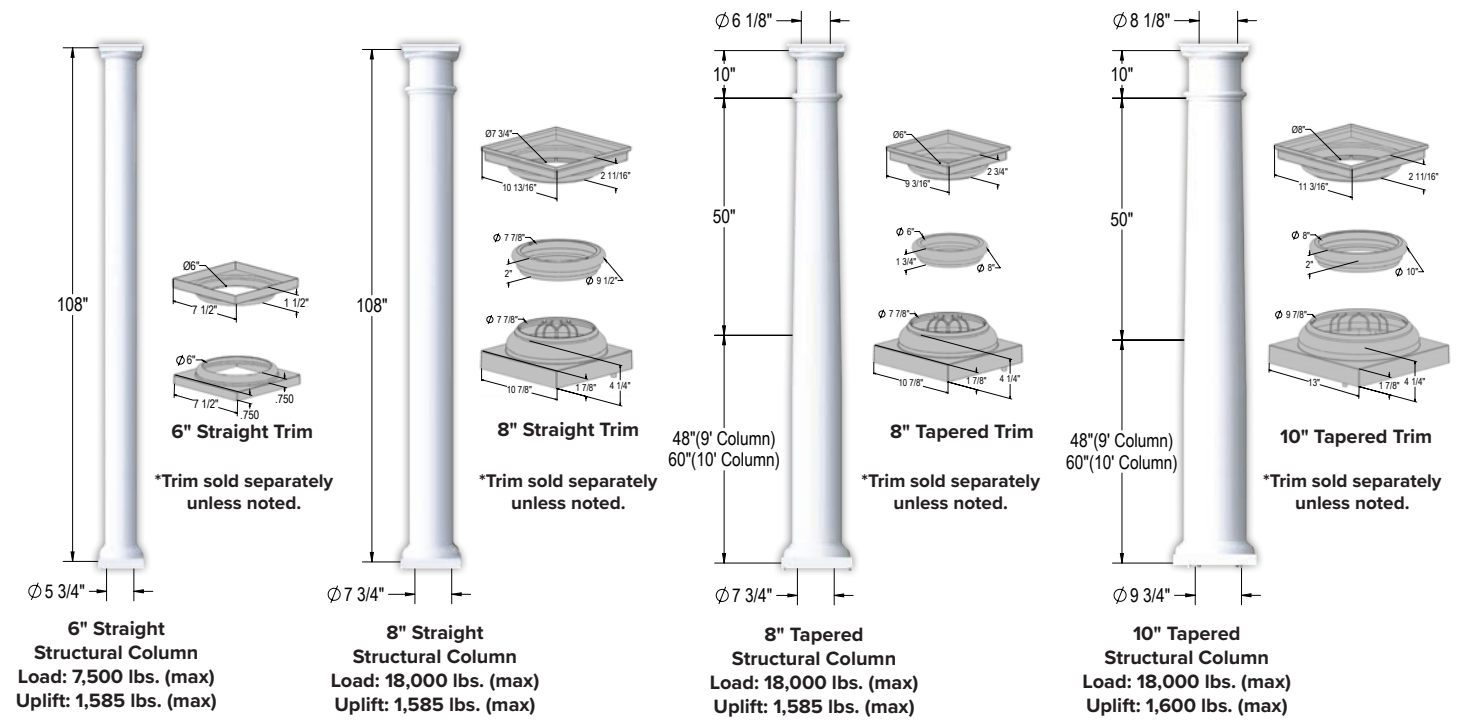
Superior's beautiful vinyl columns and posts give your home a refined look while requiring little effort to maintain. Each structural post and column contains an aluminum insert that provides support for a roof.



**Important Notifications:**  
Qty. indicates Box or Skid quantities. The \*\* in Part Number represents the color codes.

Terms: Net 30 days to approved accounts. Otherwise: Cash, check or money order. Prices F.O.B. New Holland, PA / Prices subject to change without notice.

## ROUND STRUCTURAL PORCH COLUMNS



Part No.	Round Structural Porch Columns	Qty.	White: 01	Almond: 03	Clay: 04	Black: 07
266116108-**-	6" x 108" Straight Porch Column	30	\$320.08ea.	\$352.08ea.	\$416.10ea.	n/a
266118108-**-	8" x 108" Straight Porch Column	25	\$379.53ea.	\$417.49ea.	\$493.39ea.	n/a
266018108-**-	8" x 108" Tapered Column	25	\$396.81ea.	n/a	n/a	n/a
266018120-**-	8" x 120" Tapered Column	25	\$434.79ea.	\$478.27ea.	\$565.23ea.	n/a
266011108-**-	10" x 108" Tapered Column	16	\$465.80ea.	n/a	n/a	n/a
266011120-**-	10" x 120" Tapered Column	16	\$508.94ea.	\$559.83ea.	\$661.62ea.	n/a

Columns include mounting plates. (Not intended for free-standing structures.)

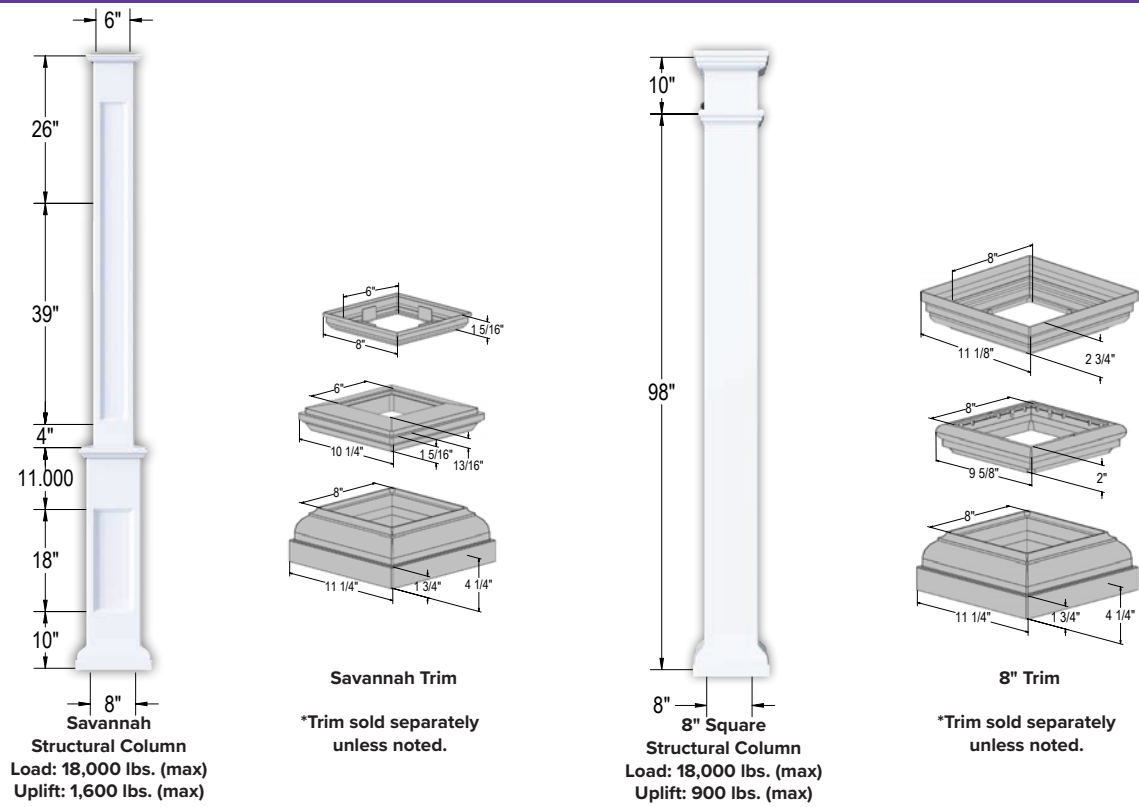
Part No.	Round Hollow Columns	Qty.	White: 01	Almond: 03	Clay: 04	Black: 07
266136108-**-	6" x 108" Straight Porch Column	30	\$242.12ea.	\$266.33ea.	n/a	n/a
266138108-**-	8" x 108" Straight Porch Column	25	\$301.58ea.	\$331.74ea.	\$392.05ea.	n/a
266038108-**-	8" x 108" Tapered Column	25	\$318.85ea.	n/a	n/a	n/a
266038120-**-	8" x 120" Tapered Column	25	\$356.83ea.	\$392.51ea.	\$463.88ea.	n/a
266031108-**-	10" x 108" Tapered Column	16	\$387.84ea.	n/a	n/a	n/a
266031120-**-	10" x 120" Tapered Column	16	\$430.97ea.	\$474.06ea.	\$560.26ea.	n/a

Columns include mounting plates. (Not intended for free-standing structures.)

Part No.	Round Column Trim	Qty.	White: 01	Almond: 03	Clay: 04	Black: 07
955061060-**-	6" Straight Column Trim (2/Pk)	30	\$53.95ea.	\$59.34ea.	\$70.13ea.	n/a
955061080-**-	8" Straight Column Trim (3/Pk)	25	\$120.79ea.	\$132.86ea.	\$157.02ea.	n/a
955060080-**-	8" Tapered Trim (3/Pk)	25	\$120.79ea.	\$132.86ea.	\$157.02ea.	n/a
955060100-**-	10" Tapered Trim (3/Pk)	16	\$144.55ea.	\$159.01ea.	\$187.92ea.	n/a

COLUMNS/POSTS

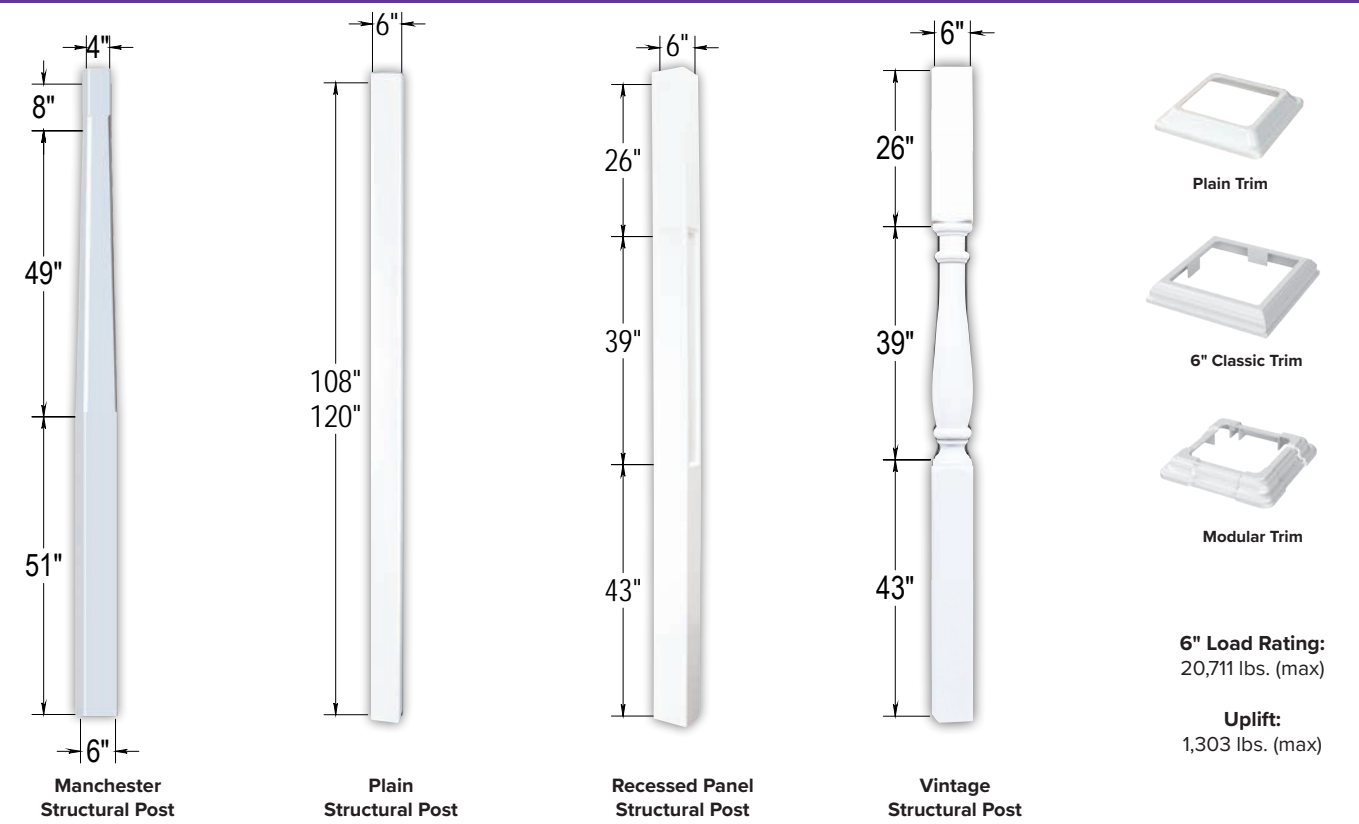
# SQUARE STRUCTURAL COLUMNS, PLATES



Part No.	Square Structural Columns	Qty.	White: 01	Almond: 03	Clay: 04	Black: 07
266510108-**	108" Savannah Column w/Trim	25	\$608.55ea.	n/a	\$791.11ea.	n/a
266218108-**	8" x 108" Square Porch Column	25	\$460.04ea.	\$506.04ea.	\$598.05ea.	\$667.05ea.
266218120-**	8" x 120" Square Porch Column	25	\$511.16ea.	\$562.27ea.	\$664.50ea.	\$741.18ea.
955062080-**	8" Square Column Trim (3/Pk)	25	\$137.64ea.	\$151.40ea.	\$178.93ea.	\$199.58ea.

Columns include mounting plates. (Not intended for free-standing structures.)

# 6" STRUCTURAL PORCH POSTS



Part No.	6" Structural Porch Posts	Qty.	White: 01	Almond: 03	Clay: 04	Black: 07
221516108-**	6" x 108" Plain	24	\$396.81ea.	\$436.50ea.	\$515.86ea.	n/a
220616108-**	6" x 108" Recessed Panel	24	\$396.81ea.	n/a	\$515.86ea.	n/a
225016108-**	6" x 108" Vintage	24	\$396.81ea.	n/a	\$515.86ea.	n/a
221516120-**	6" x 120" Plain	24	\$440.90ea.	\$484.98ea.	\$573.16ea.	n/a

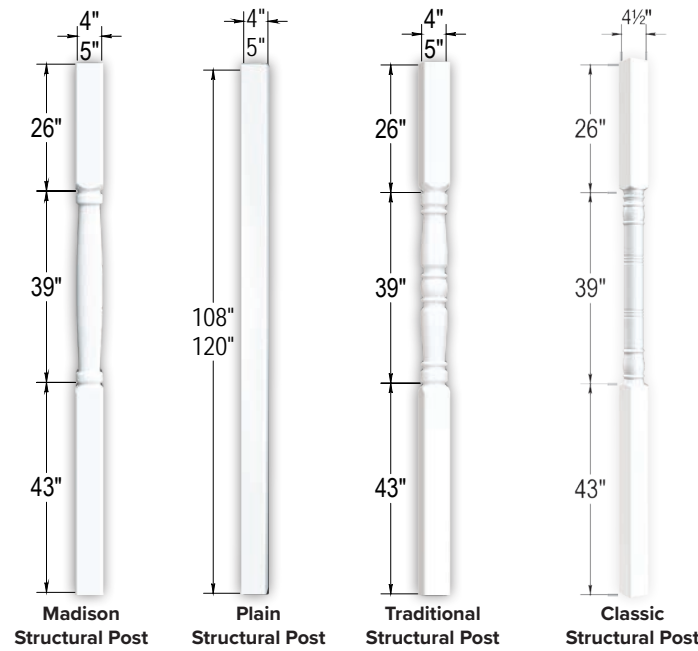
120" Posts are non-stock. (Please call for lead time.)

Porch Posts include plates. (Not intended for free-standing structures.)

Part No.	6" Post Trim	Qty.	White: 01	Almond: 03	Clay: 04	Black: 07
950030360-**	3" - 6 1/2" Modular Trim Set (4-Pcs. Adjustable) ♦	40	\$24.25ea.	\$26.68ea.	\$31.53ea.	\$35.16ea.
950000600-**	6" Plain Post Trim	80	\$16.34ea.	\$17.97ea.	\$21.24ea.	\$23.69ea.
950020600-**	6" Classic Post Trim	56	\$25.46ea.	\$28.01ea.	\$33.10ea.	\$36.92ea.
950040600-**	6" Federation Post Trim	24	\$17.34ea.	\$19.07ea.	\$22.54ea.	\$25.14ea.

♦ 3 - 6 1/2" Modular Trim is adjustable from 3 - 6 1/2" and has a square corner radius.

## STRUCTURAL PORCH POSTS



**4" Load Rating:**  
11,500 lbs. (max)

**4 1/2" Load Rating:**  
17,500 lbs. (max)

**5" Load Rating:**  
18,750 lbs. (max)

**Uplift (all sizes):**  
1,750 lbs. (max)

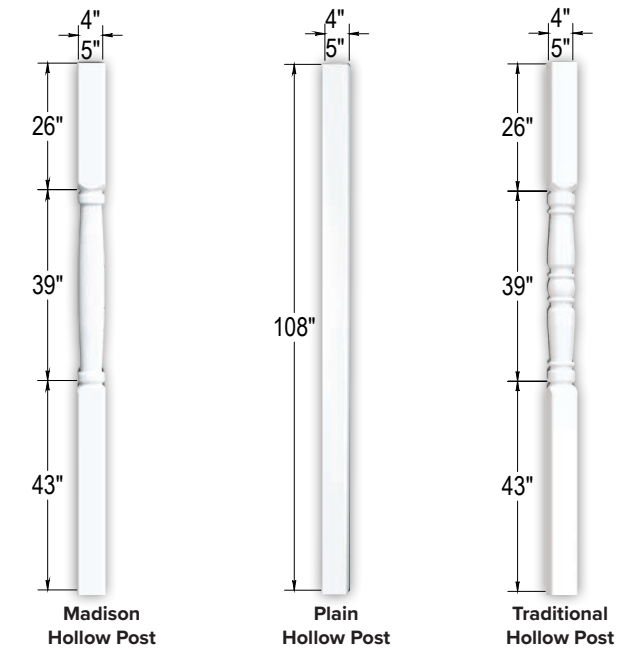
Part No.	Structural Porch Posts	Qty.	White: 01	Almond: 03	Clay: 04	Black: 07
220344108-**	4" x 108" Madison	60/30	\$181.60ea.	\$199.76ea.	\$236.08ea.	n/a
221544108-**	4" x 108" Plain	60/30	\$181.60ea.	\$199.76ea.	\$236.08ea.	\$263.32ea.
220444108-**	4" x 108" Traditional	60/30	\$181.60ea.	\$199.76ea.	\$236.08ea.	n/a
225844108-**	4 1/2" x 108" Classic	27	\$190.56ea.	\$209.62ea.	\$247.73ea.	n/a
220345108-**	5" x 108" Madison	40/24	\$199.50ea.	\$219.45ea.	\$259.35ea.	n/a
221545108-**	5" x 108" Plain	40/24	\$199.50ea.	\$219.45ea.	\$259.35ea.	\$289.28ea.
220445108-**	5" x 108" Traditional	40/24	\$199.50ea.	\$219.45ea.	\$259.35ea.	n/a
221545120-**	5" x 120" Plain	40/24	\$221.67ea.	\$243.84ea.	\$288.17ea.	\$321.42ea.

† First quantity is for white / second quantity is for all other colors.

120" Posts are non-stock. (Please call for lead time.)

Porch Posts include plates. (Not intended for free-standing structures.)

## HOLLOW PORCH POSTS



Part No.	Hollow Porch Posts	Qty.	White: 01	Almond: 03	Clay: 04	Black: 07
220334108-**	4" x 108" Madison	60/30	\$140.09ea.	\$154.10ea.	\$182.12ea.	n/a
221534108-**	4" x 108" Plain	60/30	\$140.09ea.	\$154.10ea.	\$182.12ea.	n/a
220434108-**	4" x 108" Traditional	60/30	\$140.09ea.	\$154.10ea.	\$182.12ea.	n/a
220335108-**	5" x 108" Madison	40/24	\$161.13ea.	\$177.25ea.	\$209.47ea.	n/a
221535108-**	5" x 108" Plain	40/24	\$161.13ea.	\$177.25ea.	\$209.47ea.	n/a
220435108-**	5" x 108" Traditional	40/24	\$161.13ea.	\$177.25ea.	\$209.47ea.	n/a

† First quantity is for white / second quantity is for all other colors.

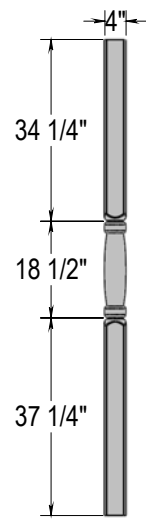
Porch Posts include plates. (Not intended for free-standing structures.)

# GAZEBO AND SHED POSTS

Gazebo and Shed Posts do not include plates.

**Gazebo Post =**  
 .075 Wall Alum.  
**4" Load Rating: 7,800 lbs. (max)**

**Shed Post =**  
 .100 Wall Alum.  
**4" Load Rating: 10,500 lbs. (max)**  
**Uplift (all sizes): 1,750 lbs. (max)**



Madison Gazebo / Shed Post

Gazebo Posts and Shed Posts are identical in appearance, the only difference being the difference in length of the structural pipe inside. (The pipe for Gazebo Posts ends 18" short of the end of the post, whereas the pipe for Shed Posts is from end to end)

Part No.	Gazebo Posts	Qty.	White: 01	Almond: 03	Clay: 04	Black: 07
230354090-**-	4" x 90" Madison Gazebo Post	30	\$169.58ea.	\$186.53ea.	\$220.45ea.	n/a

Part No.	Shed Posts	Qty.	White: 01	Almond: 03	Clay: 04	Black: 07
230314090-**-	4" x 90" Madison Shed Post	30	\$169.58ea.	\$186.53ea.	\$220.45ea.	n/a



Plain Trim



Modular Trim



4" Classic Trim

Part No.	Post Trim	Qty.	White: 01	Almond: 03	Clay: 04	Black: 07
950030360-**-	3" - 6 1/2" Modular Trim Set (4-Pcs. Adjustable) ♦	40	\$24.25ea.	\$26.68ea.	\$31.53ea.	\$35.16ea.
950000400-**-	4" Plain Post Trim	200	\$6.23ea.	\$6.85ea.	\$8.10ea.	\$9.03ea.
950020400-**-	4" Classic Post Trim	32	\$7.15ea.	\$7.87ea.	\$9.30ea.	\$10.37ea.
950030400-**-	4" Modular Trim Set (4-Pcs.)	60	\$19.30ea.	\$21.23ea.	n/a	n/a
950030450-**-	4 1/2" Modular Trim Set (4-Pcs.)	60	\$19.95ea.	\$21.95ea.	n/a	n/a
950000500-**-	5" Plain Post Trim	100	\$11.78ea.	\$12.96ea.	\$15.31ea.	\$17.08ea.
950030500-**-	5" Modular Trim Set (4-Pcs.) *	40	\$20.58ea.	\$22.64ea.	\$26.75ea.	n/a

♦ 3 - 6 1/2" Modular Trim is adjustable from 3 - 6 1/2" and has a square corner radius.

\* Corner radius of 5" Modular Trim matches 5" Turned Posts.

# PLATES AND SPACERS



Top/Bottom 8" Straight Round Column Plate



Top/Bottom 8" Square Column Plate

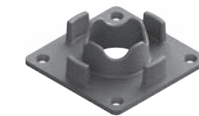
Part No.	Column Plates	Qty.	List
956061060-**-	6" Straight Round Column Plate		\$36.07ea.
956061080-**-	8" Straight Round Column Plate		\$34.69ea.
956060081-**-	8" Tapered Round Column Plate (Top)		\$25.44ea.
956060082-**-	8" Tapered Round Column Plate (Bottom)		\$34.69ea.
956060101-**-	10" Tapered Round Column Plate (Top)		\$37.55ea.
956060102-**-	10" Tapered Round Column Plate (Bottom)		\$65.29ea.
956062080-**-	8" Sq. Column Plate		\$42.47ea.



4" Porch Post Plate



4 1/2" Porch Post Plate

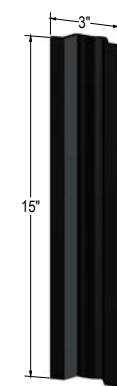


5" Porch Post Plate

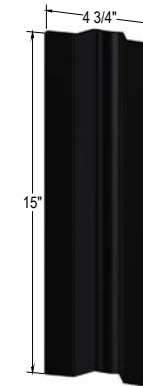


6" Porch Post Plate

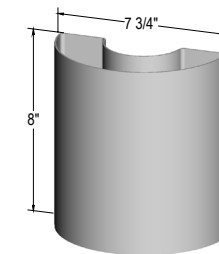
Part No.	Porch Post Plates	Qty.	White: 01	Almond: 03	Clay: 04	Black: 07
952040400-**-	4" Porch Post Plate	50	\$13.80ea.	\$15.18ea.	\$17.94ea.	\$20.01ea.
952045400-**-	4 1/2" Porch Post Plate	50	\$19.56ea.	\$21.52ea.	\$25.43ea.	n/a
952050400-**-	5" Porch Post Plate	50	\$19.30ea.	\$21.23ea.	\$25.09ea.	\$27.99ea.
952060400-**-	6" Porch Post Plate	40	\$27.66ea.	\$30.43ea.	\$35.96ea.	n/a



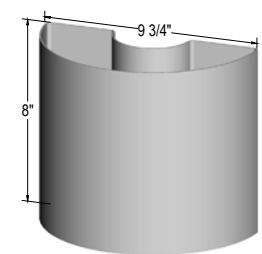
4"-5" Porch Post Pipe Spacer



6" Porch Post Pipe Spacer



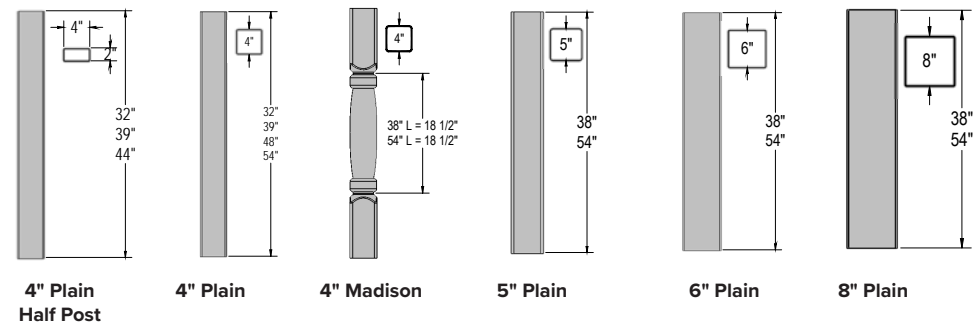
8" Round Column Pipe Spacer



10" Round Column Pipe Spacer

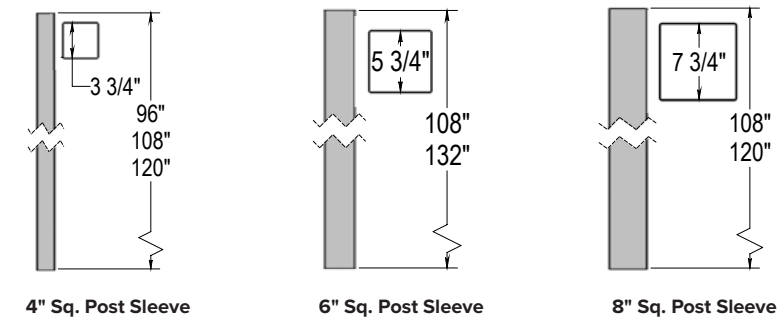
Part No.	Porch Post & Column Spacers	Qty.	List
613950155-**-	4"-5" x 15" Porch Post Pipe Spacer	2057	\$6.55ea.
613950156-**-	6" x 15" Porch Post Pipe Spacer	1260	\$13.07ea.
613980087-**-	8" Round Column Pipe Spacer	300	\$17.26ea.
613980089-**-	10" Round Column Pipe Spacer	175	\$21.60ea.

## NEWEL POSTS



Part No.	Newel Posts	Qty.	White: 01	Almond: 03	Clay: 04	Black: 07
211524320-**-	2" x 4" x 32" Plain Half Post		\$15.56ea.	\$17.11ea.	\$20.22ea.	n/a
211524390-**-	2" x 4" x 39" Plain Half Post		\$18.97ea.	\$20.87ea.	\$24.66ea.	n/a
211524440-**-	2" x 4" x 44" Plain Half Post		\$21.40ea.	\$23.54ea.	\$27.82ea.	n/a
211504320-**-	4" x 32" Plain (.150 Wall)	50	\$18.18ea.	\$20.00ea.	\$23.64ea.	n/a
211504395-**-	4" x 39" Plain (.115 Wall)	50	\$18.51ea.	n/a	n/a	\$26.84ea.
211504390-**-	4" x 39" Plain (.150 Wall)	50	\$22.16ea.	\$24.38ea.	\$28.81ea.	\$32.13ea.
211504485-**-	4" x 48" Plain (.115 Wall)	50	\$22.79ea.	n/a	n/a	n/a
211504480-**-	4" x 48" Plain (.150 Wall)	50	\$27.26ea.	\$29.99ea.	\$35.44ea.	\$39.53ea.
211504545-**-	4" x 54" Plain (.115 Wall)	50	\$25.63ea.	n/a	n/a	n/a
210304380-**-	4" x 38" Madison	60	\$57.43ea.	\$63.18ea.	\$74.66ea.	n/a
211504540-**-	4" x 54" Plain (.150 Wall)	50	\$30.68ea.	\$33.74ea.	\$39.88ea.	\$44.48ea.
210304540-**-	4" x 54" Madison (Stair)	60	\$83.39ea.	\$91.73ea.	\$108.41ea.	n/a
211505380-**-	5" x 38" Plain	48	\$23.26ea.	\$25.59ea.	\$30.24ea.	n/a
211505540-**-	5" x 54" Plain	48	\$33.05ea.	\$36.35ea.	\$42.96ea.	n/a
211506380-**-	6" x 38" Plain	36	\$43.24ea.	n/a	\$56.21ea.	n/a
211506540-**-	6" x 54" Plain	36	\$61.44ea.	n/a	\$79.87ea.	n/a
211508380-**-	8" x 38" Plain	25	\$85.73ea.	n/a	n/a	n/a
211508540-**-	8" x 54" Plain	25	\$121.83ea.	n/a	n/a	n/a

## POST SLEEVES



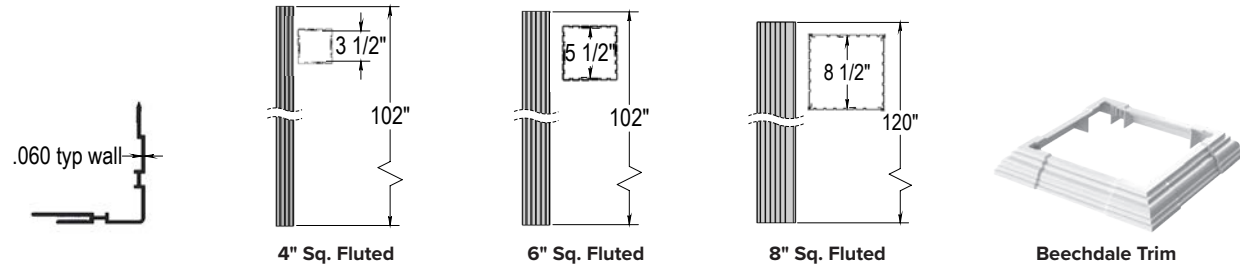
Part No.	Post Sleeves	Qty.	White: 01	Almond: 03	Clay: 04	Black: 07
299004096-**-	4" x 96" Post Sleeve (.115 Wall) ♦	55	\$40.38ea.	\$44.42ea.	\$52.50ea.	n/a
299004108-**-	4" x 108" Post Sleeve (.115 Wall) f	55	\$45.00ea.	\$49.50ea.	\$58.50ea.	\$65.25ea.
211504485-**-	4" x 48" Plain Newel Post (.115 Wall)	50	\$22.79ea.	n/a	n/a	n/a
211504480-**-	4" x 48" Plain Newel Post (.150 Wall)	50	\$27.26ea.	\$29.99ea.	\$35.44ea.	\$39.53ea.

Part No.	Post Sleeves	Qty.	White: 01	Almond: 03	Clay: 04	Black: 07
299004096-**-	4" x 96" Post Sleeve (.115 Wall)	55	\$40.38ea.	\$44.42ea.	\$52.50ea.	n/a
299004108-**-	4" x 108" Post Sleeve (.115 Wall)	55	\$45.00ea.	\$49.50ea.	\$58.50ea.	\$65.25ea.
299004120-**-	4" x 120" Post Sleeve (.115 Wall) ♦	55	\$49.64ea.	\$54.60ea.	\$64.53ea.	n/a
299006108-**-	6" x 108" Post Sleeve (.100 Wall) ♦	35	\$85.44ea.	\$93.99ea.	\$111.07ea.	\$123.89ea.
299006120-**-	6" x 120" Post Sleeve (.100 Wall) ♦	35	\$94.92ea.	\$104.41ea.	\$123.40ea.	n/a
299006132-**-	6" x 132" Post Sleeve (.100 Wall) ♦	35	\$104.40ea.	\$114.84ea.	\$135.72ea.	\$151.38ea.
299008108-**-	8" x 108" Post Sleeve (.140 Wall) (Boxed)	25	\$233.63ea.	\$256.99ea.	\$303.72ea.	n/a
299008120-**-	8" x 120" Post Sleeve (.140 Wall) (Boxed)	25	\$259.49ea.	\$285.44ea.	\$337.33ea.	\$376.26ea.

♦ Individually Bagged

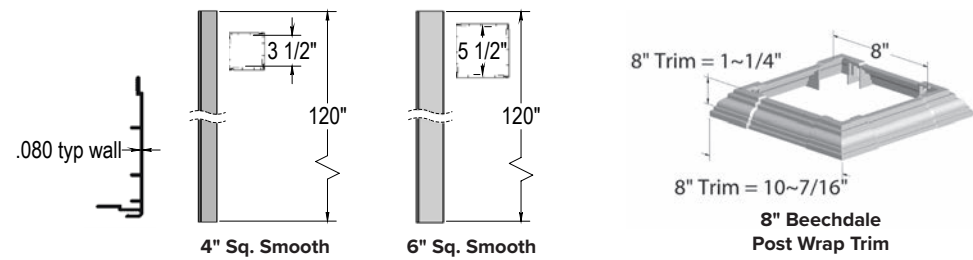


## POST WRAP



Part No.	Beechdale C-Post Wrap (Fluted)	Qty.	White: 01	Almond: 03	Clay: 04	Black: 07
299444102-**	4" x 4" x 8 1/2' C-Post Wrap (ea. = 4-Pcs.)	5	\$131.56ea.	n/a	n/a	n/a
299466102-**	6" x 6" x 8 1/2' C-Post Wrap (ea. = 4-Pcs.)	4	\$152.46ea.	n/a	n/a	n/a

Part No.	Beechdale Post Wrap (Fluted)	Qty.	White: 01	Almond: 03	Clay: 04	Black: 07
299288120-**	8" x 8" x 10' (ea. = 4-Pcs.)	2	\$316.34ea.	n/a	n/a	n/a

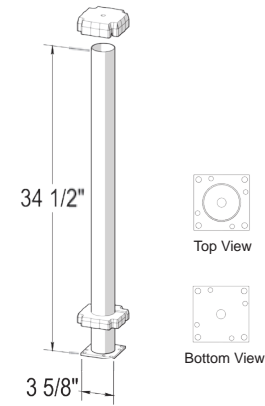


Part No.	Beechdale Post Wrap (Smooth)	Qty.	White: 01	Almond: 03	Clay: 04	Black: 07
299344120-**	4" x 4" x 10' (ea. = 4-Pcs.)	5	\$144.12ea.	n/a	n/a	n/a
299366120-**	6" x 6" x 10' (ea. = 4-Pcs.)	4	\$170.68ea.	n/a	n/a	n/a

Part No.	Beechdale Post Wrap Trim	Qty.	White: 01	Almond: 03	Clay: 04	Black: 07
959444000-**	4" Post Wrap (ea. = 4-Pcs.)		\$20.17ea.	n/a	n/a	n/a
959466000-**	6" Post Wrap (ea. = 4-Pcs.)		\$22.57ea.	n/a	n/a	n/a
959588000-**	8" Post Wrap (ea. = 4-Pcs.)		\$28.26ea.	n/a	n/a	n/a

## POST MOUNTS

### 8436G-NT Post Mount

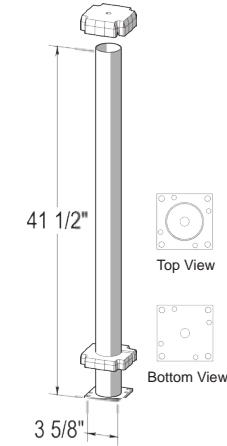


PULL TEST*	
IRC 1 & 2 Family	Yes
IBC Commercial	Up to 500 lbs.
Number of Mounting Holes	Four - 0.375"

\*All testing was conducted on "Simulated Concrete Mounting".

- Use:** (1) 4" x 4" Plain & (1) Turned Newel Posts  
**Also Included in Box:**  
 (1) Leveling Plate  
 (4) 3/8" x 1/2" SS Leveling Bolt - Set Screw  
 (2) 4" Poly Block Spacers

### 8442G-NT Post Mount



PULL TEST*	
IRC 1 & 2 Family	Yes
IBC Commercial	Up to 500 lbs.
Number of Mounting Holes	Four - 0.375"

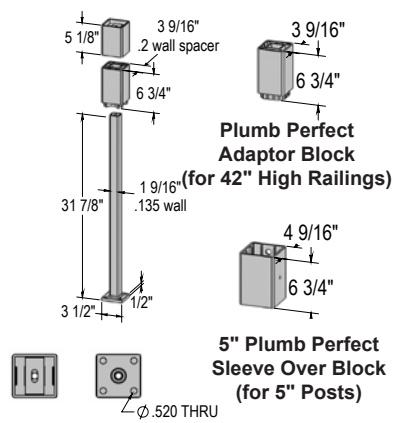
\*All testing was conducted on "Simulated Concrete Mounting".

- Use:** (1) 4" x 4" Plain & (1) Turned Newel Posts  
**Also Included in Box:**  
 (1) Leveling Plate  
 (4) 3/8" x 1/2" SS Leveling Bolt - Set Screw  
 (2) 4" Poly Block Spacers

Part No.	Post Mounts	Qty.	List
940843621-**	4" x 36" (4-Lag) 8436G-NT	100	\$81.78ea.
940844221-**	4" x 42" (4-Lag) 8442G-NT	100	\$87.41ea.
940050000-**	5" Adapter Block for 8436G-NT and 8442G-NT	50	\$25.81ea.
940060000-**	6" Adapter Block for 8436G-NT and 8442G-NT	50	\$37.22ea.

# POST MOUNTS

## 8436G-PP Post Mount



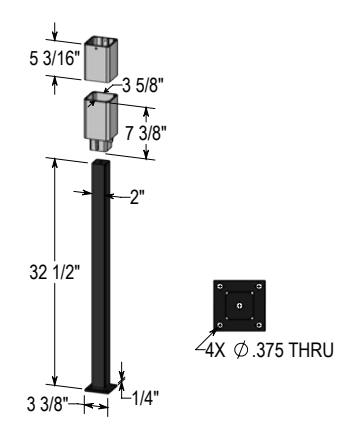
### PULL TEST\*

IRC 1 & 2 Family	Yes
IBC Commercial	Up to 750 lbs.
Number of Mounting Holes	Four - 0.520"
*All testing was conducted on "Simulated Concrete Mounting".	

**Use:** (1) 4" x 4" Plain & (1) 4" x 4" Turned Newel Post, Except 54"

**Also Included in Box:** (1) 4" Top Spacer Block w/Fastening Hardware  
(1) 4" Bottom Spacer Block (2) 5" Shims

## 8436G-AD Post Mount



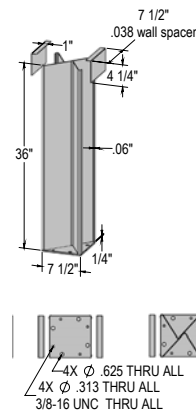
### PULL TEST\*

IRC 1 & 2 Family	N/A
IBC Commercial	N/A
Number of Mounting Holes	N/A
Pending	

**Use:** (1) 4" x 4" Plain & (1) 4" x 4" Turned Newel Post, Except 54"

**Also Included in Box:** (1) 4" Top Spacer Block w/Fastening Hardware  
(1) 4" Bottom Spacer Block (2) 5" Shims

## 8836S Post Mount



### PULL TEST\*

IRC 1 & 2 Family	Yes
IBC Commercial	Up to 1500 lbs.
Number of Mounting Holes	Four - 0.625"
*All testing was conducted on "Simulated Concrete Mounting".	

**Use:** 8" x 8" Plain Newel Post  
8" x 8" Recessed Panel Newel Post

**Also Included in Box:**  
(1) Leveling Plate  
(4) 3/8" x 1" Leveling Bolts  
(2) Aluminum Inserts

Part No.	Post Mounts	Qty.	List
940843627-**	4" x 36" Plumb Perfect Pro 8436G-PP	100	\$96.33ea.
940843628-**	4" x 36" Plumb Perfect Advantage 8436G-AD	110	\$83.89ea.
940044207-**	Plumb Perfect Adapter Block for 42" High Railing	50	\$19.02ea.
940050007-**	5" Plumb Perfect Sleeve Over Block	9	\$34.44ea.
940060007-**	6" Plumb Perfect Sleeve Over Block	9	\$49.94ea.
940024507-**	Plumb Perfect Deck Mount Kit	24	\$35.31ea.
940883610-**	8" x 36" (4-Lag) S.S. 8836S	30	\$215.99ea.
935015570-**	Underdeck 1/4" Bracket Kit w/Hardware		\$69.80ea.
935115570-**	Underdeck 1/4" Bracket Only		\$29.55ea.

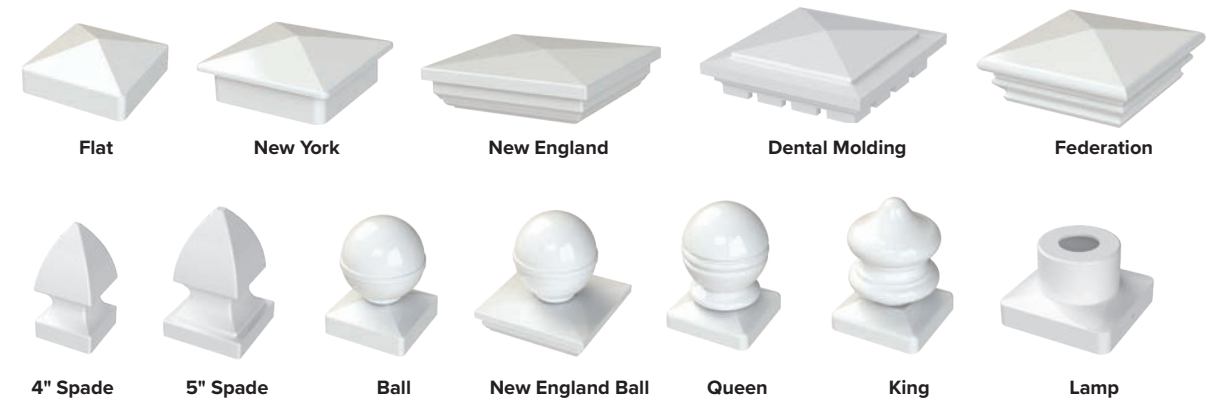
Plumb Perfect Advantage Post Mounts are not compatible with any 4" Molded Newel Posts.

Both Plumb Perfect Post Mounts are not compatible with 54" Molded Newel Posts.

# ACCESSORIES



## POST CAPS

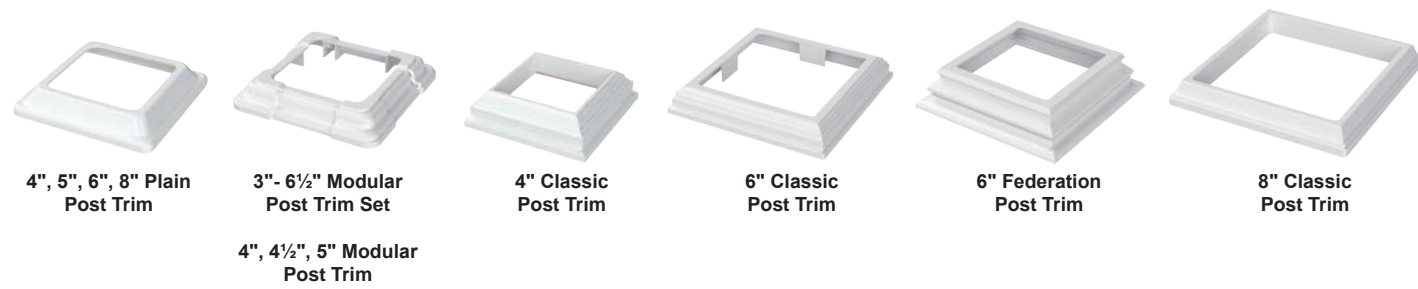


Part No.	Post Caps	Qty.	White: 01	Almond: 03	Clay: 04	Black: 07
910010400-**	4" Flat Cap	210	\$4.59ea.	\$5.05ea.	\$5.97ea.	\$6.66ea.
910011400-**	4" New York Cap	60	\$7.34ea.	\$8.07ea.	\$9.54ea.	n/a
910012400-**	4" New England Cap	32	\$14.71ea.	\$16.18ea.	\$19.12ea.	\$21.33ea.
910020400-**	4" Ball Cap	30	\$14.71ea.	\$16.18ea.	\$19.12ea.	n/a
910021400-**	4" Spade Cap	45	\$14.71ea.	\$16.18ea.	\$19.12ea.	\$21.33ea.
910022400-**	4" New England Ball Cap	32	\$20.85ea.	n/a	\$27.11ea.	n/a
910023400-**	4" Queen Cap	10	\$25.10ea.	\$27.61ea.	n/a	n/a
910024400-**	4" King Cap	30	\$25.10ea.	n/a	n/a	n/a
910010500-**	5" Flat Cap	160	\$4.86ea.	\$5.35ea.	\$6.32ea.	\$7.05ea.
910012500-**	5" New England Cap	60	\$16.33ea.	\$17.96ea.	\$21.23ea.	n/a
910020500-**	5" Ball Cap	24	\$16.33ea.	\$17.96ea.	\$21.23ea.	n/a
910021500-**	5" Spade Cap	45	\$16.33ea.	\$17.96ea.	\$21.23ea.	n/a
910010600-**	6" Flat Cap	100	\$20.89ea.	\$22.98ea.	\$27.16ea.	\$30.29ea.
910012600-**	6" New England Cap	32	\$33.99ea.	\$37.39ea.	\$44.19ea.	\$49.29ea.
910013600-**	6" Federation Cap	24	\$72.30ea.	n/a	n/a	n/a
910014600-**	6" Dental Molding Cap	24	\$33.99ea.	n/a	n/a	n/a
910011800-**	8" New York Cap	50	\$25.11ea.	n/a	n/a	n/a
910012800-**	8" New England Cap	8	\$37.46ea.	\$41.21ea.	\$48.70ea.	n/a
910012806-**	8" New England Cap w/6" Hole	8	\$44.91ea.	\$49.40ea.	\$58.38ea.	n/a

**Important Notifications:**  
*Qty.* indicates Box or Skid quantities. The \*\* in Part Number represents the color codes.

Terms: Net 30 days to approved accounts. Otherwise: Cash, check or money order. Prices F.O.B. New Holland, PA / Prices subject to change without notice.

## POST TRIM



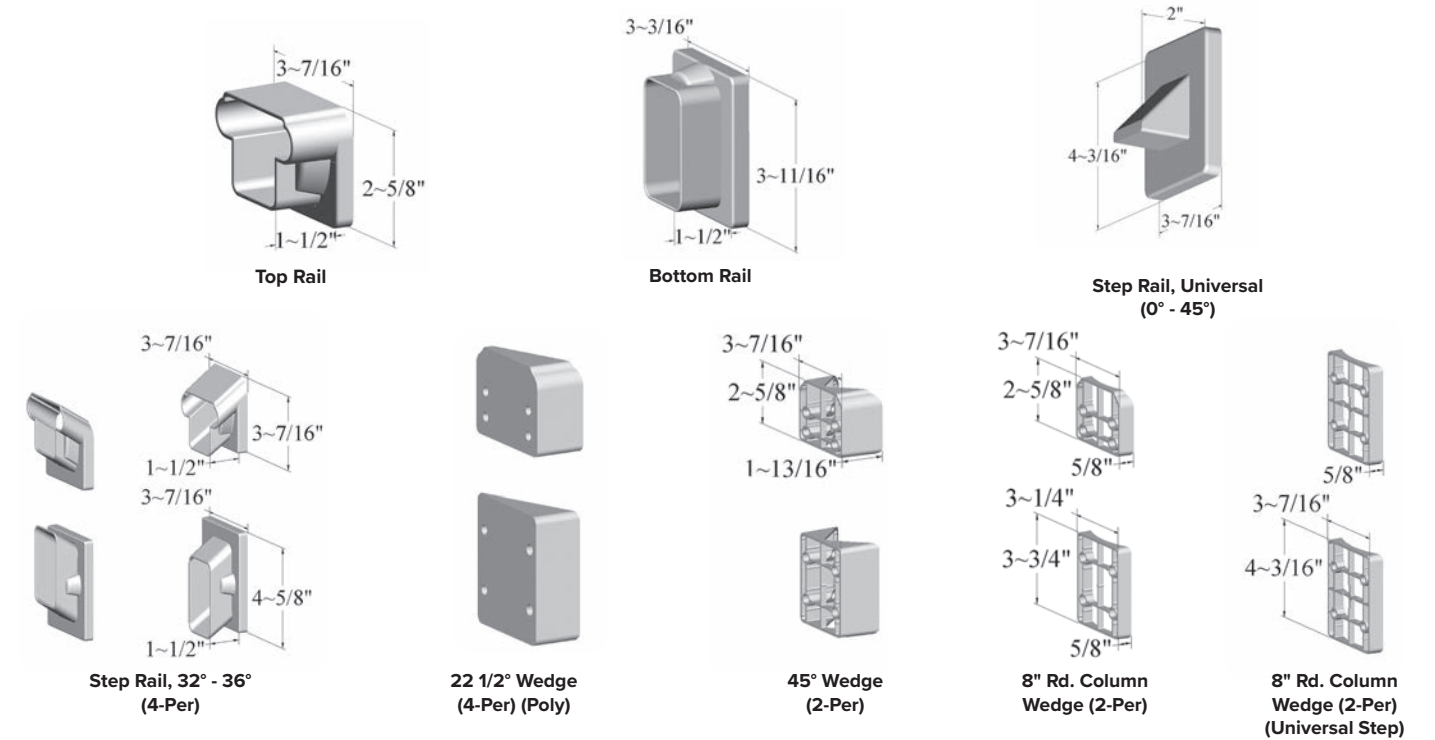
Part No.	Post Trim	Qty.	White: 01	Almond: 03	Clay: 04	Black: 07
950030360-**-**	3" - 6 1/2" Modular Trim Set (4-Pcs. Adjustable) †	40	\$24.25ea.	\$26.68ea.	\$31.53ea.	\$35.16ea.
950000400-**-**	4" Plain Post Trim	200	\$6.23ea.	\$6.85ea.	\$8.10ea.	\$9.03ea.
950020400-**-**	4" Classic Post Trim	32	\$7.15ea.	\$7.87ea.	\$9.30ea.	\$10.37ea.
950030400-**-**	4" Modular Trim Set (4-Pcs.)	60	\$19.30ea.	\$21.23ea.	n/a	n/a
950030450-**-**	4 1/2" Modular Trim Set (4-Pcs.)	60	\$19.95ea.	\$21.95ea.	n/a	n/a
950000500-**-**	5" Plain Post Trim	100	\$11.78ea.	\$12.96ea.	\$15.31ea.	\$17.08ea.
950030500-**-**	5" Modular Trim Set (4-Pcs.) ‡	40	\$20.58ea.	\$22.64ea.	\$26.75ea.	n/a
950000600-**-**	6" Plain Post Trim	80	\$16.34ea.	\$17.97ea.	\$21.24ea.	\$23.69ea.
950020600-**-**	6" Classic Post Trim ◆	56	\$25.46ea.	\$28.01ea.	\$33.10ea.	\$36.92ea.
950040600-**-**	6" Federation Post Trim	24	\$17.34ea.	\$19.07ea.	\$22.54ea.	\$25.14ea.
950000800-**-**	8" Plain Post Trim	100	\$18.19ea.	n/a	n/a	n/a
950020800-**-**	8" Classic Post Trim	14	\$26.56ea.	\$29.22ea.	\$34.53ea.	n/a

† 3 - 6 1/2" Modular Trim is adjustable from 3 - 6 1/2" and has a square corner radius.

‡ Corner radius of 5" Modular Trim matches 5" Turned Posts.

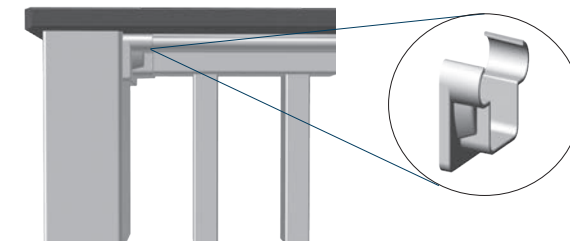
◆ Corner radius of 6" Classic Trim matches 6" Recessed Panel Posts.

## 200 SERIES BRACKETS & WEDGES



### Deckboard Mounting Kit

Includes:  
 2 - Top Brackets (Modified)  
 Screws for Brackets  
 12 - #8 x 1 1/2" Screws  
 (Color-matched to railing, to fasten deckboard to top rail.)



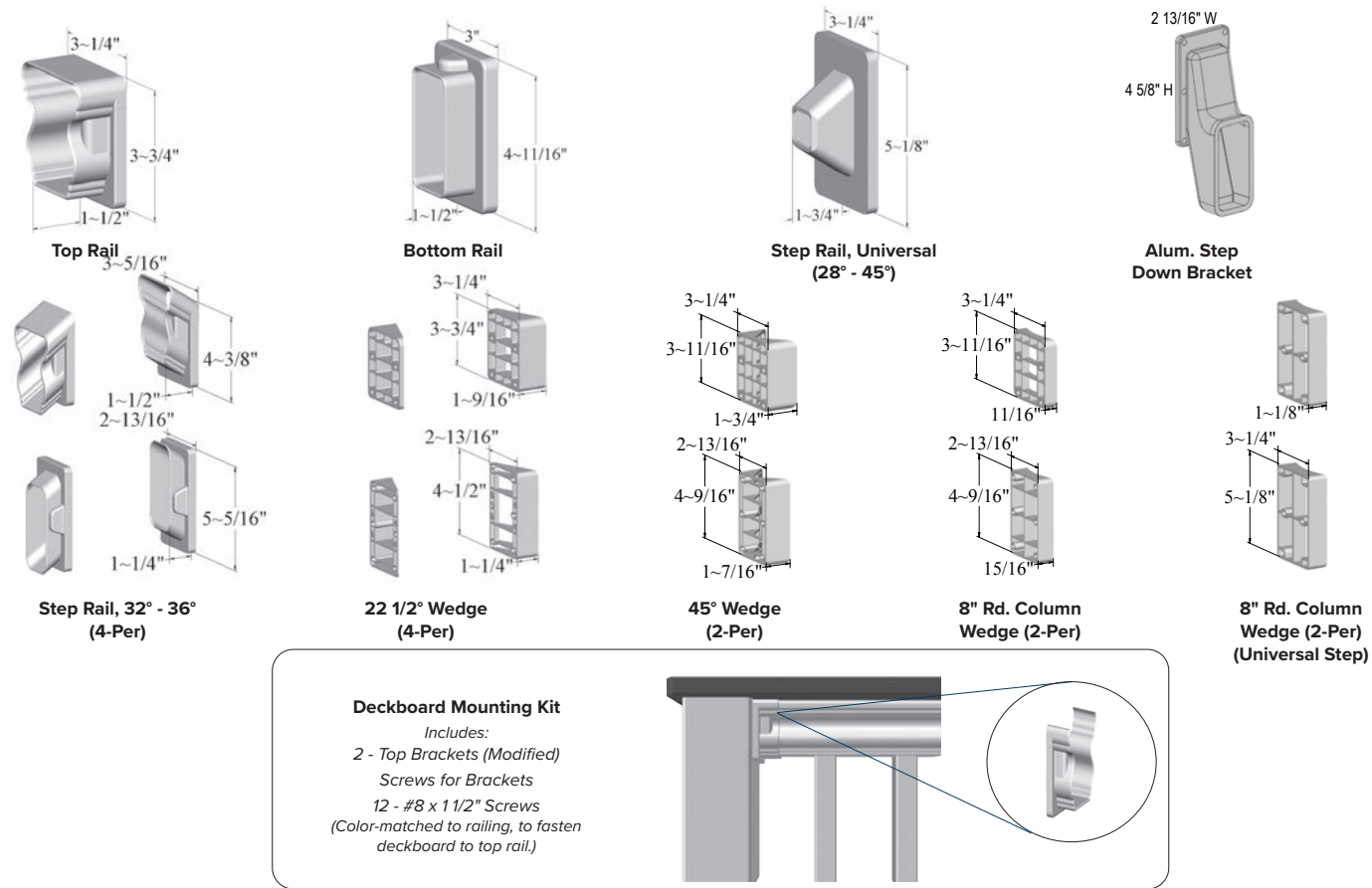
Part No.	Level Mounting Brackets / Wedges (200 Series)	Qty.	White: 01	Almond: 03	Clay: 04	Black: 07
930120400-**-**	Level Rail, (4/Pk)	42	\$25.06pk.	n/a	\$32.58pk.	\$36.34pk.
930120409-**-**	Level Deckboard Mounting Kit (2/Pk)	84	\$13.78pk.	n/a	\$17.91pk.	\$19.98pk.
930120001-**-**	Level Top Rail (w/Screw Covers) >Bulk<	150	\$5.01ea.	n/a	\$6.51ea.	\$7.26ea.
930120011-**-**	Level Bottom Rail (w/Screw Covers) >Bulk<	150	\$5.01ea.	n/a	\$6.51ea.	\$7.26ea.
931120220-**-**	22 1/2° Wedge (4/Pk) (Poly)		\$17.24pk.	n/a	\$22.41pk.	\$25.00pk.
931120450-**-**	45° Wedge (2/Pk)	84	\$7.84pk.	n/a	\$10.19pk.	\$11.37pk.
931120080-**-**	8" Rd. Column Wedge (2/Pk)	84	\$7.84pk.	n/a	\$10.19pk.	n/a
931540401-**-**	4" x 4" x 11 3/4" Poly Block		\$27.54ea.	\$30.29ea.	\$35.80ea.	\$39.93ea.

Part No.	Stair Mounting Brackets / Wedges (200 Series)	Qty.	White: 01	Almond: 03	Clay: 04	Black: 07
930220400-**-**	Stair Rail, 32° - 36° (4/Pk)	42	\$25.06pk.	n/a	\$32.58pk.	\$36.34pk.
930220004-**-**	Universal Stair Rail, 0° - 45° (4/Pk)	42	\$25.06pk.	n/a	\$32.58pk.	\$36.34pk.
930220409-**-**	Stair Deckboard Mounting Kit (2/Pk)	84	\$13.78pk.	n/a	\$17.91pk.	\$19.98pk.
931220080-**-**	8" Rd. Column Wedge (Universal Stair) (2/Pk)	84	\$7.84pk.	n/a	\$10.19pk.	n/a
931540401-**-**	4" x 4" x 11 3/4" Poly Block		\$27.54ea.	\$30.29ea.	\$35.80ea.	\$39.93ea.

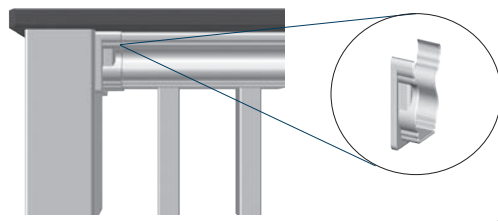
Mounting Bracket 4/Pk contains two top brackets and two bottom brackets

† Bulk Brackets - Sold in box quantities only! (Does not include screws.)

# 3000 SERIES BRACKETS & WEDGES



**Deckboard Mounting Kit**  
Includes:  
2 - Top Brackets (Modified)  
Screws for Brackets  
12 - #8 x 1 1/2" Screws  
(Color-matched to railing, to fasten deckboard to top rail.)

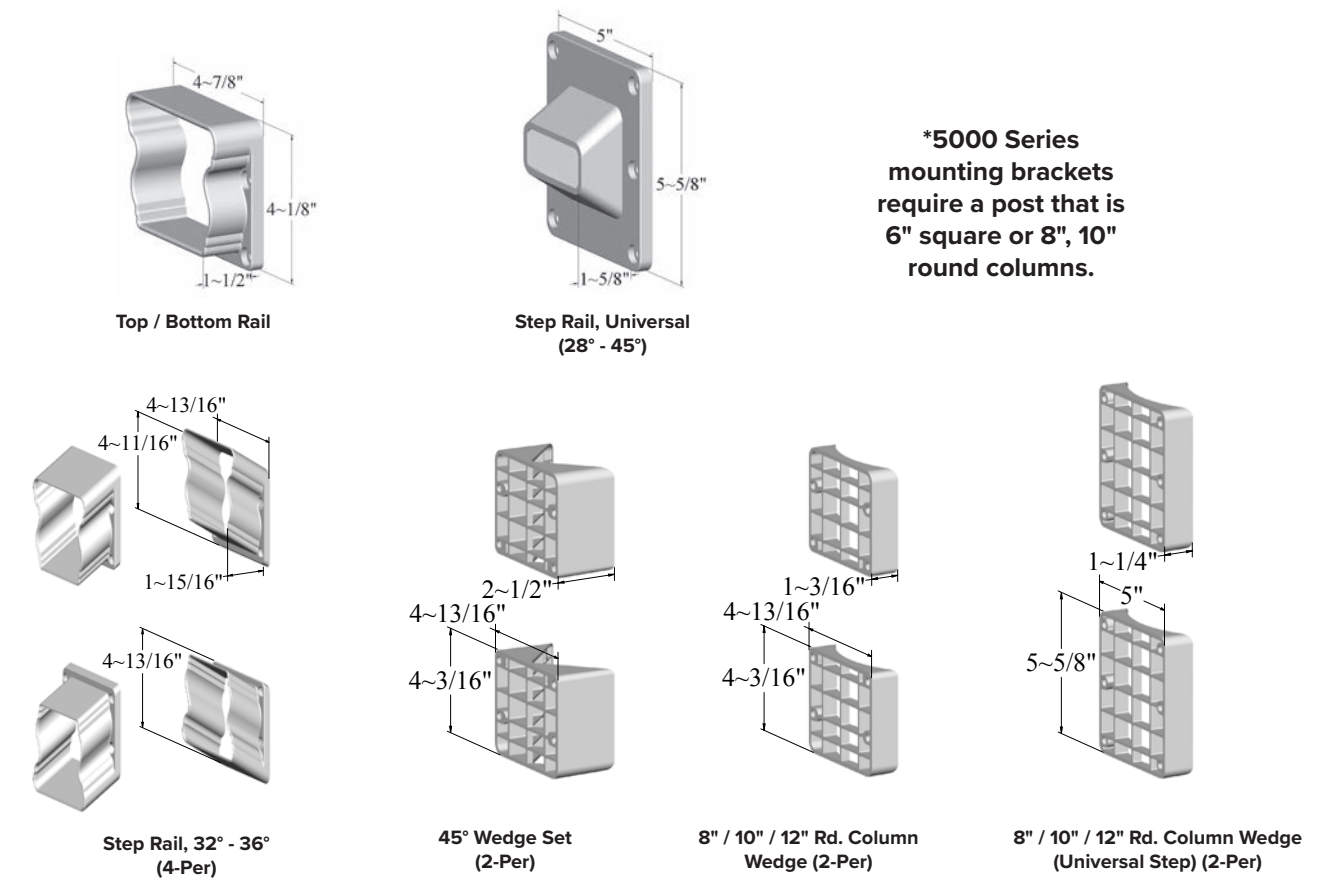


Part No.	Level Mounting Brackets / Wedges (3000 Series)	Qty.	White: 01	Almond: 03	Clay: 04	Black: 07
930130400-**	Level Rail, (4/Pk)	42	\$32.85pk.	\$36.14pk.	\$42.71pk.	\$47.63pk.
930130409-**	Level Deckboard Mounting Kit (2/Pk)	84	\$18.07pk.	\$19.88pk.	\$23.49pk.	\$26.20pk.
930130001-**	Level Top Rail (w/Screw Covers) >Bulk<	200	\$6.00ea.	\$6.60ea.	\$7.80ea.	\$8.70ea.
930100001-**	Level Bottom Rail (w/Screw Covers) >Bulk<	200	\$6.00ea.	\$6.60ea.	\$7.80ea.	\$8.70ea.
930100240-**	Aluminum Step Down Bracket	36	\$41.21ea.	\$45.33ea.	\$53.57ea.	n/a
931130220-**	22 1/2° Wedge (4/Pk)	84	\$20.59pk.	\$22.65pk.	\$26.77pk.	\$29.86pk.
931130450-**	45° Wedge (2/Pk)	84	\$10.29pk.	\$11.32pk.	\$13.38pk.	\$14.92pk.
931130060-**	6" Rd. Column Wedge (2/Pk)	84	\$10.29pk.	\$11.32pk.	\$13.38pk.	\$14.92pk.
931130100-**	8" or 10" Rd. Column Wedge (2/Pk)	84	\$10.29pk.	\$11.32pk.	n/a	n/a
931540401-**	4" x 4" x 11 3/4" Poly Block		\$27.54ea.	\$30.29ea.	\$35.80ea.	\$39.93ea.

Part No.	Stair Mounting Brackets / Wedges (3000 Series)	Qty.	White: 01	Almond: 03	Clay: 04	Black: 07
930230400-**	Stair Rail, 32°-36° (4/Pk)	42	\$32.85pk.	\$36.14pk.	\$42.71pk.	\$47.63pk.
930200004-**	Universal Stair Rail, 28° - 45° (4/Pk)	42	\$32.85ea.	\$36.14ea.	\$42.71ea.	\$47.63ea.
930230409-**	Stair Deckboard Mounting Kit (2/Pk)	84	\$18.07pk.	\$19.88pk.	\$23.49pk.	\$26.20pk.
931200080-**	8" Rd. Column Wedge (Universal Stair) (2/Pk)	84	n/a	n/a	n/a	\$14.92pk.
931200100-**	10" Rd. Column Wedge (Universal Stair) (2/Pk)	84	\$10.29pk.	n/a	n/a	n/a
931540401-**	4" x 4" x 11 3/4" Poly Block		\$27.54ea.	\$30.29ea.	\$35.80ea.	\$39.93ea.

† Bulk Brackets - Sold in box quantities only! (Does not include screws.)

# 5000 SERIES BRACKETS & WEDGES



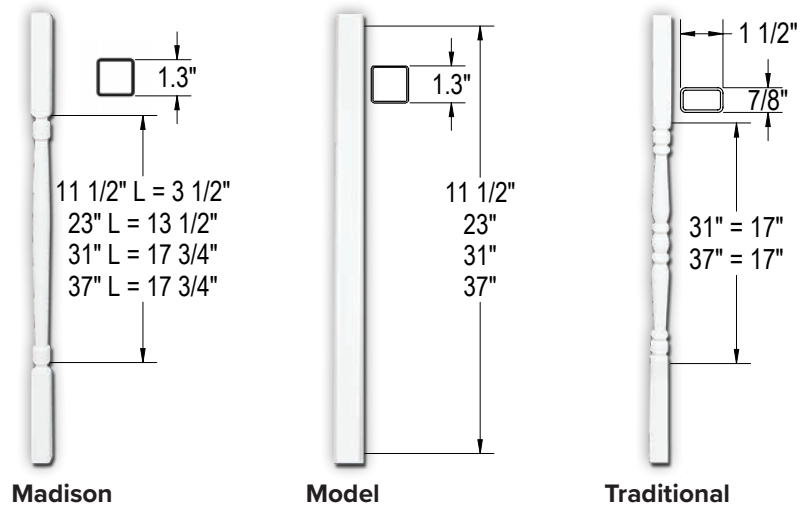
**\*5000 Series mounting brackets require a post that is 6" square or 8", 10" round columns.**

Part No.	Level Mounting Brackets / Wedges (5000 Series)	Qty.	White: 01	Almond: 03	Clay: 04	Black: 07
930150400-**	Level Rail, (4/Pk)	30	\$49.29pk.	n/a	\$64.08pk.	n/a
931150450-**	45° Wedge (2/Pk)	30	n/a	n/a	\$54.21pk.	n/a
931150080-**	8" Rd Column Wedge (2/Pk)	30	\$41.70pk.	n/a	n/a	n/a
931150100-**	10" Rd Column Wedge (2/Pk)	30	\$41.70pk.	n/a	\$54.21pk.	n/a
931150120-**	12" Rd Column Wedge (2/Pk)	30	\$41.70pk.	n/a	\$54.21pk.	n/a

Part No.	Stair Mounting Brackets / Wedges (5000 Series)	Qty.	White: 01	Almond: 03	Clay: 04	Black: 07
930250400-**	Stair Rail, 32°-36° (4/Pk)	30	\$49.29pk.	n/a	\$64.08pk.	n/a
930250004-**	Universal Stair Rail, (4/Pk)	30	\$49.29pk.	n/a	n/a	n/a
931250080-**	8" Rd Column Wedge (Universal Stair) (2/Pk)	30	\$41.70pk.	n/a	\$54.21pk.	n/a
931250100-**	10" Rd Column Wedge (Universal Stair) (2/Pk)	30	\$41.70pk.	n/a	\$54.21pk.	n/a
931250120-**	12" Rd Column Wedge (Universal Stair) (2/Pk)	30	\$41.70pk.	n/a	\$54.21pk.	n/a

ACCESSORIES

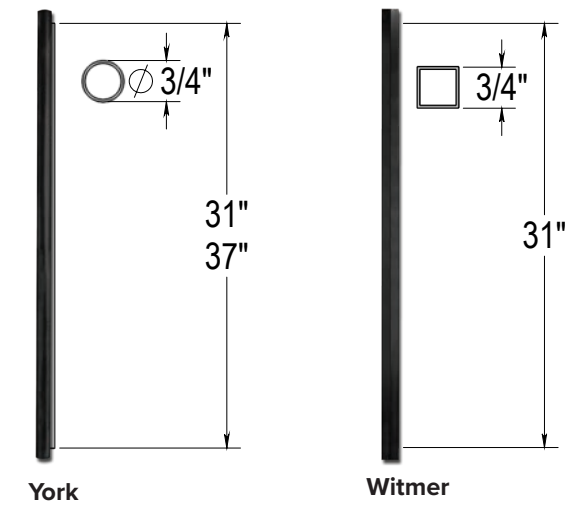
## BALUSTERS



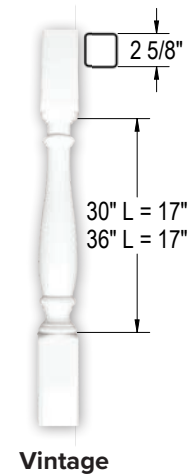
Part No.	Vinyl Balusters	Qty.	White: 01	Almond: 03	Clay: 04	Black: 07
130350115-**-**	11 1/2" Madison	45	\$3.00ea.	\$3.30ea.	\$3.90ea.	n/a
131551115-**-**	11 1/2" Model	45	\$1.60ea.	\$1.76ea.	\$2.08ea.	n/a
130350230-**-**	23" Madison	15	\$5.84ea.	\$6.42ea.	\$7.59ea.	n/a
131550230-**-**	23" Model	15	\$3.19ea.	\$3.51ea.	\$4.15ea.	n/a
130350310-**-**	31" Madison	15	\$6.36ea.	\$7.00ea.	\$8.27ea.	\$9.22ea.
131550310-**-**	31" Model	15	\$4.30ea.	\$4.73ea.	\$5.59ea.	\$6.24ea.
130450310-**-**	31" Traditional	15	\$6.36ea.	\$7.00ea.	\$8.27ea.	n/a
130350370-**-**	37" Madison	15	\$7.37ea.	\$8.11ea.	\$9.58ea.	n/a
131550370-**-**	37" Model	15	\$5.14ea.	\$5.65ea.	\$6.68ea.	\$7.45ea.
130450370-**-**	37" Traditional	15	\$7.37ea.	\$8.11ea.	\$9.58ea.	n/a

11 1/2" balusters for 12" trim railing, 23" balusters for 30" railing, 31" balusters for 36" railing, 37" balusters for 42" railing.

## BALUSTERS

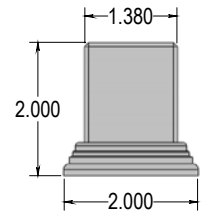


Part No.	Aluminum Balusters	Qty.	White: 01	Black: 07	Bronze: 08	Kona: 10
132550310-**-**	31" York	100	\$6.28ea.	n/a	n/a	\$6.28ea.
132650310-**-**	31" Witmer	100	\$6.28ea.	n/a	n/a	\$6.28ea.
132550370-**-**	37" York	100	\$7.51ea.	n/a	n/a	\$7.51ea.



Part No.	5000 Series Balusters	Qty.	White: 01	Almond: 03	Clay: 04	Black: 07
155050300-**-**	30" Vintage		\$28.00ea.	n/a	\$36.40ea.	n/a
155050360-**-**	36" Vintage		\$29.76ea.	n/a	\$38.69ea.	n/a

# RAIL STABILIZERS & SLEEVE OVERS

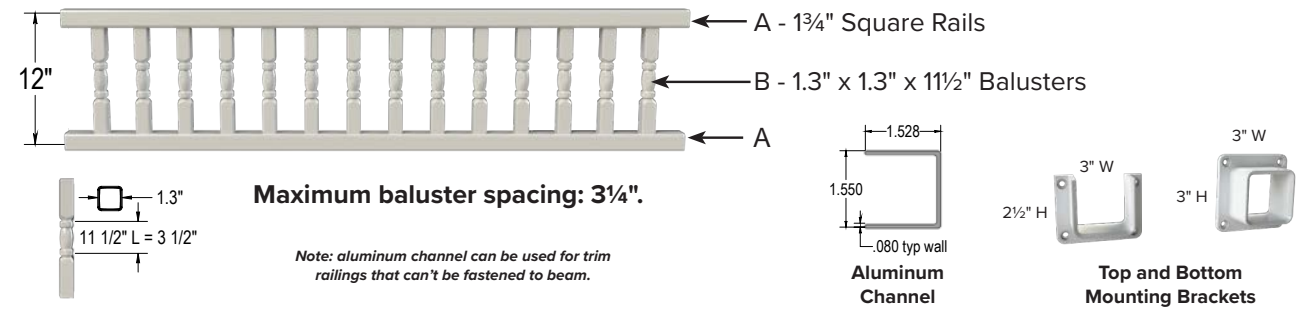


Bottom Rail Stabilizer

Part No.	Bottom Rail Stabilizers & Sleeve Overs	Qty.	White: 01	Almond: 03	Clay: 04	Black: 07
994000000-**-**	Bottom Rail Stabilizers	50	\$8.81ea.	\$9.69ea.	\$11.45ea.	\$12.77ea.
612030188-**-**	18" - 1 3/4" x 3 1/2" Sleeve Over		\$4.71ea.	\$5.19ea.	\$6.13ea.	n/a

† No Quantity Discount

# TRIM RAILING



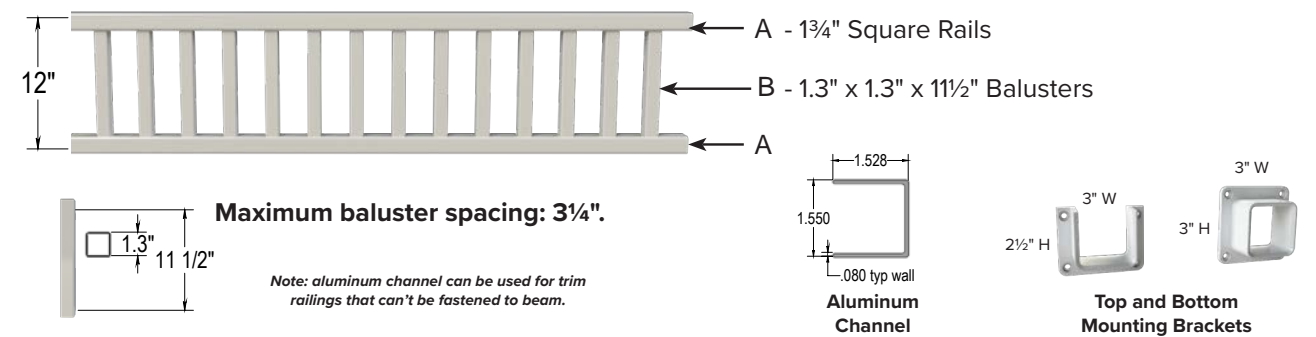
Part No.	12" High Madison Trim Railing	Qty.	White: 01	Almond: 03	Clay: 04	Black: 07
100375120-**-**	Special Length Railing		\$26.07ea.	\$28.68ea.	\$33.89ea.	n/a
100375126-**-**	6' Boxed Section		\$132.59ea.	\$145.85ea.	\$172.37ea.	n/a
100375128-**-**	8' Boxed Section		\$176.77ea.	\$194.45ea.	\$229.80ea.	n/a
100375121-**-**	10' Boxed Section		\$220.98ea.	\$243.08ea.	\$287.27ea.	n/a

↔ Specify Length (Does not include Brackets)

Part No.	Trim Rail Mounting Brackets	Qty.	White: 01	Almond: 03	Clay: 04	Black: 07
930101420-**-**	Top and Bottom Rail, (4/PK)	42	\$20.65pk.	\$22.72pk.	\$26.85pk.	n/a

Part No.	Aluminum Channel	MSL	List
651170000-**-**	1 3/4" Sq. Rail Aluminum U-Channel	95"	\$5.44ea.

↔ Specify Length (Does not include Brackets)



Part No.	12" High Model Trim Railing	Qty.	White: 01	Almond: 03	Clay: 04	Black: 07
101575120-**-**	Special Length Railing		\$24.00ea.	\$26.40ea.	\$31.20ea.	n/a
101575126-**-**	6' Boxed Section		\$121.93ea.	\$134.12ea.	\$158.51ea.	n/a
101575128-**-**	8' Boxed Section		\$162.58ea.	\$178.84ea.	\$211.35ea.	n/a
101575121-**-**	10' Boxed Section		\$203.23ea.	\$223.55ea.	\$264.20ea.	n/a

↔ Specify Length (Does not include Brackets)

Part No.	Trim Rail Mounting Brackets	Qty.	White: 01	Almond: 03	Clay: 04	Black: 07
930101420-**-**	Top and Bottom Rail, (4/PK)	42	\$20.65pk.	\$22.72pk.	\$26.85pk.	n/a

Part No.	Aluminum Channel	MSL	List
651170000-**-**	1 3/4" Sq. Rail Aluminum U-Channel	95"	\$5.44ea.

↔ Specify Length (Does not include Brackets)

## FASTENERS & TOOLS

Part No.	Screws	Qty.	White: 01	Almond: 03	Clay: 04	Black: 07	Unpainted: 00
980008050-**-**	#8 x 1/2" SS Pan Head #2 Sq Dr Sharp Tip	14000	\$0.25ea.	n/a	n/a	n/a	n/a
980008100-**-**	#8 x 1" SS Pan Head #2 Sq Dr Drill Tip		\$0.25ea.	\$0.25ea.	\$0.25ea.	\$0.25ea.	\$0.16 ea.
980008200-**-**	#8 x 2" SS Pan Head #2 Sq Dr Drill Tip	3500	n/a	\$0.32ea.	n/a	n/a	\$0.29 ea.
981114103-**-**	#14 X 1" SS Flat Head #3 Phillips Dr Sharp Tip	5000	\$0.41ea.	\$0.47ea.	\$0.47ea.	n/a	\$0.41 ea.
980014103-**-**	#14 x 1" SS Pan Head #3 Sq Dr Drill Tip	4500	\$0.41ea.	\$0.47ea.	\$0.47ea.	n/a	\$0.41 ea.
981114153-**-**	#14 X 1 1/2" SS Flat Head #3 Phillips Dr Sharp Tip	3000	\$0.41ea.	n/a	n/a	n/a	n/a
980014303-**-**	#14 x 3" SS Pan Head #3 Sq Dr Sharp Tip	1000	\$0.84ea.	n/a	n/a	n/a	n/a
980014403-**-**	#14 x 4" SS Pan Head #3 Sq Dr Sharp Tip	600	\$1.17ea.	\$1.29ea.	\$1.29ea.	\$1.29ea.	\$1.17 ea.
980014403-**-**	#14 x 4" SS Pan Head #3 Sq Dr Sharp Tip	600	\$1.17ea.	\$1.29ea.	\$1.29ea.	\$1.29ea.	\$1.17

Sizes and prices subject to change based on availability

Part No.	Snap Caps	Qty.	White: 01	Almond: 03	Clay: 04	Black: 07
985000000-**-**	Snap Cap	5000	\$0.27ea.	\$0.30ea.	\$0.34ea.	\$0.38ea.

Part No.	Washers	Qty.	List
985100000-**-**	Snap Cap Washer	5000	\$0.27ea.

† Snap caps and washers only work for #8 screws.

Part No.	Pop Rivets	Qty.	White: 01	Almond: 03	Clay: 04	Black: 07
996500000-**-**	Pop Rivets	4000	\$0.38ea.	\$0.42ea.	\$0.49ea.	n/a

Part No.	Wire Clips	Qty.	White: 01	Almond: 03	Clay: 04	Black: 07
995000000-**-**	Wire Clips (Includes Screws)	5000	\$1.29ea.	\$1.42ea.	n/a	\$1.87ea.

Part No.	Misc. Fasteners & Driver Bits	Qty.	List
987550405-**-**	1/2" x 4" Wedge Bolt	300	\$3.55ea.
985530351-**-**	19/64" x 3 1/2" GRK Caliburn Concrete Screw	400	\$2.40ea.
985531402-**-**	5/16" x 4" GRK SS Phoenix Wood Screw	400	\$1.93ea.
999900000-**-**	Drill Driver Bit T-40 (For Concrete GRK Screws)		\$2.10ea.
999900100-**-**	Drill Driver Bit T-30 (For Wood GRK Screws)		\$2.10ea.

## GLUE & PACKAGING SUPPLIES

Part No.	White Glue	Qty.	White: 01	Almond: 03	Clay: 04	Black: 07
992000150-**-**	1 1/2 Oz. T-Christy Red Hot Glue	24	\$12.14ea.	n/a	n/a	n/a
992000800-**-**	8 Oz. T-Christy Red Hot Glue	8	\$49.64ea.	n/a	n/a	n/a

Part No.	Clear Glue	Qty.	List
991000400-**-**	4 Oz. Can Glue	24	\$7.17ea.
992000800-**-**	8 Oz. T-Christy Red Hot Glue	8	\$28.95ea.
992012800-**-**	Gallon Glue, Heavy Duty Clear	6	\$196.54ea.

Part No.	Packaging Supplies	Qty.	List
999312055-**-**	5 1/2" Cable Ties (1000/Pk)	1000	\$43.80ea.
999418800-**-**	18" Stretch Wrap (1500/Pk)	1500	\$38.63ea.
999508800-**-**	8 1/2" Clear Tube Bag (800/Pk)		\$232.78ea.
999510800-**-**	10 1/2" Clear Tube Bag (800/Pk)		\$306.72ea.
999511800-**-**	11 1/2" Clear Tube Bag (800/Pk)		\$317.68ea.
999512800-**-**	12 1/2" Clear Tube Bag (800/Pk)		\$334.12ea.
999515800-**-**	15 1/4" Clear Tube Bag (800/Pk)		\$438.20ea.



# GATE HARDWARE AND ACCESSORIES



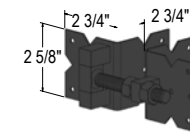
**D&D Technologies**  
Hi-Performance Hardware



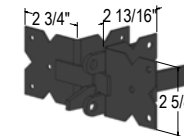
**Important Notifications:**  
*Qty. indicates Box or Skid quantities. The \*\* in Part Number represents the color codes.*

Terms: Net 30 days to approved accounts. Otherwise:  
Cash, check or money order. Prices F.O.B. New Holland,  
PA / Prices subject to change without notice.

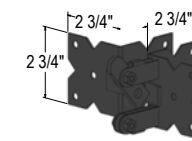
## DEPEND-A-BULL GATE HARDWARE



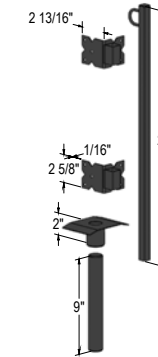
**Residential Hinge Set**



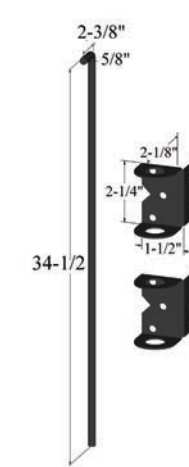
**Residential 2-Way Latch Set**



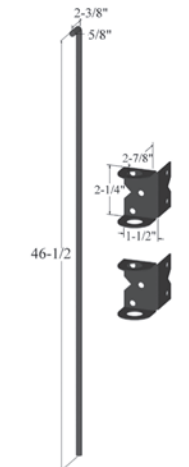
**Residential Latch Set**



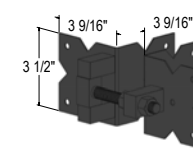
**Residential Drop Pin Kit**



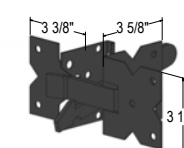
**34" Residential Drop Pin Kit**



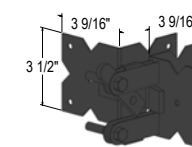
**46" Residential Drop Pin Kit**



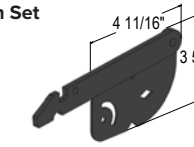
**Commercial Hinge Set**



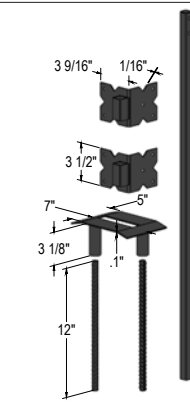
**Commercial 2-Way Latch Set**



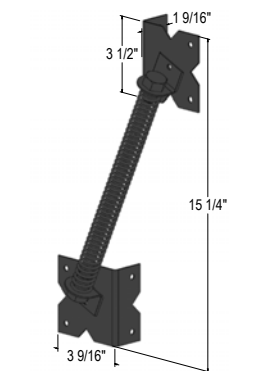
**Commercial Latch Set**



**Commercial 2-Way Latch Lock**



**Commercial Drop Pin Kit**



**Commercial Spring Set**

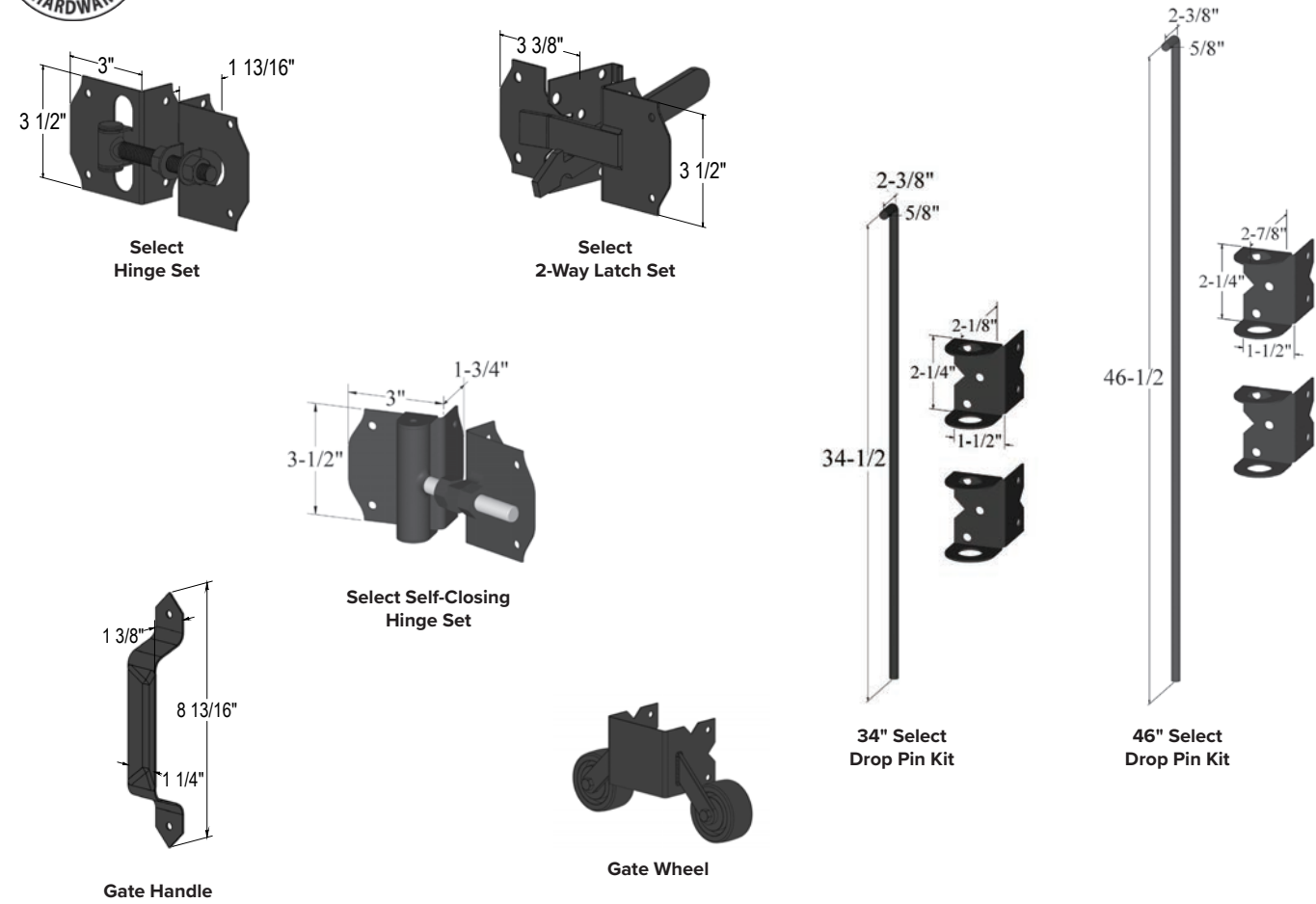
Part No.	Gate Hardware (Residential)	Qty.	White: 01	Black: 07
933000000-**	Residential Hinge	12	n/a	\$100.54set
933010000-**	Residential Latch	24	n/a	\$47.66ea.
933010200-**	Residential 2-Way Latch	24	n/a	\$43.87ea.
933020000-**	Residential Drop Pin Kit	10	n/a	\$91.00ea.
933020340-**	34" Residential Drop Pin Kit	10	n/a	\$101.35ea.
933020460-**	46" Residential Drop Pin Kit	10	n/a	\$110.44ea.

**Residential Gate Hardware is Stainless Steel and made for use on 3 1/2" and 4" Square Posts. (Ideal Gap = 3/4")**

Part No.	Gate Hardware (Commercial)	Qty.	White: 01	Black: 07
933100000-**	Commercial Hinge	10	n/a	\$119.82set
933110000-**	Commercial Latch	12	n/a	\$59.03ea.
933110200-**	Commercial 2-Way Latch	12	n/a	\$51.79ea.
933110210-**	Commercial 2-Way Latch Lock	12	n/a	\$27.52ea.
933120000-**	Commercial Drop Pin Kit	10	n/a	\$111.56ea.
933130000-**	Commercial Spring	10	n/a	\$91.20ea.

**Commercial Gate Hardware is Stainless Steel and made for use on 4" or Larger Posts. (Ideal Gap = 1 1/4")**

# DEPEND-A-BULL GATE HARDWARE

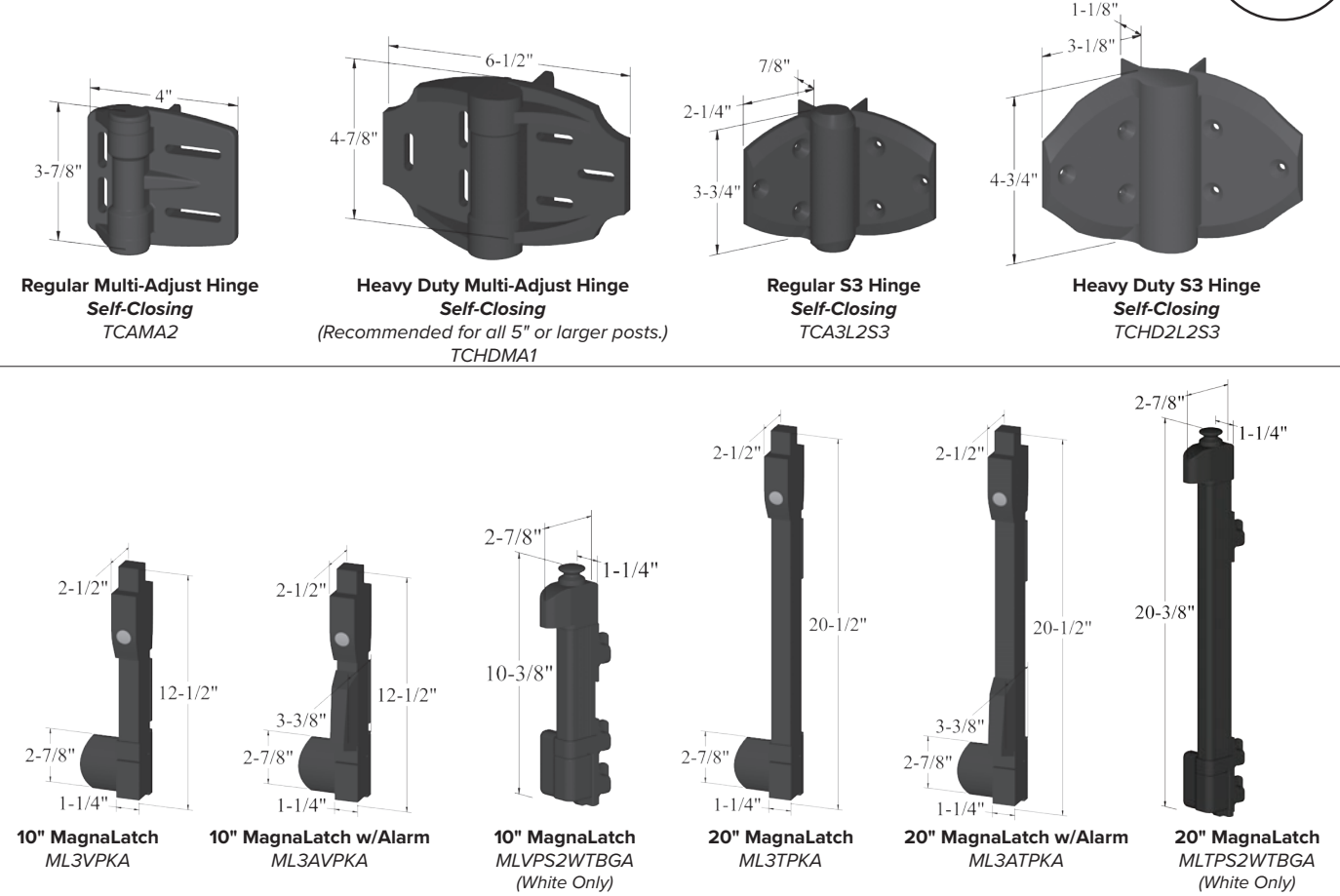


Part No.	Gate Hardware (Select)	Qty.	White: 01	Black: 07
933200000- <sup>**</sup>	Select Hinge	12	\$89.79set	\$89.79set
933200020- <sup>**</sup>	Select Self Closing Hinge	24	n/a	\$165.65set
933210200- <sup>**</sup>	Select 2-Way Latch	12	\$43.76ea.	\$43.76ea.
933220340- <sup>**</sup>	34" Select Drop Pin Kit	10	n/a	\$101.35ea.
933220460- <sup>**</sup>	46" Select Drop Pin Kit	10	\$110.44ea.	\$110.44ea.

Select Gate Hardware is Stainless Steel and made for use on 3 1/2" and 4" Square Posts. (Ideal Gap = 1")

Part No.	Gate Accessories	Qty.	White: 01	Black: 07
933560000- <sup>**</sup>	Aluminum Gate Handle	40	n/a	\$13.74ea.
933550400- <sup>**</sup>	4" Gate Wheel	10	n/a	\$65.65ea.
933550500- <sup>**</sup>	5" Gate Wheel	10	n/a	\$65.65ea.

# D&D GATE HARDWARE

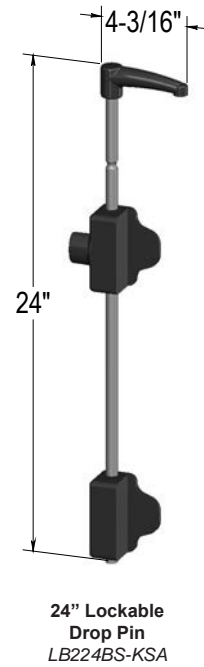
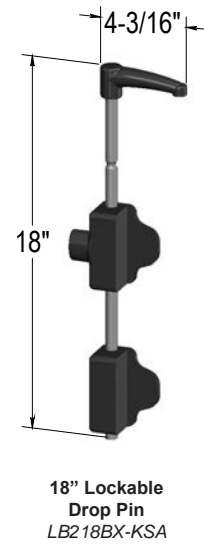
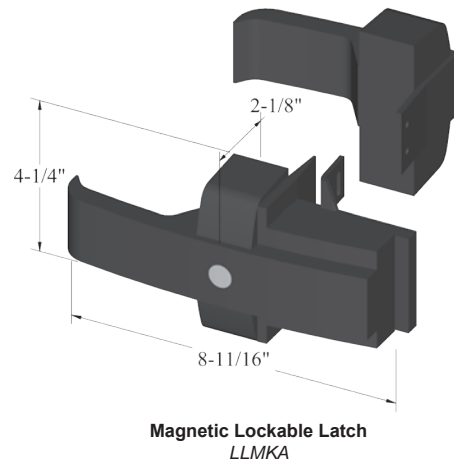
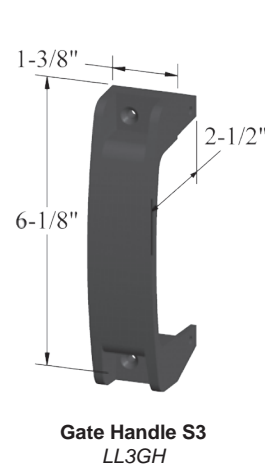
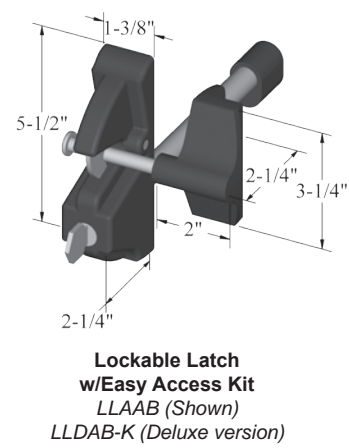
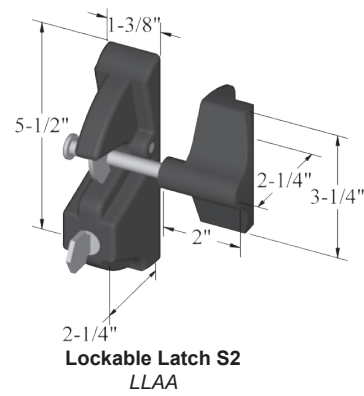


Part No.	Gate Hardware (D&D - TruClose)	Qty.	White: 01	Black: 07
930302120- <sup>**</sup>	Regular Multi-Adjust Hinge (TCAMA2)	20	\$148.11set	\$148.11set
930302220- <sup>**</sup>	Heavy Duty Multi-Adjust Hinge (TCHDMA1)	10	\$199.73set	\$199.73set
930303123- <sup>**</sup>	Regular S3 Hinge (TCA3L2S3)	20	\$89.83set	n/aset
930303223- <sup>**</sup>	Heavy Duty S3 Hinge (TCHD2L2S3)	10	n/a	\$152.43set

Part No.	Gate Hardware (D&D - MagnaLatch)	Qty.	White: 01	Black: 07
930343120- <sup>**</sup>	10" Vertical Pull MagnaLatch (ML3VPKA) †	10	n/a	\$188.54ea.
930343220- <sup>**</sup>	20" Top Pull MagnaLatch (ML3TPKA) †	10	n/a	\$199.10ea.
930342120- <sup>**</sup>	10" Vertical Pull MagnaLatch (MLVPS2WTBGA)	10	\$188.54ea.	n/a
930342220- <sup>**</sup>	20" Top Pull MagnaLatch (MLTPS2WTBGA)	10	\$199.10ea.	n/a
930343121- <sup>**</sup>	10" Vertical MagnaLatch w/Alarm (ML3AVPKA) †	5	n/a	\$551.14ea.

† Keyed-Alike

# D&D GATE HARDWARE

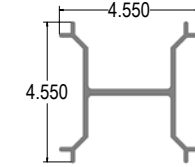
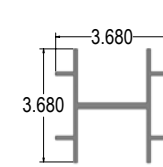


Part No.	Gate Hardware (D&D - LOKKLATCH)	Qty.	White: 01	Black: 07
930312010-**	Lockable Latch S2 (LLAA)	20	\$74.23ea.	\$74.23ea.
930312210-**	Lockable Latch w/Easy Access Kit (LLAAB)	20	n/a	\$122.78ea.
930313020-**	Deluxe Lockable Latch w/EAK (LLDAB-KSA)	10	n/a	\$334.72ea.
930315020-**	Magnetic Lockable Latch (LLMKA)	10	n/a	\$253.38ea.
930312110-**	External Access Kit (LLB)	50	n/a	\$52.84ea.
930363000-**	Gate Handle S3 (LL3GH)	50	n/a	\$14.14ea.

Part No.	Gate Hardware (D&D - LOKKBOLT)	Qty.	White: 01	Black: 07
930351183-**	18" Lockable Drop Pin (LB218BX-KSA) ♦	10	n/a	\$201.19ea.
930351243-**	24" Lockable Drop Pin (LB224BX-KSA) ♦	10	n/a	\$223.30ea.
930350000-**	Lockable Drop Pin Plate	10	n/a	\$35.00ea.

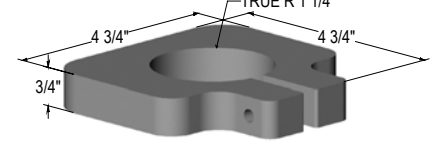
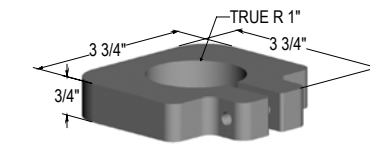
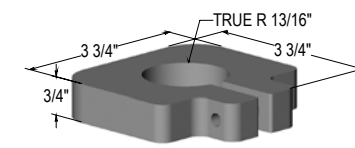
♦ Keyed-Alike

# POST INSERTS, PIPE CLAMPS



Part No.	Aluminum Post Inserts	Qty.	List
958040600-**	4" x 60" Aluminum Post Insert	20	\$89.96ea.
958040720-**	4" x 72" Aluminum Post Insert	20	\$107.95ea.
958050780-**	5" x 78" Aluminum Post Insert	16	\$146.39ea.
958050960-**	5" x 96" Aluminum Post Insert	16	\$180.20ea.
958050962-**	5" x 96" Aluminum Post Insert (For .250 Wall Posts)	16	\$198.63ea.

(No Mix & Match)

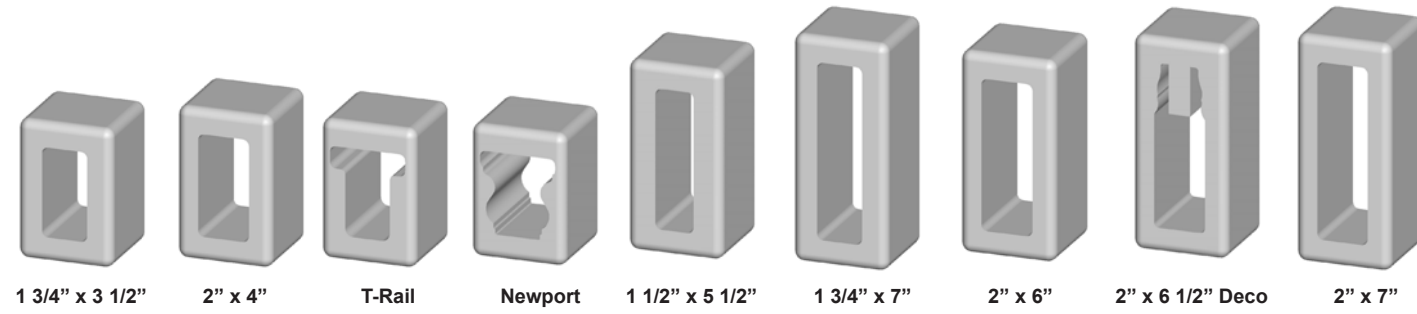


Part No.	Pipe Clamps	Qty.	List
993040160-**	4" Pipe Clamps (1 5/8" Pipe) (3/Pk)		\$29.67ea.
993040200-**	4" Pipe Clamps (2" Pipe) (3/Pk)		\$29.67ea.
993050250-**	5" Pipe Clamps (2 1/2" Pipe) (3/Pk)		\$44.53ea.

GATE HARDWARE

GATE HARDWARE

## GATE BLOCKS, SCREWS



Part No.	Gate Blocks	Qty.	List
932617364-**	1 3/4" x 3 1/2" x 4" Gate Block (Sq. Corner)	32	\$29.41ea.
932620404-**	Full 2" x 4" x 4" Gate Block	32	\$30.92ea.
932610004-**	4" T-Rail Gate Block	32	\$26.93ea.
932630004-**	4" Newport Gate Block	32	\$29.41ea.
932615554-**	1 1/2" x 5 1/2" x 4" Gate Block	32	\$34.87ea.
932617704-**	1 3/4" x 7" x 4" Gate Block	32	\$41.77ea.
932620604-**	2" x 6" x 4" Gate Block	32	\$36.76ea.
932620654-**	2" x 6 1/2" x 4" Deco Rail Gate Block	32	\$39.05ea.
932620704-**	2" x 7" x 4" Gate Block	32	\$41.77ea.

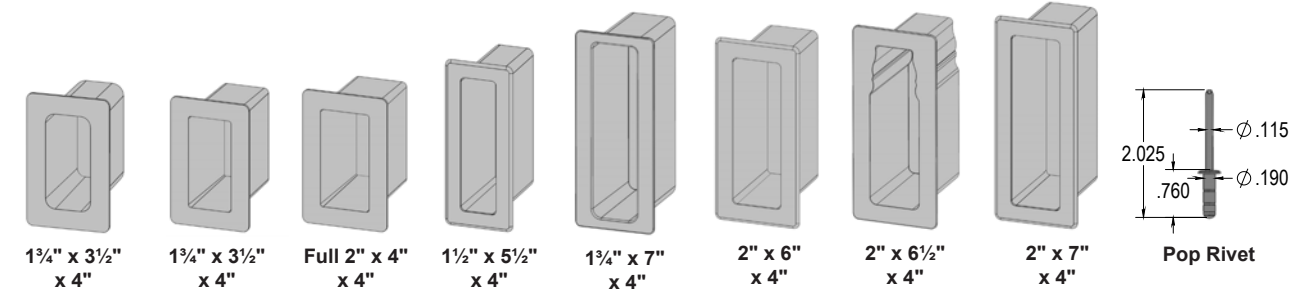
1/4" x 6" Gate Block Screw

1/4" x 8" Gate Block Screw

1/4" x 10" Gate Block Screw

Part No.	Gate Block Screws	Qty.	List
985625600-**	1/4" x 6" Gate Block Screw	250	\$1.11ea.
985625800-**	1/4" x 8" Gate Block Screw	450	\$1.67ea.
985625990-**	1/4" x 10" Gate Block Screw	350	\$2.47ea.

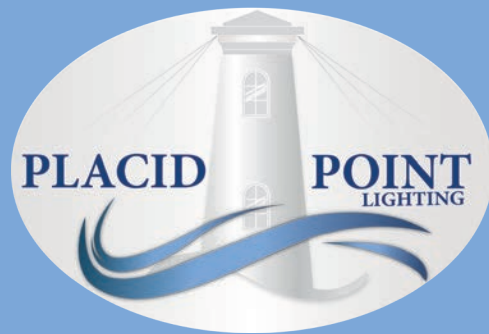
## GATE SOCKETS



Part No.	Gate Sockets	Qty.	White: 01	Almond: 03	Clay: 04	Black: 07
932517354-**	1 3/4" x 3 1/2" x 4" Gate Socket	50	\$6.86ea.	n/a	n/a	n/a
932517364-**	1 3/4" x 3 1/2" x 4" Gate Socket (Square Corner)	54	\$6.86ea.	n/a	n/a	n/a
932520404-**	Full 2" x 4" x 4" Gate Socket	75	\$7.30ea.	n/a	n/a	n/a
932515554-**	1 1/2" x 5 1/2" x 4" Gate Socket	100	\$7.30ea.	n/a	n/a	n/a
932517704-**	1 3/4" x 7" x 4" Gate Socket	24	\$9.93ea.	n/a	\$12.91ea.	n/a
932520604-**	2" x 6" x 4" Gate Socket (Square Corner)	72	\$9.91ea.	n/a	\$12.88ea.	n/a
932520654-**	2" x 6 1/2" x 4" Deco Rail Gate Sockets	50	\$9.93ea.	n/a	\$12.91ea.	n/a
932520704-**	2" x 7" x 4" Gate Socket	48	\$9.93ea.	n/a	\$12.91ea.	n/a

Part No.	Pop Rivets	Qty.	White: 01	Almond: 03	Clay: 04	Black: 07
996500000-**	Pop Rivets	4000	\$9.93ea.	n/a	\$12.91 ea.	n/a

# OUTDOOR LED LIGHTING



Create stunning focal points and add atmosphere and safety to your outdoor living space with lighting. Our lighting is designed to pair with railing for a beautiful, seamless look. Post cap and accent lights are made from diecast aluminum and powder-coated to match our vinyl railing and posts exactly. The high-quality coating means that the lights will retain their good looks for years.

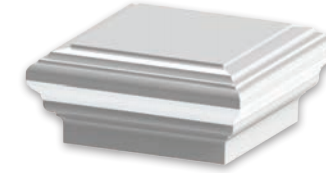
Superior's electrical engineers and experts have refined our lights for a long-lasting and easy-to-use system that brings exceptional outdoor lighting to your deck or porch.

**Important Notifications:**  
Qty. indicates Box or Skid quantities. The \*\* in Part Number represents the color codes.

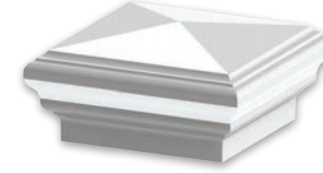
Terms: Net 30 days to approved accounts. Otherwise: Cash, check or money order. Prices F.O.B. New Holland, PA / Prices subject to change without notice.



## PLACID POINT LIGHTING



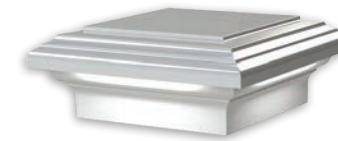
**4" Decorative  
Post Cap Light**



**4" Pyramid  
Post Cap Light**

### POST CAP LIGHTS

- Frosted lens diffuses light outward
- Create stunning effects around decks and yard
- Cap size available for 4" Posts
- Adapter available to fit 5" Posts
- 2.4 watt 3000k LED



**4" Decorative  
Post Cap Down Light**



**4" Pyramid  
Post Cap Down Light**

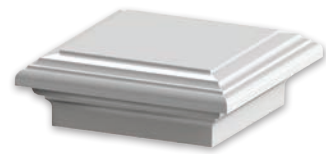
### POST CAP DOWNLIGHTS

- Features 4 lights shining downward
- Our brightest light for maximum effect
- Cap size available for 4" Posts
- Adapter available to fit 5" Posts
- .96 watt 3000k LED

Part No.	Post Cap Lights	Qty.	White: 01	Almond: 03	Clay: 04	Black: 07
912327400-**	4" Decorative Post Cap Light	8	\$83.78 ea.	\$104.73 ea.	\$104.73 ea.	\$83.78 ea.
912329400-**	4" Pyramid Post Cap Light	8	\$83.78 ea.	\$104.73 ea.	\$104.73 ea.	\$83.78 ea.

Part No.	Post Cap Down Lights	Qty.	White: 01	Almond: 03	Clay: 04	Black: 07
912318400-**	4" Decorative Post Cap Down Light	8	\$83.78 ea.	\$104.73 ea.	\$104.73 ea.	\$83.78 ea.
912320400-**	4" Pyramid Post Cap Down Light	8	\$83.78 ea.	\$104.73 ea.	\$104.73 ea.	\$83.78 ea.

## PLACID POINT LIGHTING



4" Decorative Post Cap



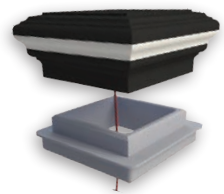
4" Pyramid Post Cap



Post & Stair Accent Light



Post & Stair Accent Light



5" Post Cap Adaptor (for 4" Post Caps)



### POST CAPS (Without Lights)

- Complements Placid Point lighting fixtures
- Perfect for additional options and layouts
- Creates economical price point for lighting projects
- Cap size available for 4" Posts
- Adapter available to fit 5" Posts

### POST & STAIR ACCENT LIGHT

- Perfect for posts, stair risers or deck fascia
- Low-profile downlight with small footprint
- Safely lights decks, steps and walkways
- 2" wide x 1" high • .72 watt 3000k LED

### 5" POST ADAPTERS

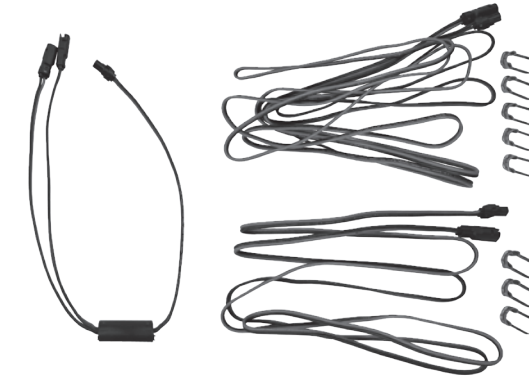
- Adapter available to fit 5" Posts
- Uses 4" Cap for 5" Post

Part No.	Post Caps (Without Lights)	Qty.	White: 01	Almond: 03	Clay: 04	Black: 07
912315400-**	4" Decorative Post Cap	8	\$31.74 ea.	\$39.68 ea.	\$39.68 ea.	\$31.74 ea.
912316400-**	4" Pyramid Post Cap	8	\$31.74 ea.	n/a	n/a	\$31.74 ea.

Part No.	Additional Accents	Qty.	White: 01	Almond: 03	Clay: 04	Black: 07
912341000-**	Post & Stair Accent Light	50	\$30.94 ea.	\$38.68 ea.	\$30.94 ea.	\$38.68 ea.

Part No.	Adaptors	Qty.	White: 01	Almond: 03	Clay: 04	Black: 07
912375050-**	5" Post Cap Adaptor	50	\$22.58 ea.	\$28.23 ea.	\$28.23 ea.	\$22.58 ea.

## PLACID POINT LIGHTING



Post Light Wire Kit\* (2-Way Splitter, 5' & 9' Wire Extension)

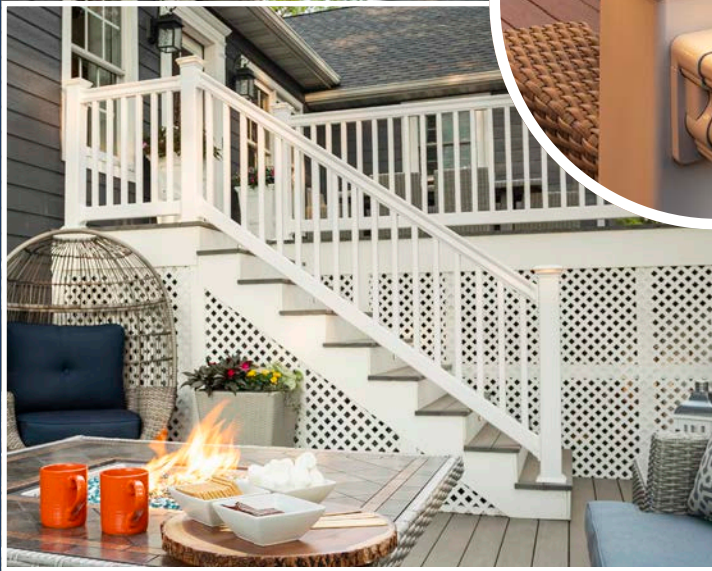
\*not suitable for ground contact



Power Supply w/ Control Hub (Control Hub Shown)

Part No.	Lighting Accessories	Qty.	List
912360001-**	Post Light Wire Kit (2-Way Splitter, 5' & 9' Ext.)		\$46.19 ea.
912370002-**	2' Wire Extension		\$10.00 ea.
912370005-**	5' Wire Extension		\$13.91 ea.
912370009-**	9' Wire Extension		\$16.70 ea.
912372000-**	2-Way Wire Splitter		\$18.03 ea.
912373000-**	3-Way Wire Splitter		\$31.31 ea.

Part No.	Power Supplies	Qty.	White: 01	Almond: 03	Clay: 04	Black: 07
912350060-**	60 Watt Power Supply (w/Control Hub)		\$268.03 ea.	\$335.04 ea.	\$335.04 ea.	\$268.03 ea.



**SUPERIOR**<sup>™</sup>  
PLASTIC PRODUCTS



[superiorplasticproducts.com](http://superiorplasticproducts.com)

260 Jalyn Drive, New Holland, PA 17557

Toll Free: 1-800-633-7093

© 2023 Superior Plastic Products | SPPPB230308