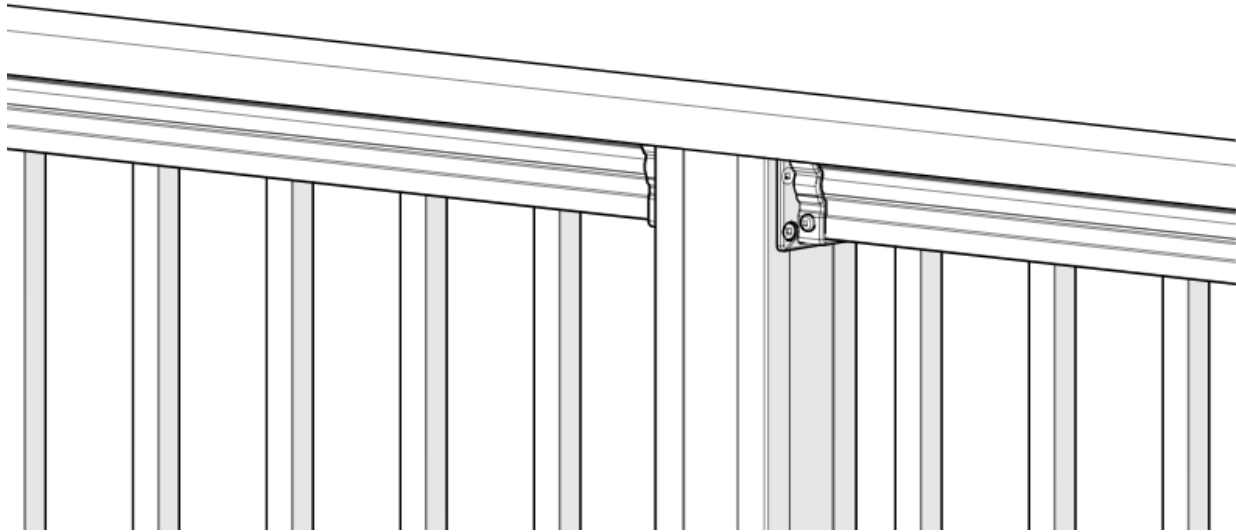




American Series DECKBOARD BRACKETS



Deckboard Bracket Installation

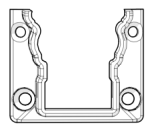
***Before Installing Deckboard, please read through each step performing only Step 1 before referring to the installation guide included with your aluminum railing. NOTE: These deckboard mounting brackets will replace the regular Top Rail mounting brackets included with the section of railing.**

Recommended Tools

- Safety Glasses
- Tape Measure & Pencil
- Level
- Power Drill w/ Square bit
- Drill Bits (3/16", 3/8")
- Saw w/fine-tooth aluminum cutting blade

What's Included

- Deckboard Mounting Brackets (2)
- #10 Screws - 1" Long (5)
- #12 Screws - 1" Long (5)
- Pan-Head Screws - 3/4" Long (5)
- 3/8" Access Hole Plugs (5)



Deckboard Mounting
Bracket



Pan-Head Screws



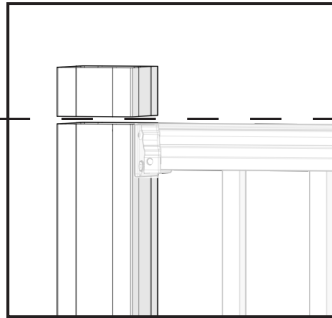
Flat Head Screws

- *These directions are only a guide and may not address every situation.*
- *Always wear proper safety equipment while assembling and installing.*
- *The installer should obtain all required building permits and follow all installation procedures in accordance with applicable building code requirements.*
- *Key-Link Fencing and Railing Inc. shall not be held liable for improper or unsafe installations.*
- *Applying paint, other than Key-Link's touch up paint, will void your warranty.*
- *To ensure proper coverage by our warranty please visit our website and complete the warranty form and mail to: Key-Link Fencing & Railing, Inc., 150 Orlan Road, New Holland, PA 17557*

1 Cut Posts to Height

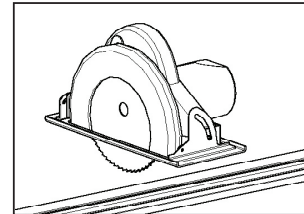
Posts are provided at a standard height, and must be cut to length (Prior to section's installation).

Refer to Aluminum Railing Installation guide for Top Rail height, and cut Posts to match overall height



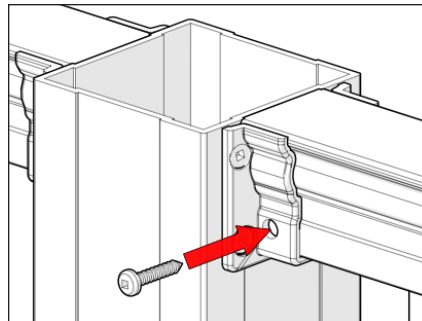
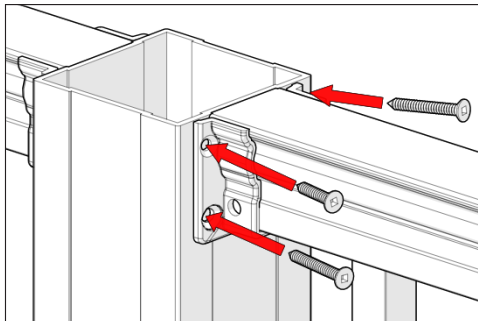
! Cutting Tip

Be sure to use a **fine-tooth blade approved for cutting aluminum** and rest rails on a piece of **non-abrasive material** to protect from scratches.



2 Install Mounting Brackets

Drive a provided screw through each hole in the rail mounting bracket into the post.

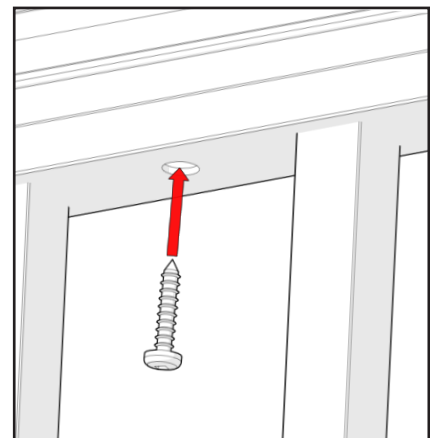


3 Install Deckboard

When fastening the deckboard to the top rail it is recommended to drill 3/16" pilot holes up through the top rail, spaced around 18" and staggered side-to-side for optimum stability.

Then enlarge the pilot holes on the underside (bottom face only) to create 3/8" access holes for the screw heads.

Use proper length screws (not included) to attach deckboard, then cover access holes with included 3/8" hole plugs.



150 Orlan Road • New Holland, PA 17557

KeyLinkOnline.com